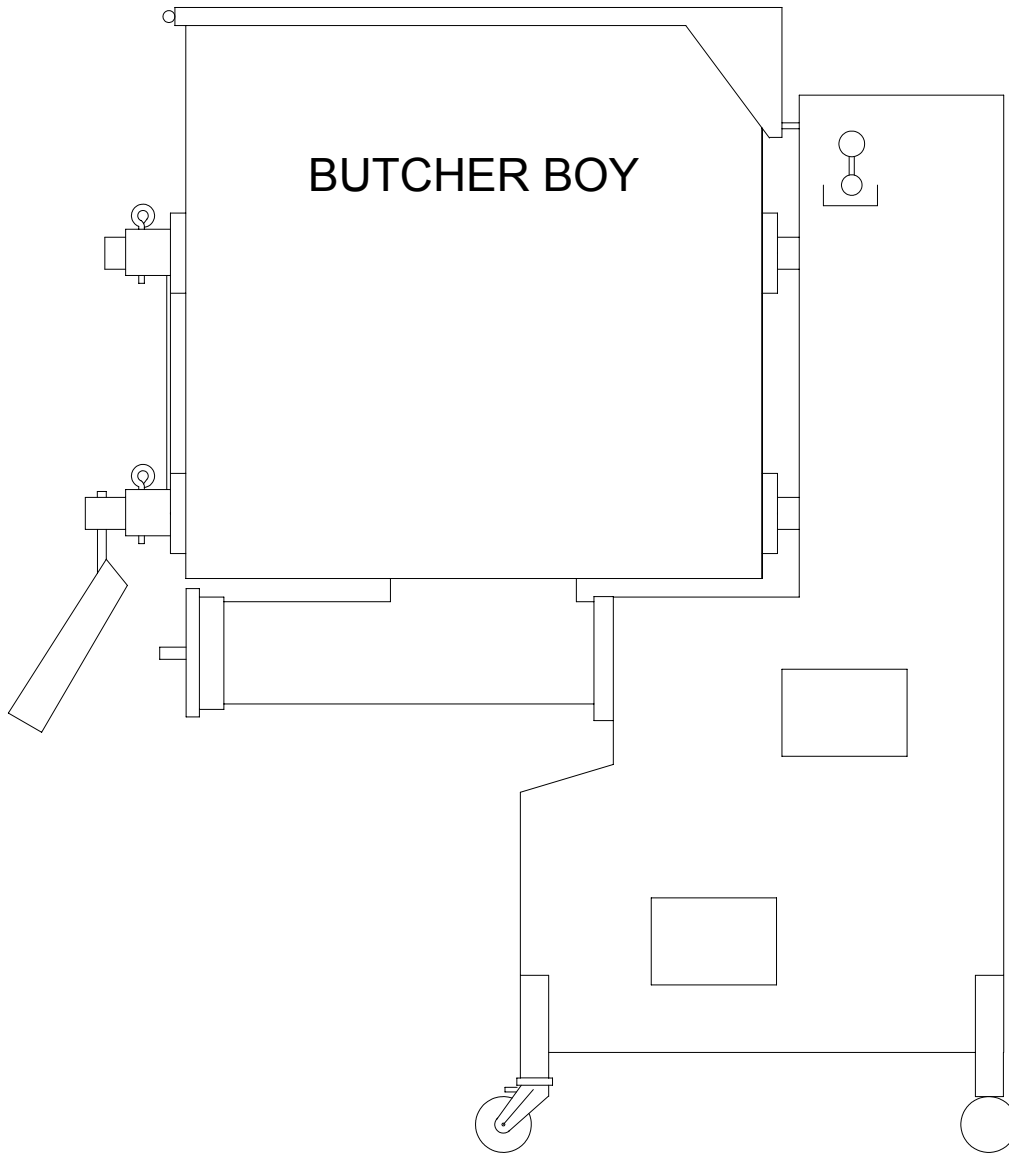


# 150/42 MIXER GRINDER

REPLACEMENT PARTS MANUAL FOR  
150/42 MIXER-GRINDER  
S/N 201 TO 975

(THAT WERE MANUFACTURED BY "LASAR MFG." UNTILL 1988)  
AMERICAN MEAT EQUIPMENT CORP. HAD NO CONNECTION TO THE  
DESIGN, MANUFACTURING OR SALES OF THESE MACHINES



MADE IN USA

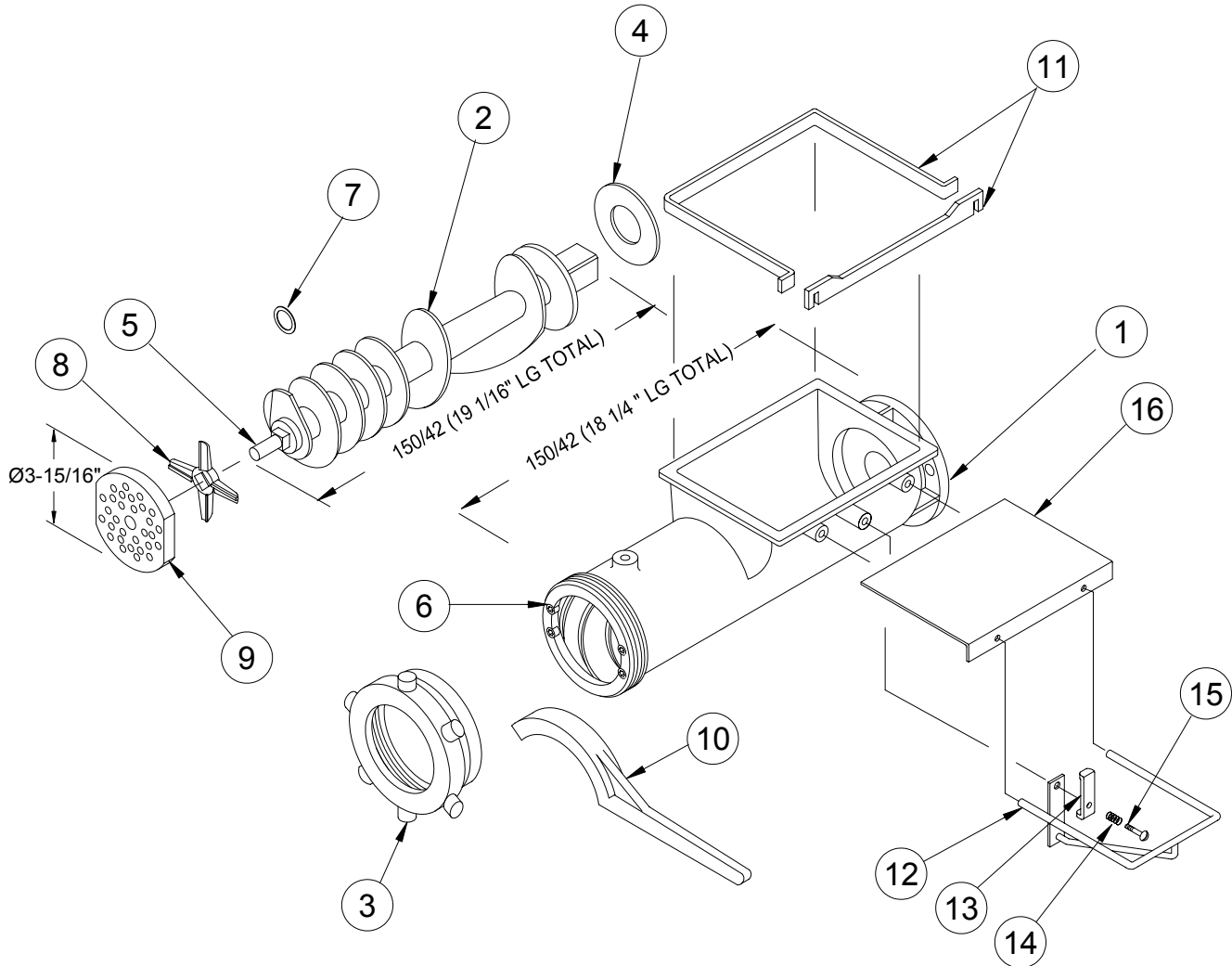
## AMERICAN MEAT EQUIPMENT CORP.

1625 S. GREENWOOD AVE  
MONTEBELLO, CA. 90640  
PHONE: (323) 724-5348  
FAX: (323) 838-4336

**REPLACEMENT PARTS FOR M/G'S 150/42 S/N 201-975**  
 (THAT WERE MANUFACTURED BY "LASAR MFG" BEFORE 1988)

**CUTTING GROUP & COMPONENTS**

CUTTING GROUP & COMPONENTS

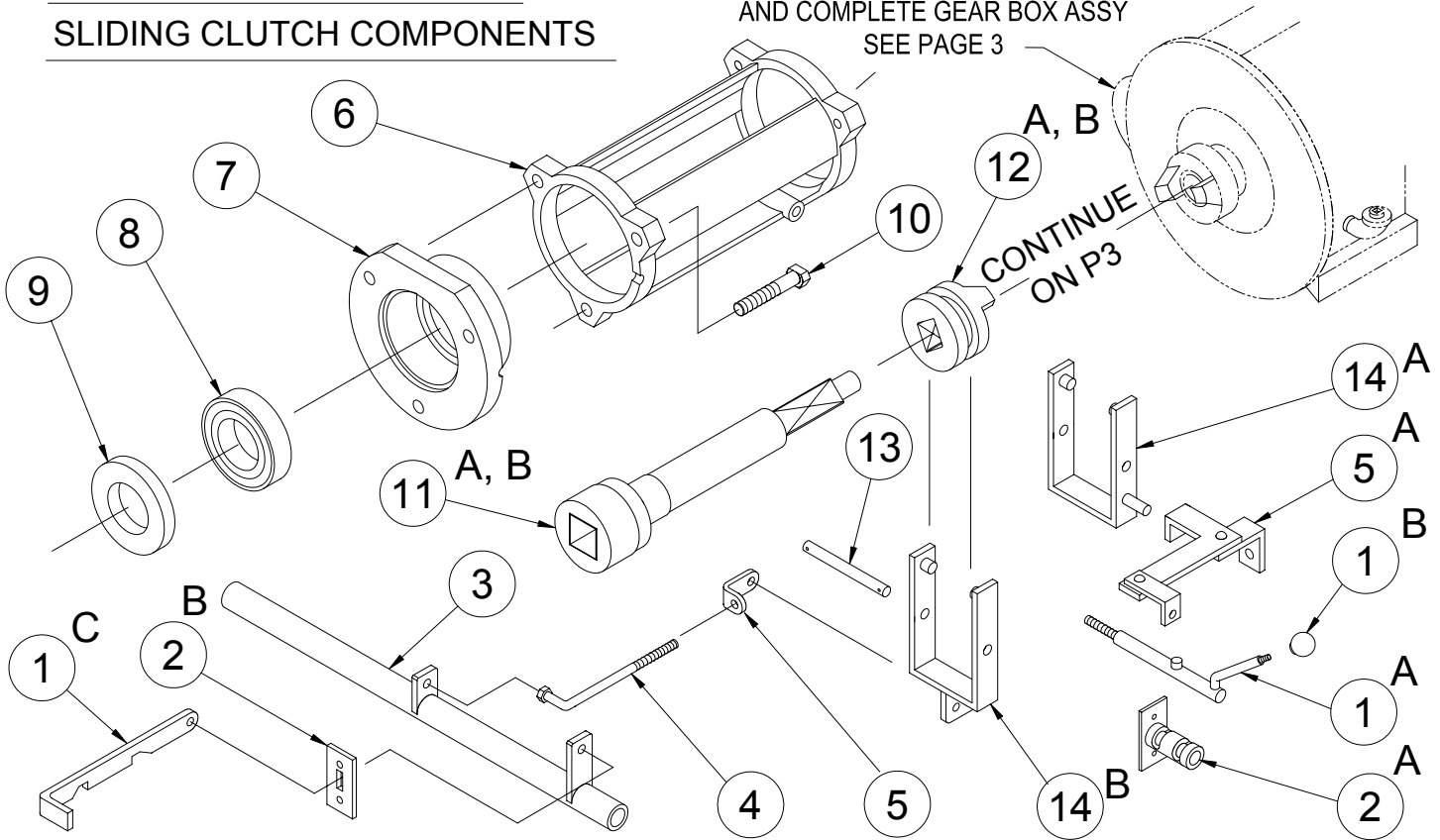


ITEM#	PART#	DESCRIPTION	QTY	ITEM#	PART#	DESCRIPTION	QTY
1	0044070	150/42 BOWL (PLATED)	1	9C	0090920	42-1/4" HOLE PLATE	1
2	0044511	150/42 FEED SCREW ASSEMBLY (PLATED)	1	9D	0090923	42-3/8" HOLE PLATE	1
3	0044212	42 KNIFE & PLATE RING (PLATED)	1	10	0059188	WRENCH ALUMINUM	1
4	0059273	42 SPACER RING (BOWL & F.S.)	A/R	10SS	0043620	WRENCH SS	1
5	0021038	42 FEED SCREW STUD	1	11	0044270	150/42 SS YOKE & SUPPORT	1
6	0059232	SCREW 42 PLATE HOLDER	4	12	0044161	150/42 GUIDE ROD	1
7	0095113	42 SHIM FEED SCREW STUD	1	13	0045107	DOOR LOCK	1
8	00909251	42 KNIFE (INVESTMENT)	1	14	0010314	SPRING	1
8	0090925P	42 KNIFE (PREMIUM)	1	15	RHSS-21-24-SS	SCREW	1
9A	0090921	42-1/8" HOLE PLATE	1	16	0044234	150/42 SHUT OFF DOOR	1
9B	00909922	42-3/16" HOLE	1				

# REPLACEMENT PARTS FOR M/G'S 150/42 S/N 201-975 (THAT WERE MANUFACTURED BY "LASAR MFG" BEFORE 1988)

## GEAR BOX EXTENSION AND SLIDING CLUTCH COMPONENTS

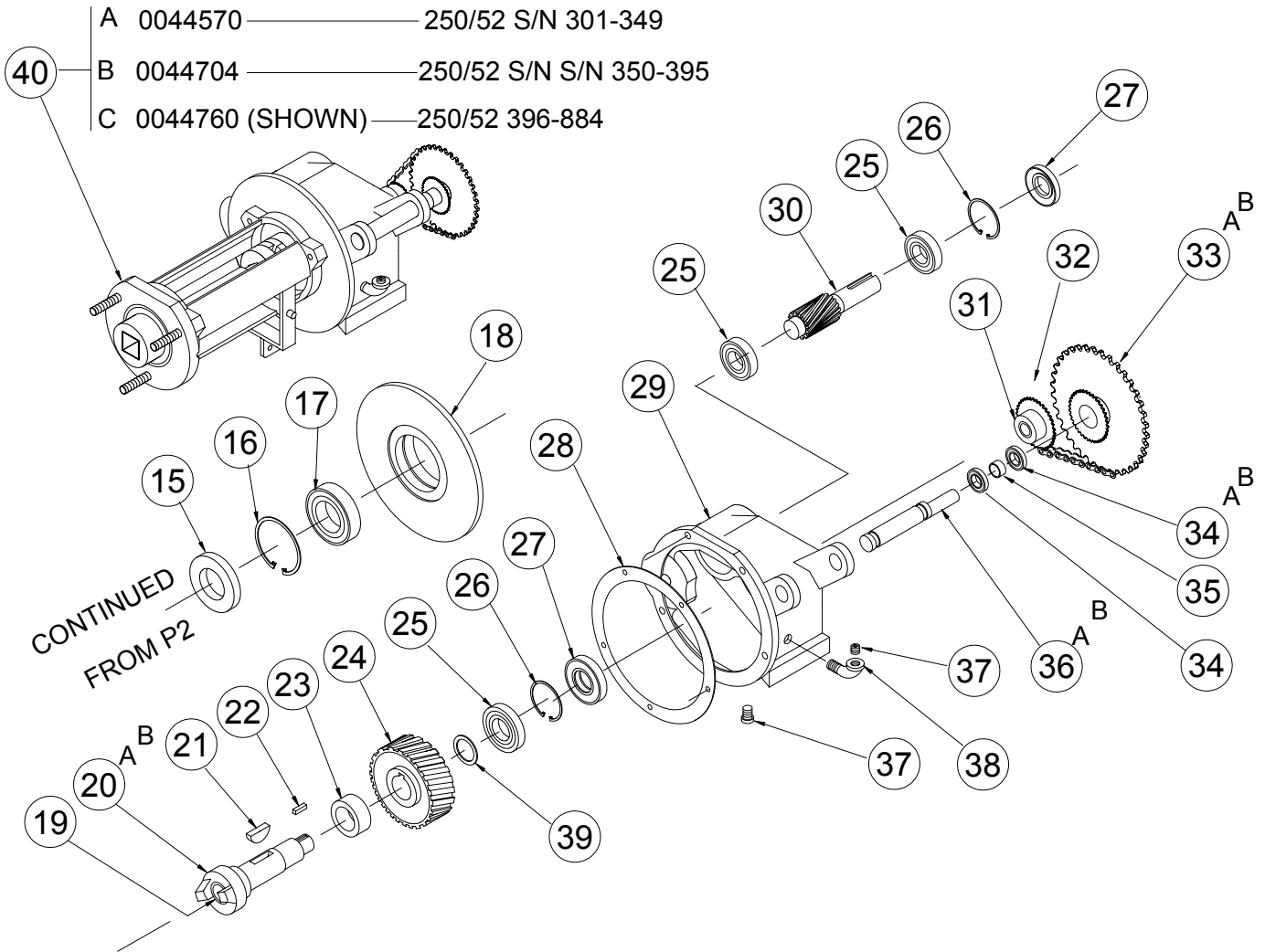
FOR ADDITION COMPONENTS  
AND COMPLETE GEAR BOX ASSY  
SEE PAGE 3



ITEM#	PART#	DESCRIPTION	QTY.	150/42
1A	0044665	CLUTCH BOLT	1	S/N 201-307
1B	0090638	KNOB	1	
1C	0044764	L.H. CLUTCH LEVER (SHOWN)	1	S/N 308-ON
1C	0044764	R.H. CLUTCH LEVER	1	
2A	0044670	CLUTCH BOLT SLEEVE	1	S/N 201-307
2B	0044762	CLUTCH LEVER PLATE	1	S/N 308-ON
3	0044755	CLUTCH ROD	1	
4	0044754	CLUTCH LEVER BOLT	1	
5A	0044655	CLUTCH LEVER	1	S/N 201-307
5B	0044753	CLUTCH BRACKET	1	S/N 308-ON
6	0044604	GEAR BOB SPACER	1	S/N 201-ON
7	0044574	THRUST BEARING HOUSING	1	
8	0090303	THRUST BEARING	1	
9	0090421	SEAL	1	
10	0045622	STUD	3	
11A	0044572	DRIVE SHAFT	1	S/N 201-269
12A	0045085	SLIDING CLUTCH	1	S/N 201-269
13	0044569	PIVOT PIN	1	S/N 201-ON
14A	0044598	CLUTCH FORK	1	S/N 201-307
14B	0044717	CLUTCH FORK	1	S/N 308-ON

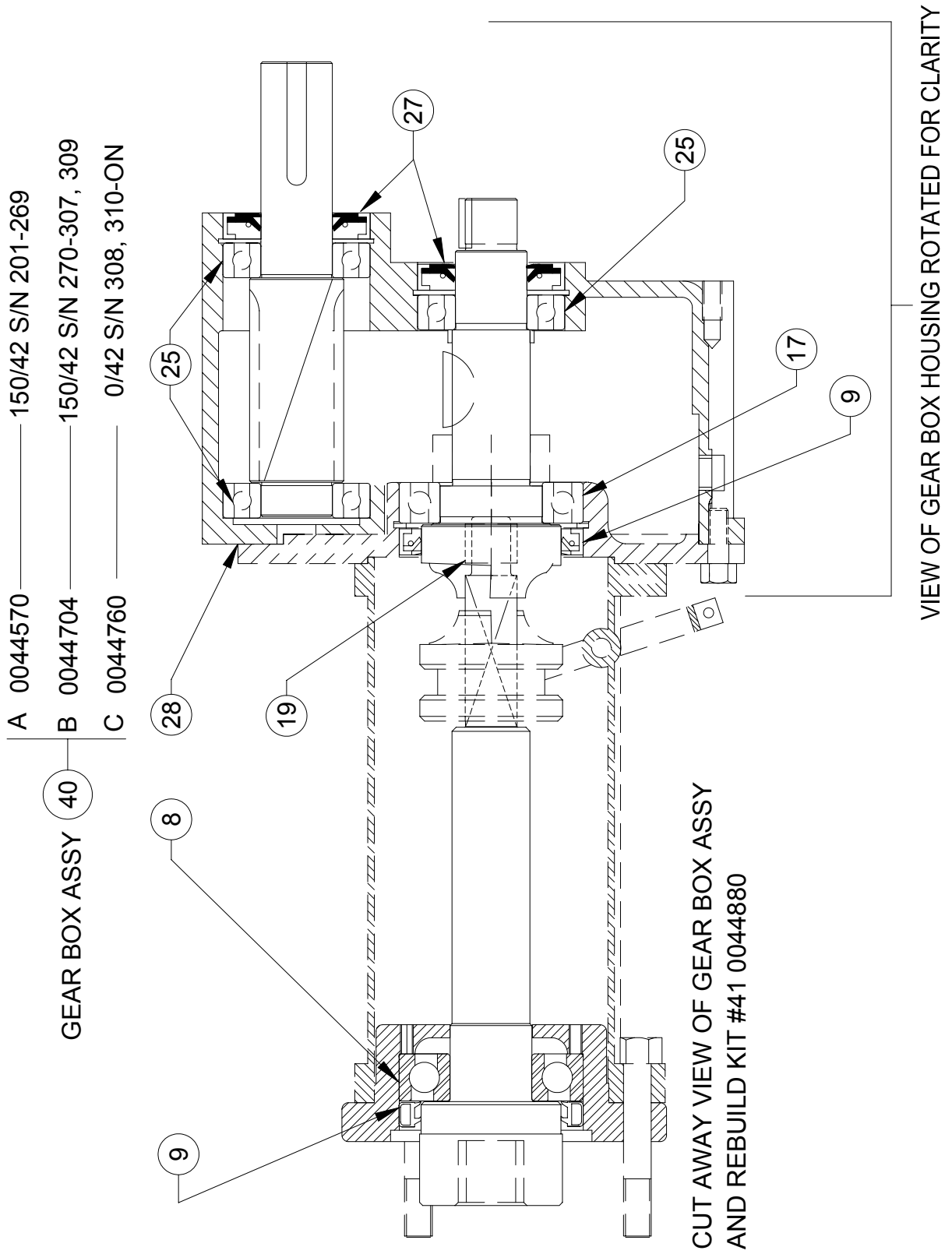
# REPLACEMENT PARTS FOR M/G'S 250/52 S/N 301-884 (THAT WERE MANUFACTURED BY "LASAR MFG" BEFORE 1988)

## GEAR BOX ASSY AND COMPONENTS CONTINUED FROM PAGE 2



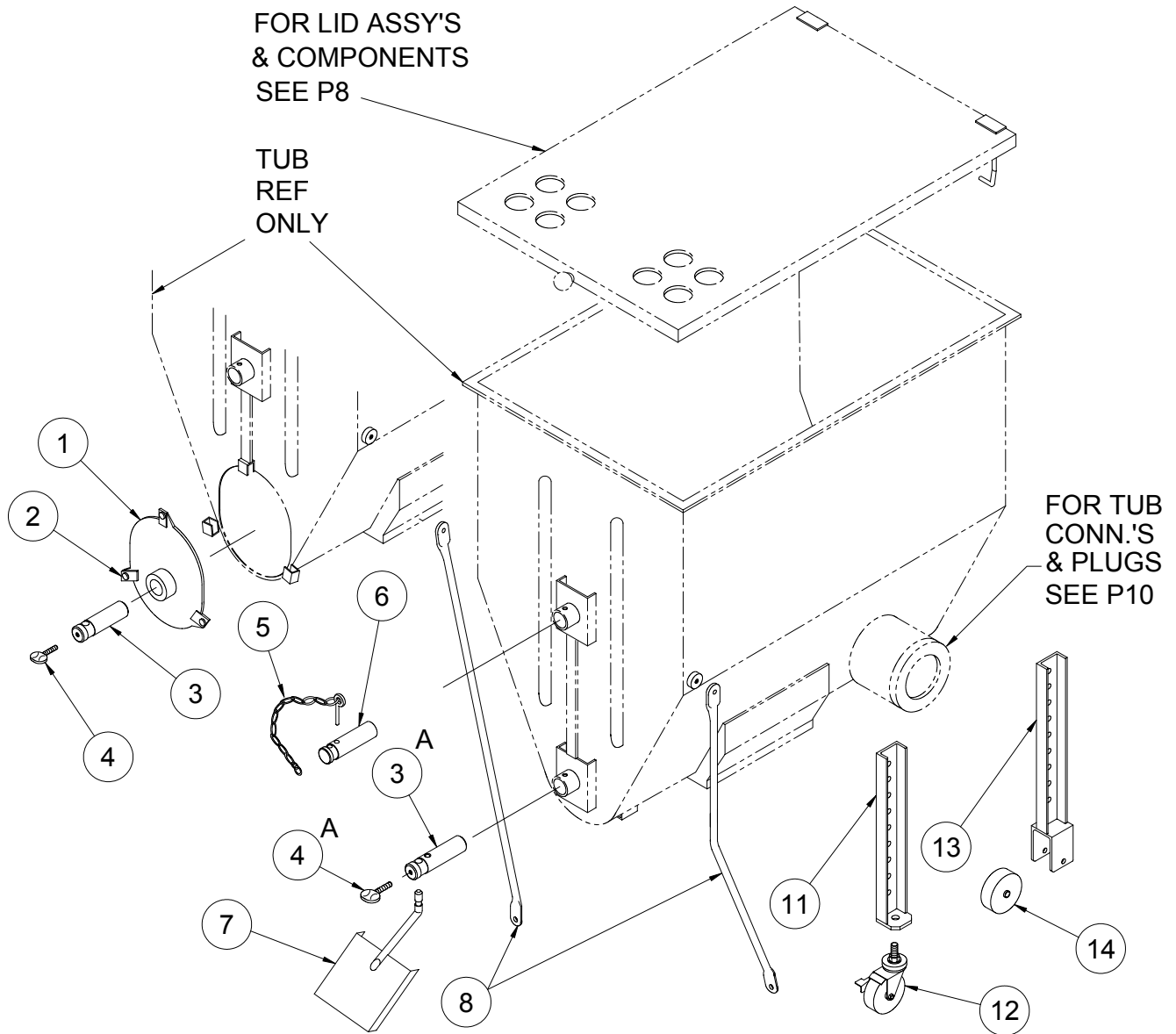
ITEM#	PART#	DESCRIPTION	QTY.	ITEM#	PART#	DESCRIPTION	QTY.
9	0090421	SEAL (LARGE)	1	31	0091021	SMALL SPROCKET	1
16	0090230	RETAINING RING	1	32	0091112	CHAIN ASSEMBLY	1
17	0090322	THRUST BEARING	1	33A	0045091	SPROCKET (ASSY A&B)	1
18	0044571	COVER GEAR BOX	1	33B	0044750	SPROCKET (ASSY C)	1
19	0090716	BUSHING SHAFT	1	34A	0090717	BUSHING (ASSY A&B)	1
20A	0045199	DRIVE SHAFT W/BUSHING (ASSY A)	1	34B	0090326	BEARING (ASSY C)	2
20B	0044706	DRIVE SHAFT W/BUSHING (ASSY B&C)	1	35	0044752	SPACER SPROCKET (ASSY C)	1
21	0090607	WOODRUFF KEY	1	36A	0044180	JACK SHAFT (ASSY A&B)	1
22	0059247-4	KEY	1	36B	0044751	JACK SHAFT (ASSY C)	1
23	0045197	SPACER	1	37	0095171	PIPE PLUG	2
24		GEAR (PURCHASE W/#30)	1	38	0095152	STREET ELBOW	1
25	0090304	BEARING HOUSING	3	39	0044766	RING	A/R
26	0090205	RETAINING RING HOUSING	2	40A	0044570	GEAR BOX ASSEMBLY	1
27	0090404	SEAL (SMALL DRIVE SHAFT)	2	40B	0044704	GEAR BOX ASSEMBLY	1
28	0059061	GASKET	1	40C	0044760	GEAR BOX ASSEMBLY	1
29	0044564	HOUSING	1	41	0044880	REBUILD KIT SEE PAGE3_1	1
30	0043181	PINION & GEAR WHEEL #24	1				

# REPLACEMENT PARTS FOR M/G'S 150/42 S/N 201-975 (THAT WERE MANUFACTURED BY "LASAR MFG" BEFORE 1988)



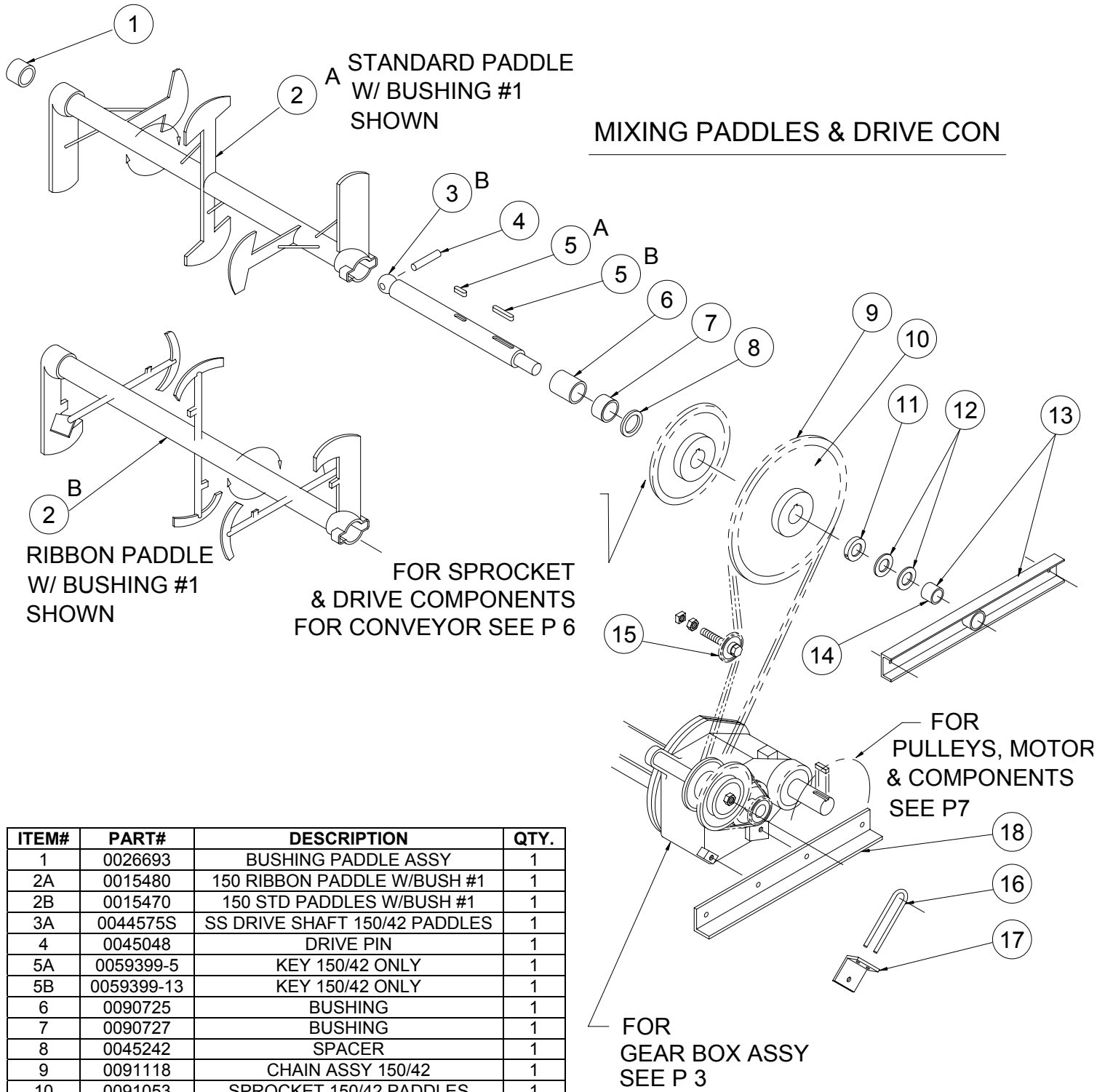
# REPLACEMENT PARTS FOR M/G'S 150/42 S/N 201-975 (THAT WERE MANUFACTURED BY "LASAR MFG" BEFORE 1988)

## TUB SHAFTS, SUPPORT & CABINET LEGS



ITEM#	PART#	DESCRIPTION	QTY.	ITEM#	PART#	DESCRIPTION	QTY.
1	0044765	150/42 CONVEYOR COVER	1	7	0044626	SPURT GUARD	1
2	0059193S	SS RIVET CONV. COVER	3	8	0044629	150/42 SUPPORT BRACE	2
3	0044769S	SHAFT CONV. COVER	1				
3A	0044630S	SHAFT CONVEYOR	1				
4	TS-21-16-S	THUMB SCREW SHAFT	4	11	0044610	FRONT LEG	2
4A	TS-23-16-S	THUMB SCREW SHAFT	1	12	0095034	CASTER & BRAKE	2
5	0026547S	PIN & CHAIN ASSY SS	1	13	0044605	REAR LEG	2
6	0026545	SHAFT PADDLES	1	14	0095035	REAR CASTER WHEEL	2

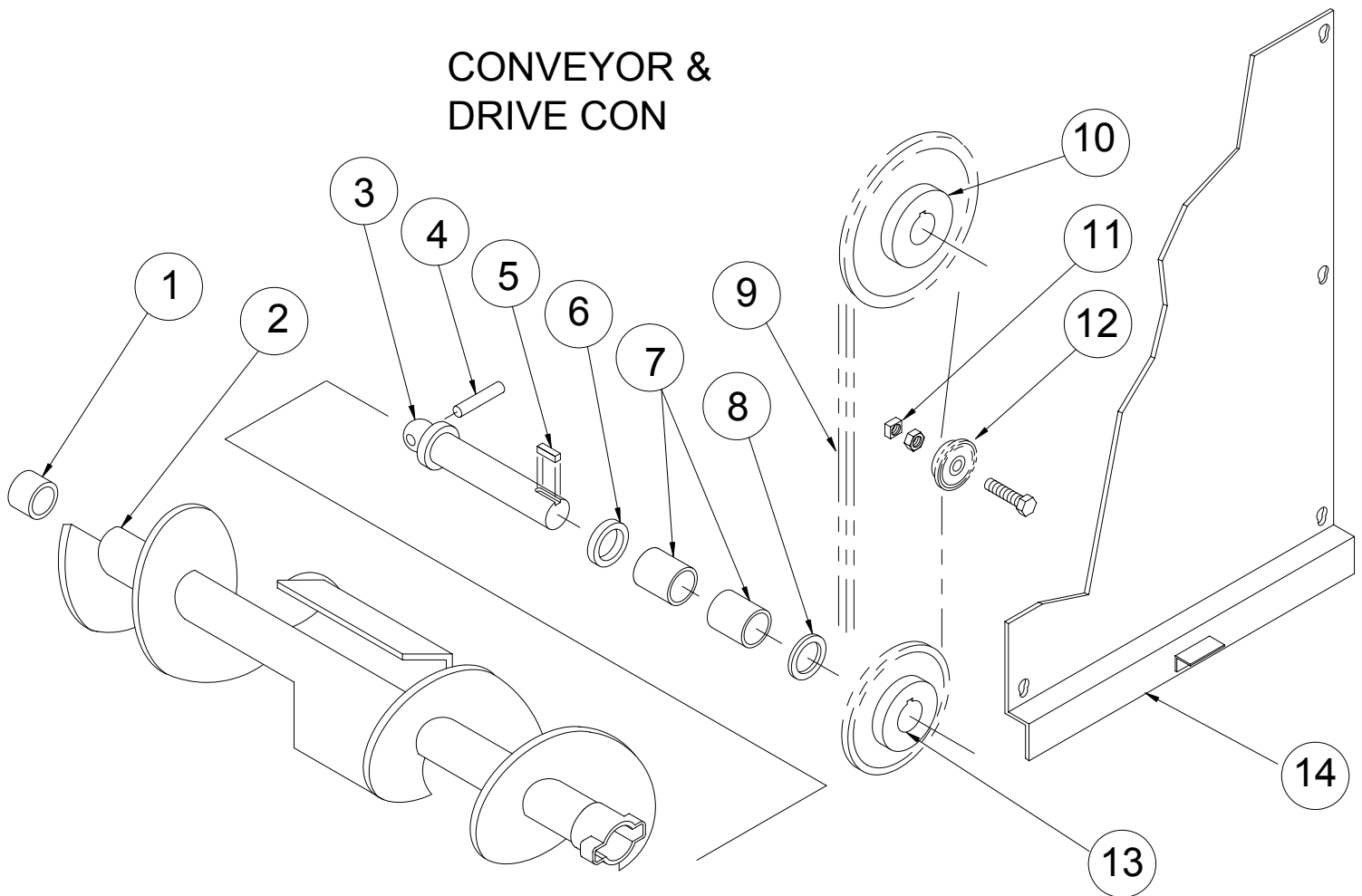
# REPLACEMENT PARTS FOR M/G'S 150/42 S/N 201-975 (THAT WERE MANUFACTURED BY "LASAR MFG" BEFORE 1988)



ITEM#	PART#	DESCRIPTION	QTY.
1	0026693	BUSHING PADDLE ASSY	1
2A	0015480	150 RIBBON PADDLE W/BUSH #1	1
2B	0015470	150 STD PADDLES W/BUSH #1	1
3A	0044575S	SS DRIVE SHAFT 150/42 PADDLES	1
4	0045048	DRIVE PIN	1
5A	0059399-5	KEY 150/42 ONLY	1
5B	0059399-13	KEY 150/42 ONLY	1
6	0090725	BUSHING	1
7	0090727	BUSHING	1
8	0045242	SPACER	1
9	0091118	CHAIN ASSY 150/42	1
10	0091053	SPROCKET 150/42 PADDLES	1
11	0026521	THRUST COLLAR	1
12	0044662	SPACER	2
13	0044344	SUPPORT W/BUSHING #14	1
14	0090718	BUSHING SUPPORT	1
15	0045246	IDLE SPROCKET ASSY	1
16	0044782	YOKE GEAR BOX JACK SHAFT	1
17	0044783	BRACKET YOKE	1
18	0044638S	CROSS BRACKET GEAR BOX	1

**REPLACEMENT PARTS FOR M/G'S 150/42 S/N 201-975**  
 (THAT WERE MANUFACTURED BY "LASAR MFG" BEFORE 1988)

**CONVEYOR &  
 DRIVE CON**



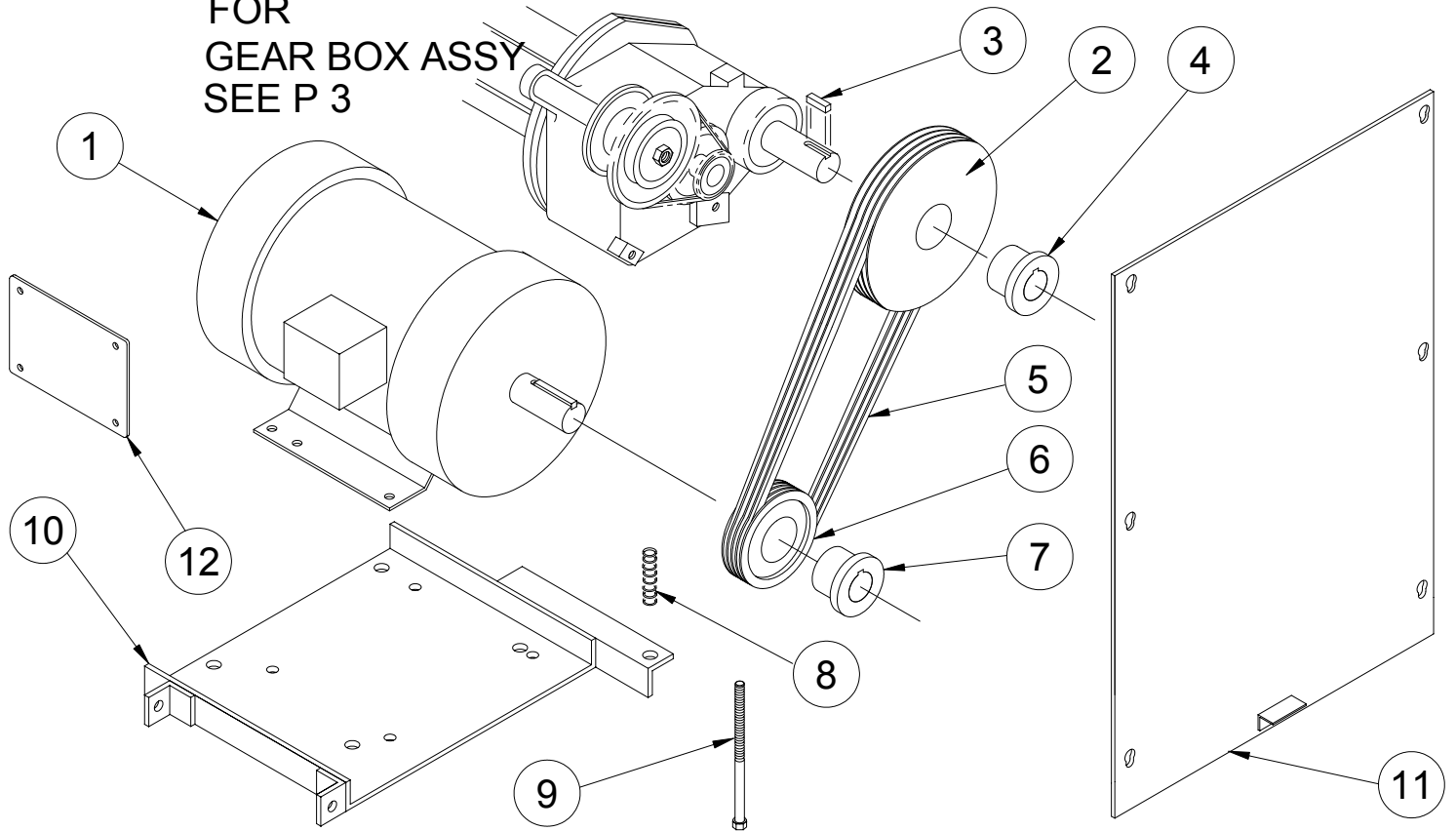
ITEM#	PART#	DESCRIPTION	QTY.
1	0026693	BUSHING CONVEYOR	1
2	0044603S	SS CONVEYOR W/BUSHING #1	1
3	0044615S	DRIVE SHAFT CONVEYOR	1
4	0045048	DRIVE PIN	1
5	0059248-2	KEY	1
6	0044617	THRUST RING	1
7	0090725	BUSHING	1
8	0045242	SPACER	1
9	0091119	DRIVE CHAIN ASSEMBLY	1
10	0091042	UPPER DRIVE SPROCKET	1
11	0044563	SPECIAL NUT	1
12	0044516	IDLE SPROCKET	1
13	0091041	LOWER DRIVEN SPROCKET	1
14	0044685S	150/42 UPPER REAR PANEL	1



**REPLACEMENT PARTS FOR M/G'S 150/42 S/N 201-975**  
 (THAT WERE MANUFACTURED BY "LASAR MFG" BEFORE 1988)

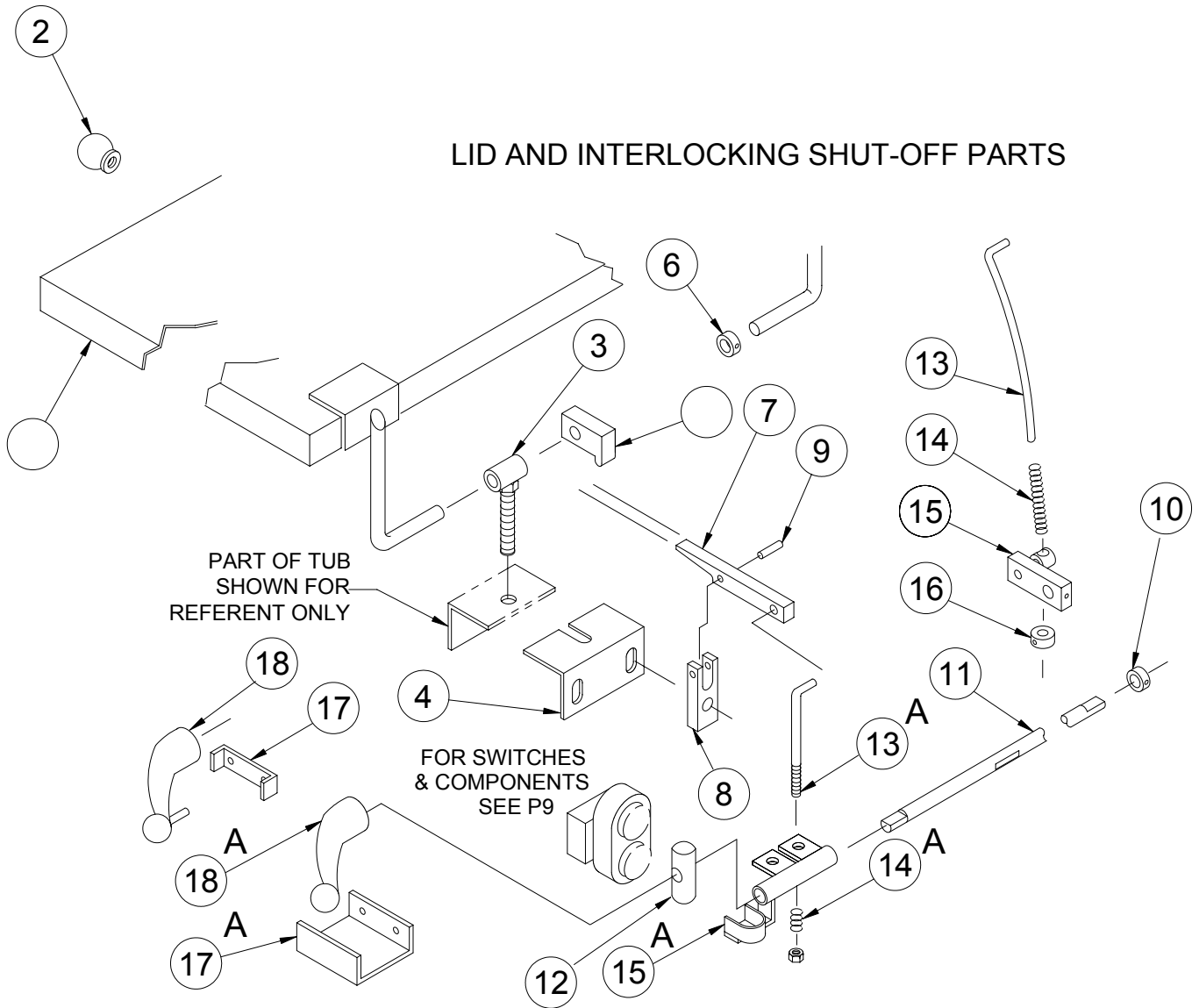
**MOTOR, PULLEYS & DRIVE COMPONENTS**

FOR  
 GEAR BOX ASSY  
 SEE P 3



ITEM#	PART#	DESCRIPTION	QTY.
1		MOTOR SPECIFY HP, VOLTAGE, PHASE, ODP OR TEFC	1
2	0090110	PULLEY UPPER, GEAR BOX 150/42	1
3	0059249-10	KEY GEAR BOX PULLEY	1
4	0090153	HUB UPPER PULLEY	1
5	0090515	BELT 150/42	3
6	0090106	PULLEY LOWER DRIVE 150/42	1
7	0090149	HUB MOTOR PULLEY 7 1/2 & 10 HP	1
8	0043157	TENSION SPRING	1
9	0043155S	TENSION BOLT SS	1
10	0044145S	TENSION BOLT SS	1
11	0044680S	LOWER REAR COVER SS	1
12	0010198	ACCESS PLATE SS	2

# REPLACEMENT PARTS FOR M/G'S 150/42 S/N 201-975 (THAT WERE MANUFACTURED BY "LASAR MFG" BEFORE 1988)



ITEM#	PART#	DESCRIPTION	QTY.
1	0044265	150/42 LID ASSY	1
2	0090638	KNOB	1
3	0045208S	HINGE LID	1
4	0045159S	ANGLE BRACKET	1
5	0044183	SWITCH CAM	1
6	0095006	COLLAR LID	1
7	0045219	LEVER	1
8	0045218	GUIDE BRACKET	1
9	DP-03-12	PIN GUIDE LEVER	
10	0095006S	COLLAR	1
11	45223S	ROD	1
12	0028356	SWITCH TAPPER	1

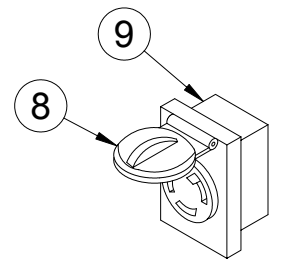
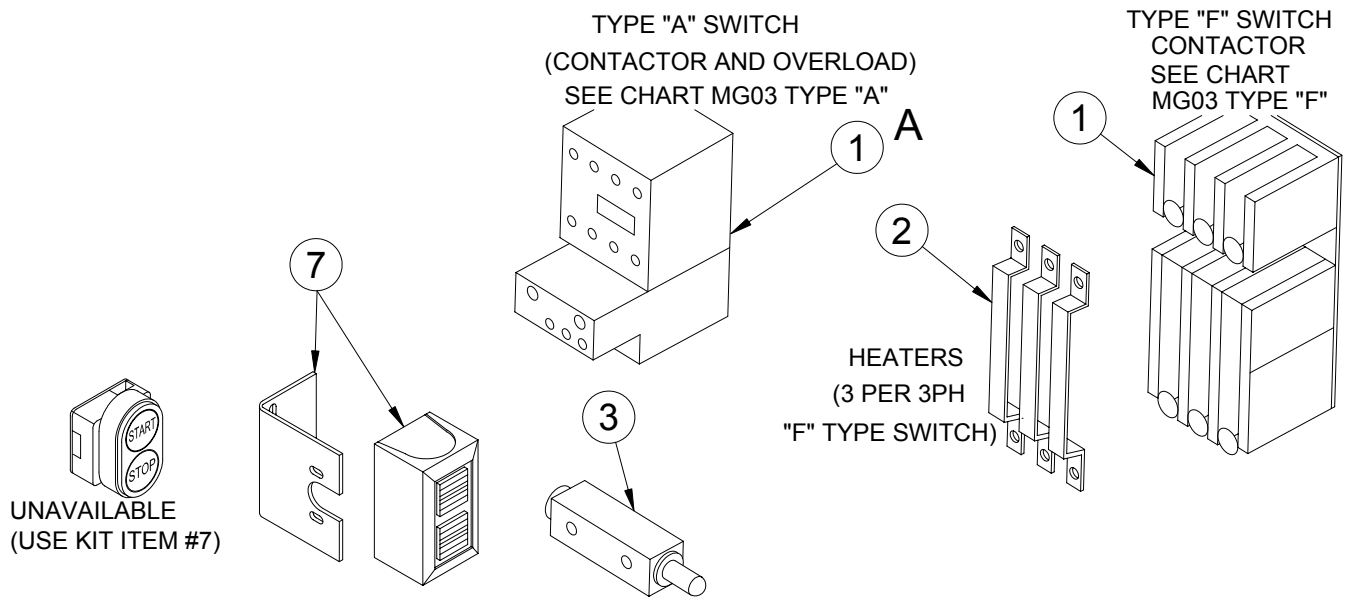
150/42 S/N 201 TO 826 ONLY			
ITEM#	PART#	DESCRIPTION	QTY.
13	0045217	SAFETY OFF LINK	1
14	0026090	SPRING	1
15	0045220	SAFETY LINK	1
16	0090652S	COLLAR	1
17	0045278	GUARD HANDLE	1
18	0045279	SWITCH HANDLE	1

150/42 S/N 827 TO 975 ONLY			
ITEM#	PART#	DESCRIPTION	QTY.
13A	0045210	SAFETY OFF LINK	1
14A	0010314S	SPRING	1
15A	0044745	SWITCH LEVER	1
17A	0044187	GUARD HANDLE	1
18A	0090694	SWITCH HANDLE	1

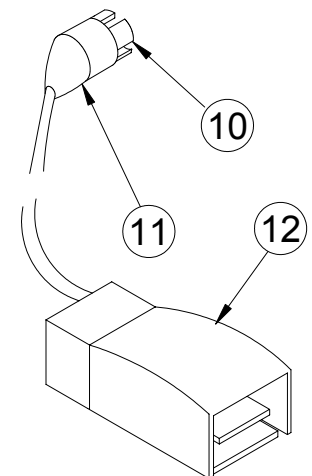
# REPLACEMENT PARTS FOR M/G'S 150/42 S/N 201-975 (THAT WERE MANUFACTURED BY "LASAR MFG" BEFORE 1988)

## DEFINITE PURPOSE STARTERS AND COMPONENTS

NOTE: CHECK THE MOTOR TO CONFER THE AMP RATING FOR THE HP AND VOLTAGE TO BE USED.



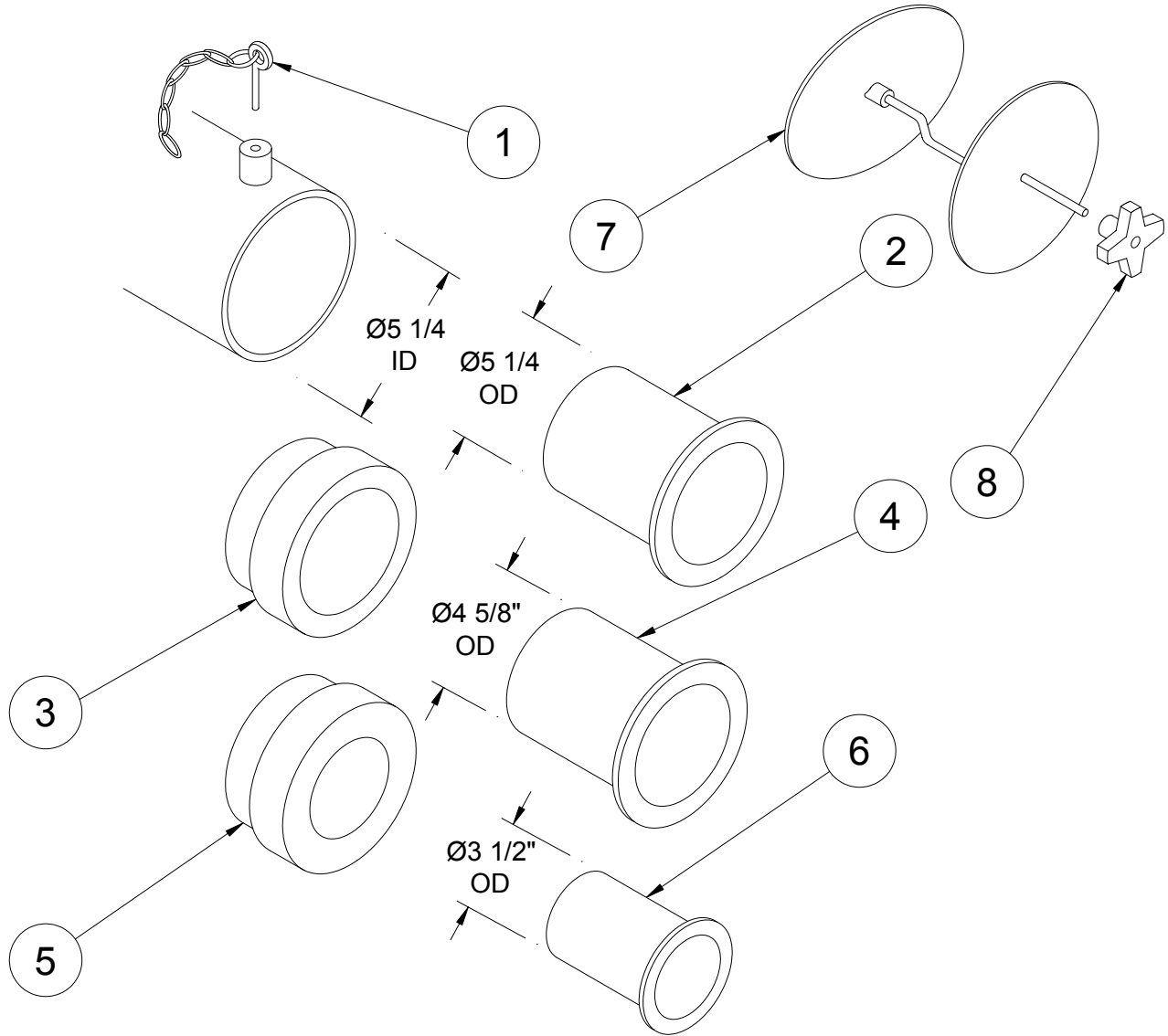
HP	3 PHASE VOLTAGES				SWITCH WITH OUT HEATERS	HEATERS (QTY 3)		SWITCH WITH O/L
	575V	460V	230V	200V	PART#	#	PART#	PART#
7 1/2	8.3				0093010	E51	0093536	0093649
		10.6			0093008	E54	0093538	0093645
			21.2		0093011	E62	0093544	0093651
				25.0	0093011	E66	0093561	0093650
10	11.0				0093010	E54	0093538	0093649
		13.0			0093008	E56	0093540	0093646
			26.0		0093011	E67	0093546	0093657
				33.0	0093011	E70	0093547	0093659



ITEM#	PART#	DESCRIPTION	QTY.
7	0059370-MG	PUSH BUTTON KIT (REPLACES 0059370)	1
8	0093118	COVER FOR RECEPTACLE	1
9	0093115	FOOT SWITCH RECEPTACLE (F)	1
10	0093114	FOOT SWITCH PLUG (M)	1
11	0093117	BOOT FOR FOOT SWITCH PLUG	1
12	0093052	FOOT SWITCH	1

**REPLACEMENT PARTS FOR M/G'S 150/42 S/N 201-975**  
 (THAT WERE MANUFACTURED BY "LASAR MFG" BEFORE 1988)

**TUBE ( ADAPTERS & TUB PLUG ASSY**



ITEM#	PART#	DESCRIPTION	QTY.
1	0045319	PIN & CHAIN ASSEMBLY	1
2	0057170	56 CONNECTOR TUBE (HORN)	1
3	0053033	56 TO 52 REDUCER	1
4	0053030	52 CONNECTOR TUBE (HORN)	1
5	0042548	56 TO 42 REDUCER	1
6	0042545	42 CONNECTOR (HORN)	1
7	0044855	150 & 250 TUB PLUG ASSEMBLY	1
8	0095257	LOCKING KNOB	1