

3701/3711 SERIES OVER WRAPPING

AUTOMATIC OVER WRAPPING MACHINE



MACHINE CAPABILITY

Complete over wrapping of parallelepiped products.

WRAPPING MATERIAL

Cellophane, PVC, PP and all heatsealable films from reel.

MARKETS

Foods, confectionery, tea, coffee, tobacco, paper, cosmetic and pharmaceutical industry.

- Oiltight steel frame containing all motions.
- Easy cleaning.
- Oil bath lubrication.
- PLC: Siemens.
- Standard electric components: Siemens.

Device to lift film driving rollers during product elevation enabling to use extremely thin films and avoid film sliding around the product.
Quick change-over features.

Each machine is supplied with the following documentation: electrical diagrams with lists of the components, maintenance and use manual, spare parts manual with exploded drawings and parts identification tables, change-over manual showing the sequence of operations.

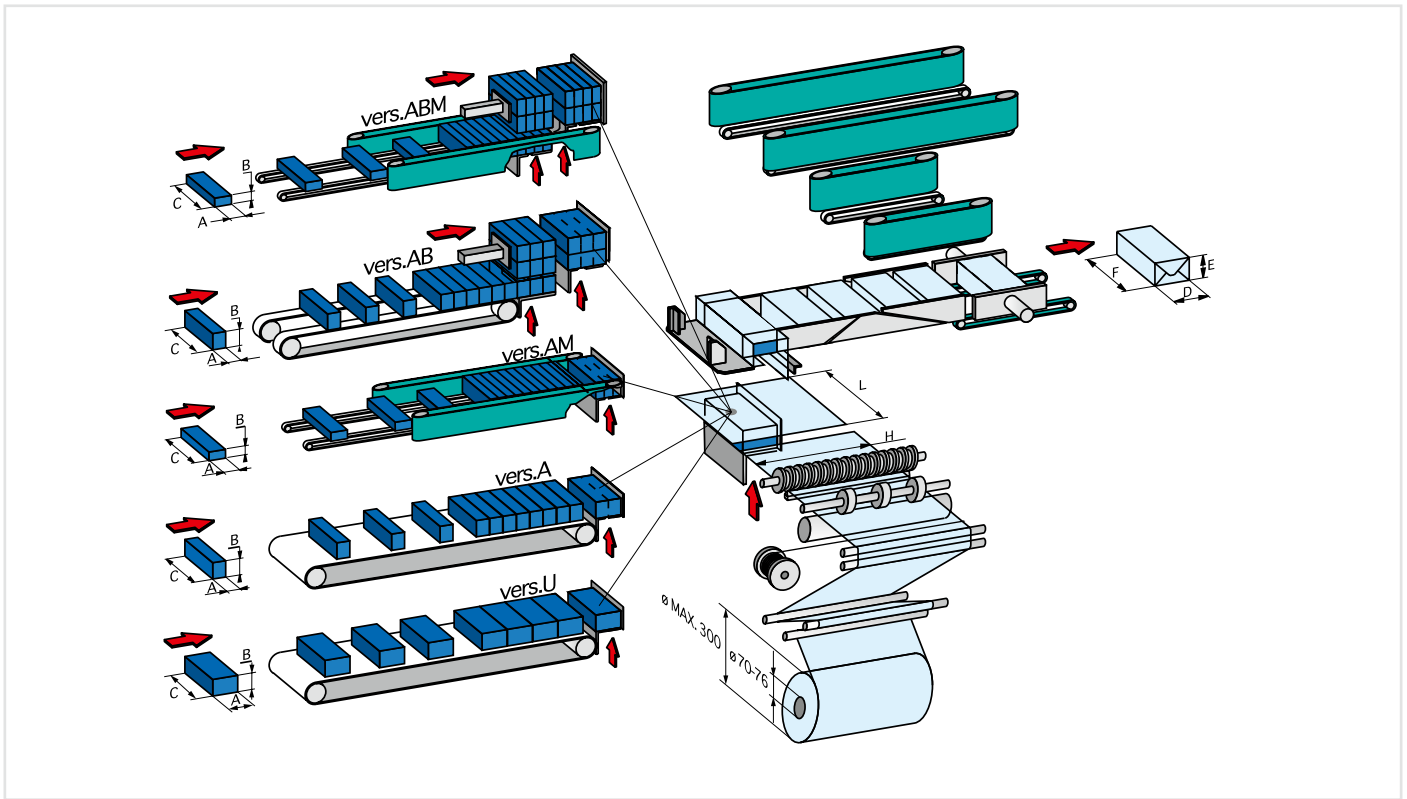
OPTIONAL GROUPS

- Film print registration unit.
- Additional reel holder.
- Tear tape group.
- Wheel for machine displacement.
- Adjustable folding plates.



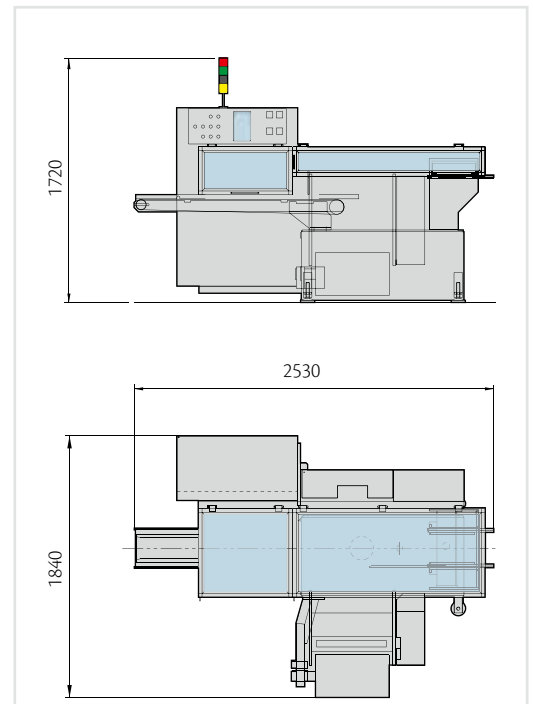
TECHNICAL DATA

March 2020 - 991F0122000

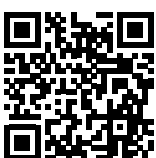


Production Dimensions		A	B	C	H	L
3701	MIN.	40	23	60	140	105
	MAX.	125	90	220	400	315
3711	MIN.	40	23	60	140	105
	MAX.	175	90	270	530	390

Production		Gross weight			
3701	130 cycles/min.	3701	1800 Kg	Compressed air	6 bar
3711	110 cycles/min.	3711	2100 Kg	Installed power	5 kw



IMA S.p.A. reserves the right to make any changes to the described machine characteristics.



IMA S.p.A.
IMA BFB division
 Via Romagnoli, 2 - 40010 Bentivoglio (Bologna) - Italy
 Phone +39 051 6642 111 - Fax +39 051 6642 255
 imaebol@ima.it - ima.it

