

3721 SERIES OVER WRAPPING

AUTOMATIC OVER WRAPPING MACHINE



MACHINE CAPABILITY

Complete over wrapping of parallelepiped products.

WRAPPING MATERIAL

Cellophane, PVC, PP and all heatsealable films from reel.

MARKETS

Foods, confectionery, tea, coffee, tobacco, paper, cosmetic and pharmaceutical industry.

- Oiltight steel frame containing all motions.
- Easy cleaning.
- Oil bath lubrication.
- PLC: Siemens.
- Standard electric components: Siemens.

Device to lift film driving rollers during product elevation enabling to use extremely thin films and avoid film sliding around the product.
Quick change-over features.

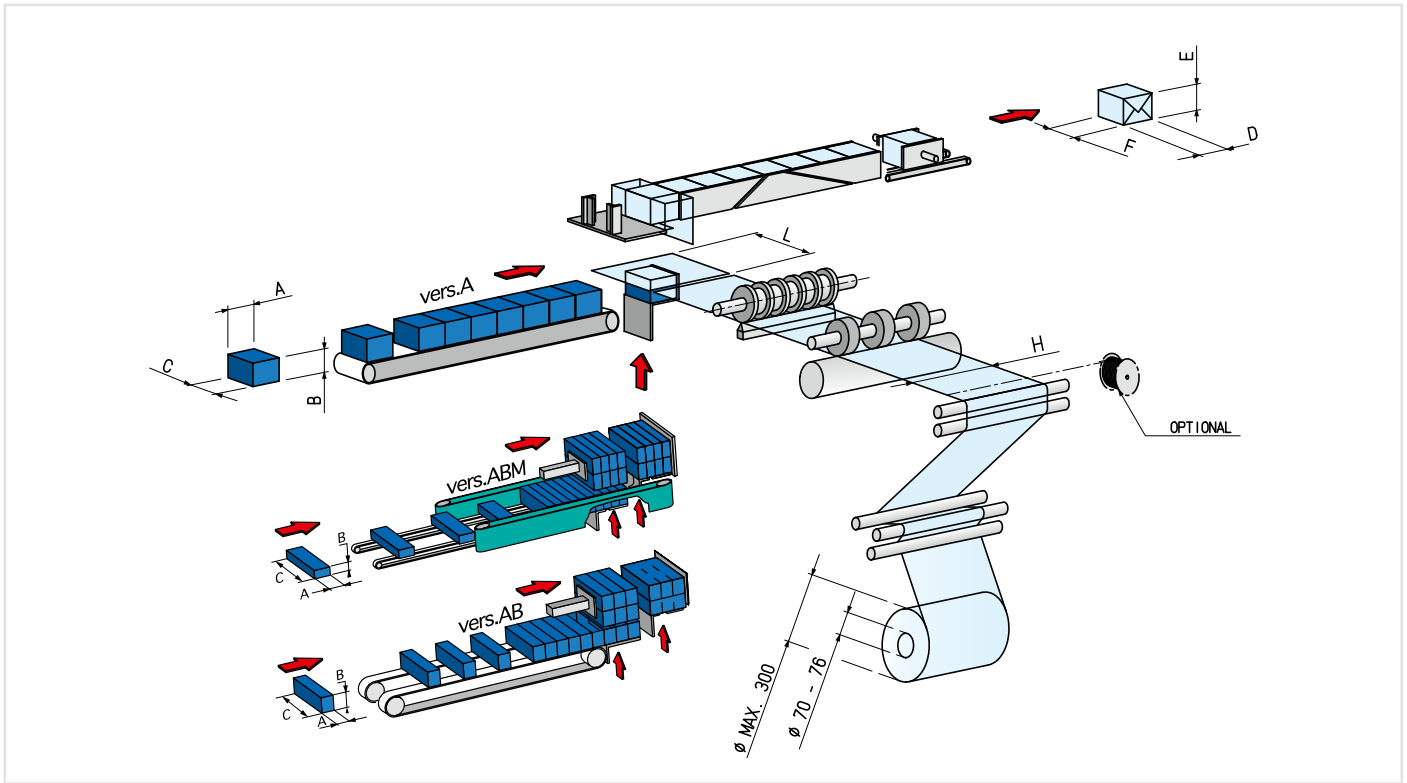
Each machine is supplied with the following documentation: electrical diagrams with lists of the components, maintenance and use manual, spare parts manual with exploded drawings and parts identification tables, change-over manual showing the sequence of operations.

OPTIONAL GROUPS

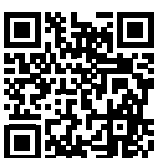
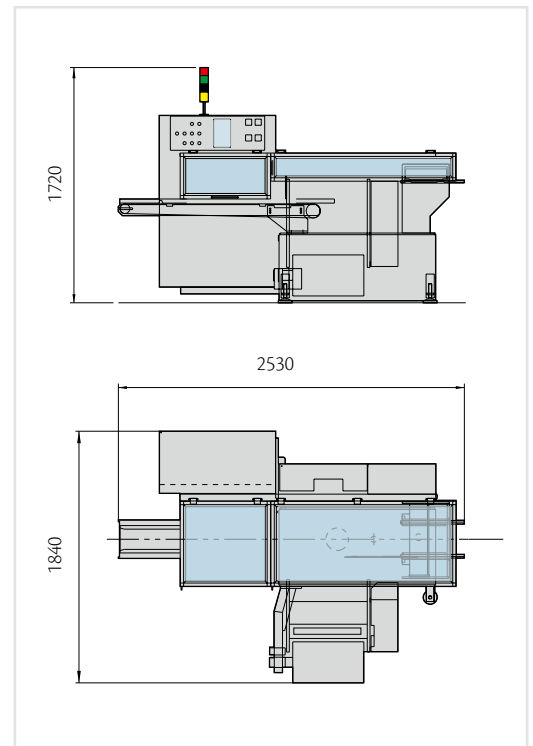
- Film print registration unit.
- Additional reel holder.
- Tear tape group.
- Wheel for machine displacement.
- Adjustable folding plates.



TECHNICAL DATA



Production dimensions		A	B	C
3721	MIN.	65	23	60
	MAX.	300	150	400
Compressed air		6 bar		
Installed power		5 kw		
Air consumption		75 NI/min.		
Production		80 cycles/min.		



IMA S.p.A.
IMA BFB division
 Via Romagnoli, 2 - 40010 Bentivoglio (Bologna) - Italy
 Phone +39 051 6642 111 - Fax +39 051 6642 255
 imaeol@ima.it - www.ima.it

