

A-Series

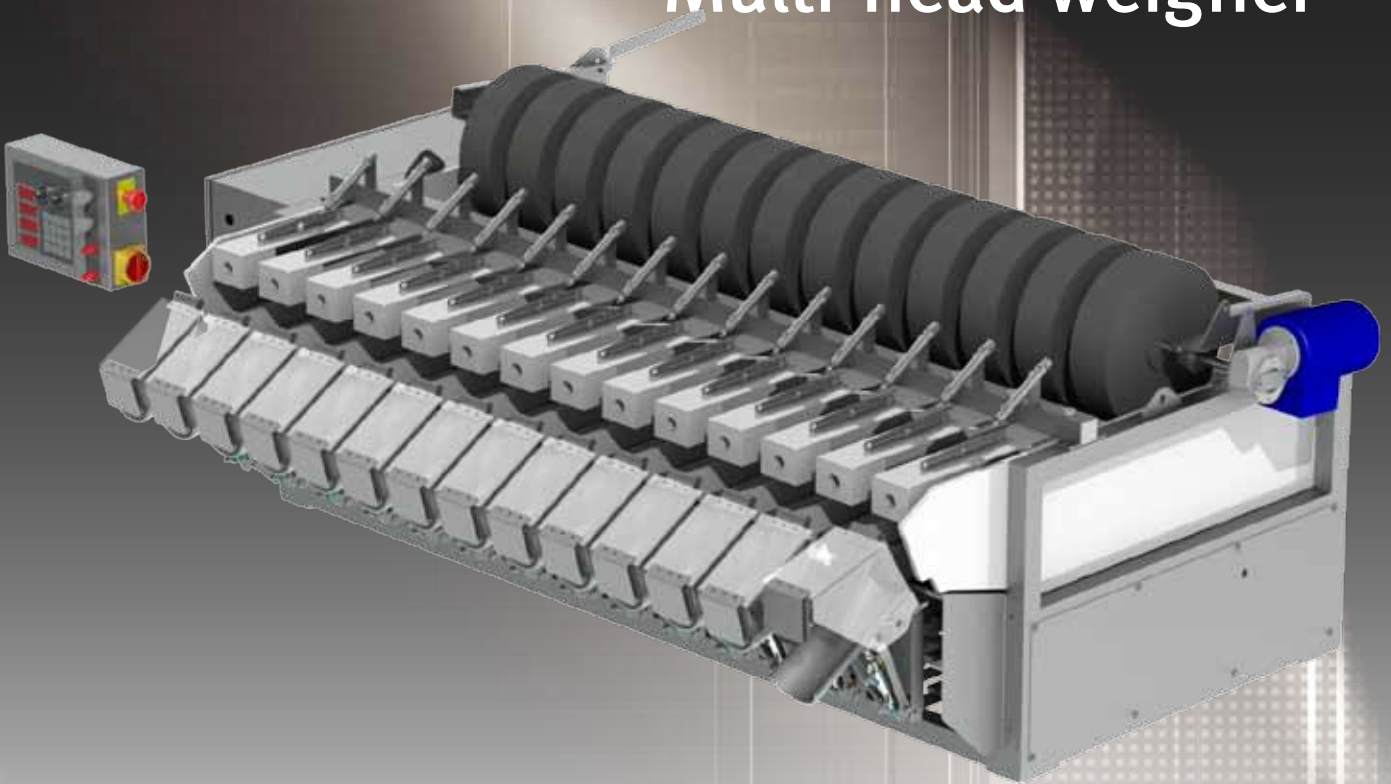


NEWTEC

the world leaders

Model 2009/2014A

Multi-head weigher



Specially designed for apples

- Robustly constructed in stainless steel
- Easy access for cleaning
- Gentle rotating brushes prevent bridging across infeed channels
- Simply cleaned
- Fast configuration of target weight
- Fully automatic infeed control
- Automatic taring
- Capable of running with one or more channels disabled
- Automatically controlled feeding system
- Count by weight programme included
- Available with extended weigh-heads for large portions

NEWTEC

the world leaders



NEWTEC A/S
Staermosegaardsvej 18
DK-5230 Odense M
Denmark

T: +45 66 15 84 44
F: +45 66 15 44 39

sales@newtec.com
www.newtec.com

Model 2009A/2014A

Technical Data

Air requirement: Min. pressure: 7 Bar/100 psi
Consumption: 150 NI/min

Electrical requirement: Connection: 230/400 VAC +(N)+PE
Total consumption: 2.5kW

Weight: 350 kg (2009A)
453 kg (2014A)

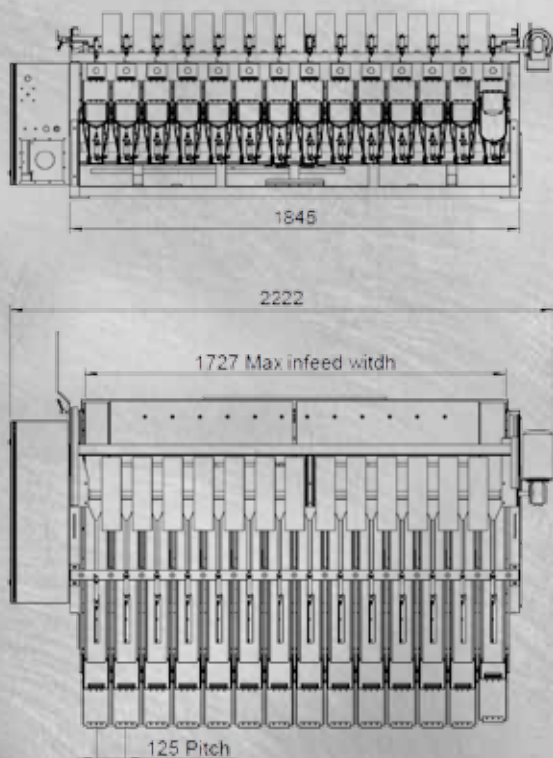
Capacity

Portions per min up to 1.5 kg to 2 kg

2009A Apples	24	20
2014A Apples	40	40

- Low cost of ownership
- User-friendly control panel
- Market leading product handling technology
- Combination of speed and accuracy
- Premium reliability

2009A



2014A

