



HAMRICK

300 "E" DROP PACKER



Round
Containers



15
Cases Per Minute

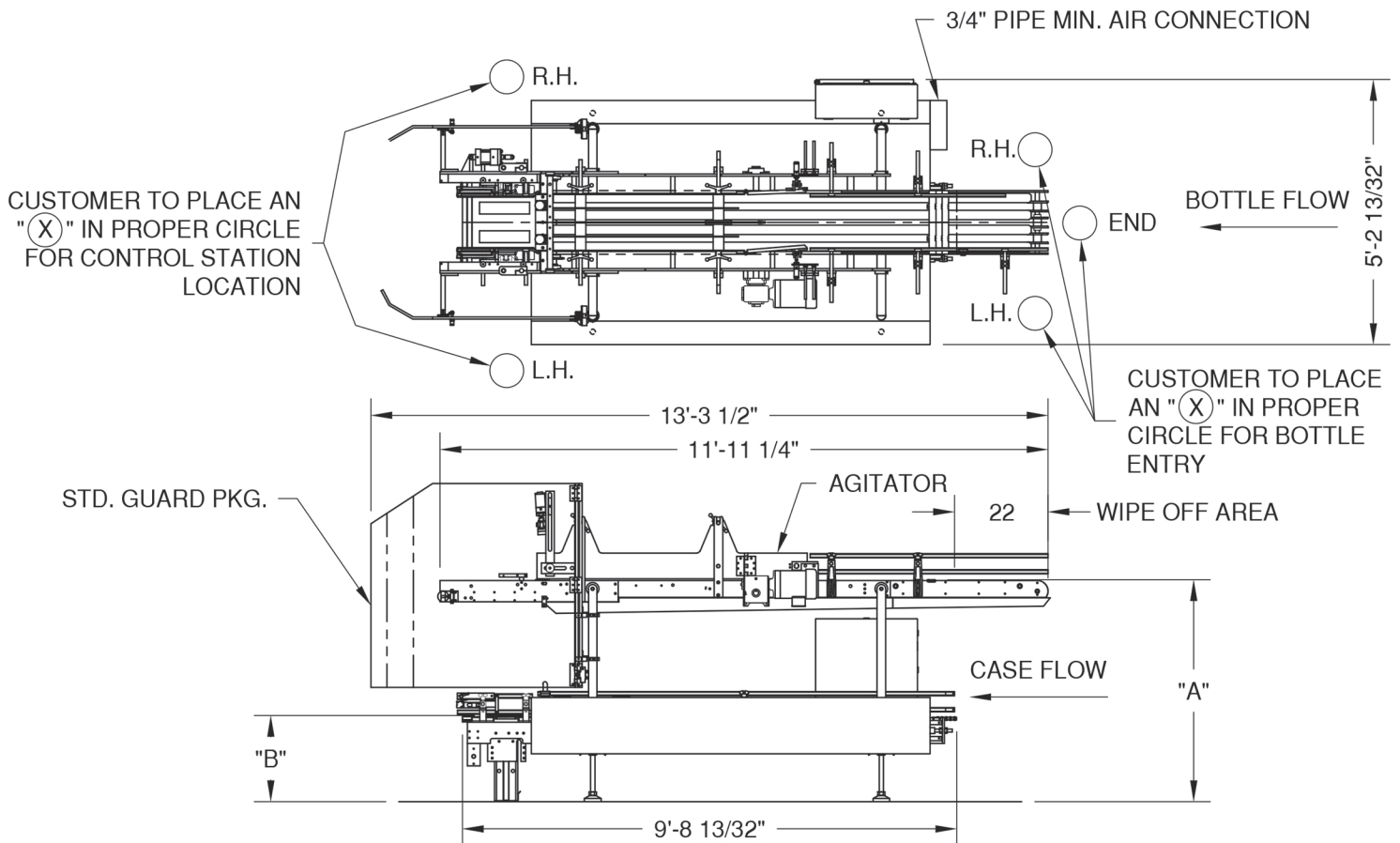


Low to Medium
Production Volume



HAMRICK

300 "E" DROP PACKER



Unit Specifications:

- One (1) packing head included
- Allen-Bradley MicroLogix 1400 PLC
- Stainless steel container and case guides
- Steel-It corrosion resistant paint
- NEMA 12 electrical
- Pneumatic bottle agitator
- Prime and back-up photo eyes

Upgrades Available:

- "D" Series for non-round containers
- Acculane servo on-board lane dividers
- 90° Bottle turner
- Tab-lock breaker on case lift
- All stainless steel construction with NEMA 4 electrical

One (1) Year Warranty and 100% Money Back Guarantee Always Included