

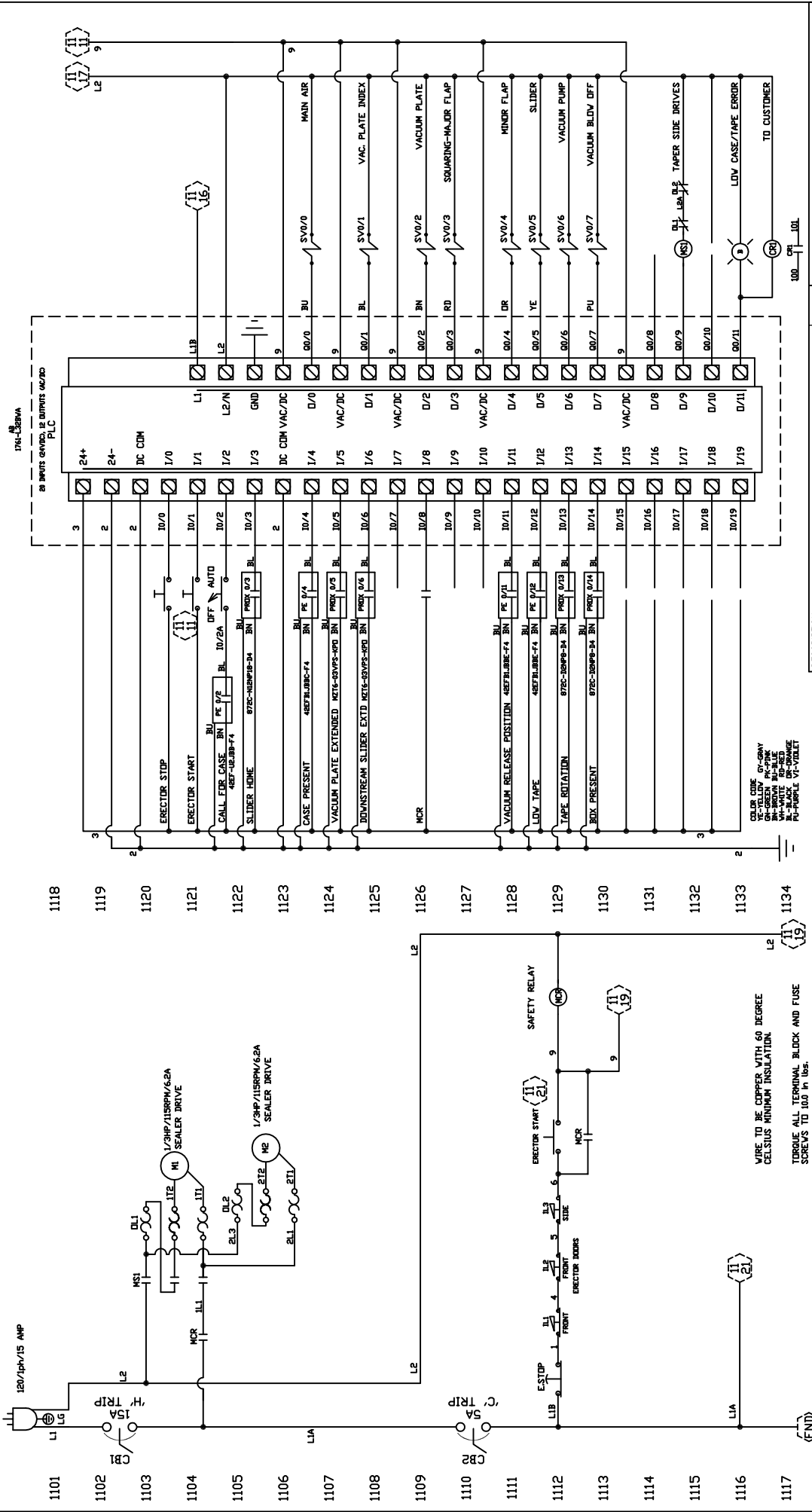
M A N U A L B O M

2EZPSB1L1G2.D - 2EZP SB Cat1,LH.110v,GrvMg,2"3M

133447-000

Item	Description	Qty	UM	Sub

2EZ12123XL	Elec - 2EZXL W/DOORS 120V N12/AB	1	ea	005
2EZ1200079.21	Kit - Low Tape/Taping Error LH PNP/12	1	ea	006
TB11200001.02	Kit - Discharge PE PNP/AB Sensor	1	ea	007
2EZ0500129.08	Covrs - 2EZSB (LH)	1	ea	008
2EZ0500107.10	Compnt - 2EZSB LH	1	ea	009
2EZ0500131.06	Pneum - 2EZSB/SBP 110V w/ or w/o Pwr	1	ea	010
2EZ0500123.04	Carag - 2EZPSB LH (2006)	1	ea	011
2EZ0500127.04	Guide - 2EZSB Plus Top Case (LH)	1	ea	012
2EZ0500128.04	Flow - 2EZSB Btm Flap Assy LH	1	ea	013
2EZ0500126.05	TpHd - 2EZSB Plus Btm Assy (2" Tp) LH	1	ea	014
2EZ0500002.36	Mag - 2EZSB, HS,&Plus LH Gravity(2006	1	ea	015
2EZ0500021.07	Assy - Case Indicators/Signs 2EZ XL	1	ea	016
2EZ0500106.13	Vacum - 2EZPSB (PIAB)110VAC Tall Case	1	ea	017
4BE0500007.13	Openr - Major Flap 2EZSB Plus	1	ea	018



DESCRIPTION	SIZE
2EZSB 120V DUAL DRIVE PIAB	B
DRAWN BY TMB	DRAWN DATE 12/1/06
CHECKED BY	CHECK DATE
DATE: 02/06/07 REV. BY: BSB	
SHOP AS BUILT.	
NOTE: THIS DRAWING IS NOT TO BE REPRODUCED OR COPIED WITHOUT CONSENT FROM COMBI PACKAGING SYSTEMS	
DWG NO 2EZ07133447	

TORQUE ALL CONTROLLER TERMINAL SCREWS TO 80 IN LBS.

TORQUE ALL TERMINAL BLOCK AND FUSE SCREWS TO 100 IN LBS.

WIRE TO BE COPPER WITH 60 DEGREE CLEANSUR MINIMUM INSULATION.

TORQUE ALL TERMINAL BLOCK AND FUSE SCREWS TO 100 IN LBS.



M A N U A L B O M

2EZ12123XL - Elec - 2EZXL W/DOORS 120V N12/AB

133447-005

Item	Description	Qty	UM	Sub
PE0070350	Brkt - PE Mtg Right Angle Turck MB-	2	ea	000
2EZ0200011.03	Encl - 4 Hole SELECTOR Comp. (2EZ/2EZ	1	ea	000
PA0000008-UL	Nmplt - Combi Packaging UL Version	1	ea	000
PE0071140	Swtch - Cyl Pos Sick MZT6-03VPS-KPO	2	ea	000
PE0020101	Nut - Lock 1/2"	19	ea	000
2EZ1211005	Encl - 2EZ XL Pre Assy & Wired Nema 1	1	ea	000
PE0020254	Ftg - Cordgrip Str .375-.500 3/4" NPT	1	ea	000
PE0020102	Nut - Lock 3/4"	1	ea	000
PT0320171B	Motor - 1/3HP/115R/1PH PS-Gear BALDOR	2	ea	000
PE0071286	Swtch - Sfty 1NO/2NC (QD) AB 440K-C21	3	ea	000
PE0071206	Cord - QD 4C Micro DC F 10m ST AB	3	ea	000
PE0071143	Brkt - Cyl Pos Prox Mtg Sick 32-63mm	1	ea	000
PE0071141	Brkt - Cyl Pos Prox Mtg Sick/Clamp on	1	ea	000
PE0071147	Cord - QD 3C Pico 10M 889P-F3AB-10	2	ea	000
PE0000043	Cord - 8' ST 12/3 Black 0.615" OD 1FD	1	ea	000
PE0071198	Swtch - Prox Ind 18MM AB 872C-N12NP18	1	ea	000
PE0071195	PE - Fixed Focus (50) AB 42EF-B1JBBC-	2	ea	000
PE0071208	Cord - QD 6C Mini AC F 5m ST AB	3	ea	000
TB10300754.02	Bar - Door Switch Mounting	3	ea	000
PE0030030	Base - 8 Pin Slimline	1	ea	000
PE0000242	Gland - 2 Hole Cord Grip	1	ea	000
PE0030029	Relay - 5 Pin 120VAC Coil	1	ea	000

M A N U A L B O M

2EZ1200079.21 - Kit - Low Tape/Taping Error LH PNP/120V

133447-006

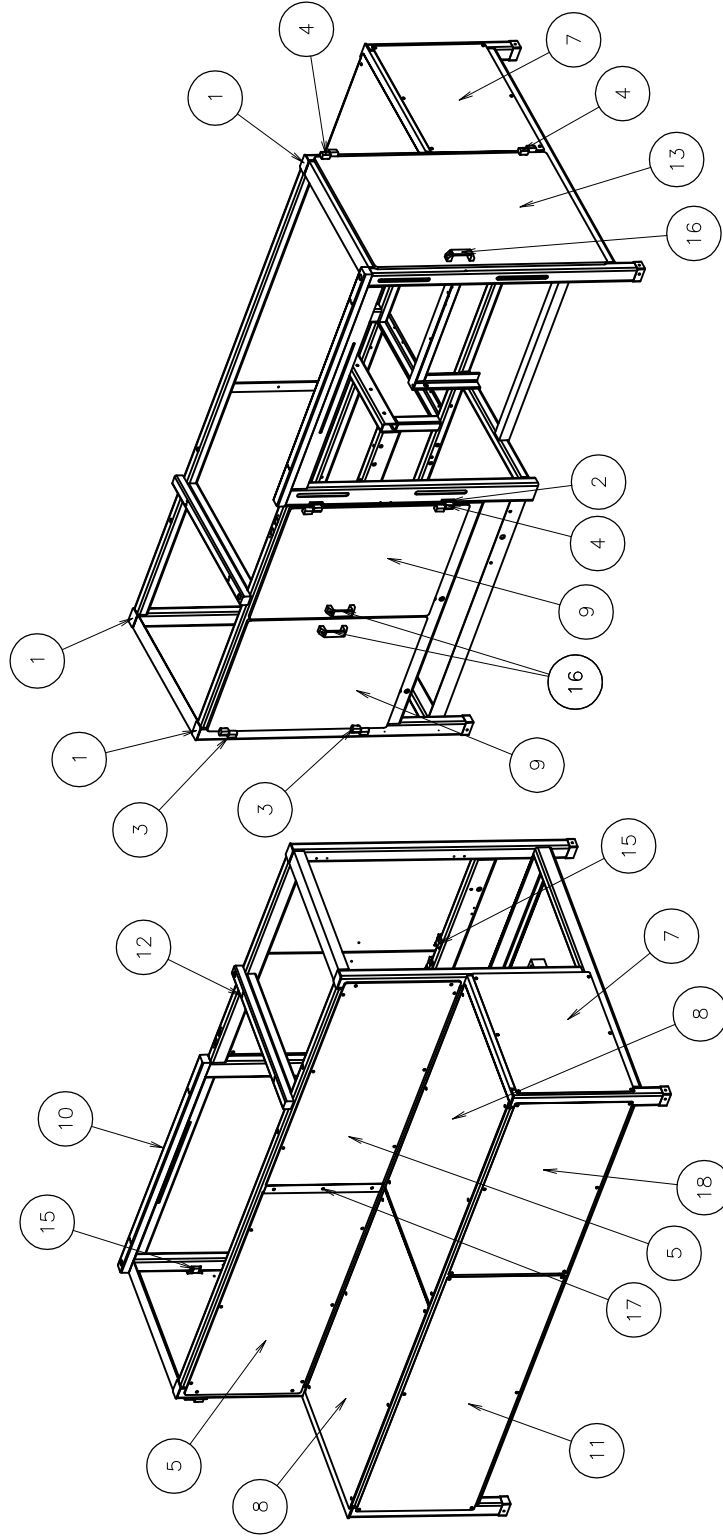
Item	Description	Qty	UM	Sub
PE0071195	PE - Fixed Focus (50) AB 42EF-B1JBBC-	1	ea	000
PE0071196	Swtch - Prox Ind QD/8mm 872C-D2NP8-D4	2	ea	000
PE0071206	Cord - QD 4C Micro 10m AB	1	ea	000
PE0071209	Cord - QD 4C Micro 10m RA AB	2	ea	000
TB10100254.01	Brkt - Case Present Prox Mount (LH)	1	ea	000
TB10100269.01	Plate - Low Tape PE Mtg	1	ea	000
PE0070753	Light - Stack Blue 50mm 120v AB 855E	1	ea	000
TB10200115.02	Rollr - 3M Tape Head Modified CW 2"	1	ea	000
TB10100266	Brkt - Prox Tape Moving Mounting	1	ea	000
PE0070754	Pole - Extension 4.0 in w/Base AB 855	1	ea	000
PE0020101	Nut - Lock 1/2"	6	ea	000

M A N U A L B O M

TB11200001.02 - Kit - Discharge PE PNP/AB Sensor PC
 133447-007

Item	Description	Qty	UM	Sub
PE0071239	PE - Retro/Polar QD AB 42EF-P2JBB-F	1	ea	000
PE0020101	Nut - Lock 1/2"	1	ea	000
STD0200020.01	Rfltr - Tape 2" Long	1	ea	000
PE0070350	Brkt - PE Mtg Right Angle Turck MB-	2	ea	000
PE0071206	Cord - QD 4C Micro DC F 10m ST AB	1	ea	000

DWG NO 2EZ0500129.08



MATERIAL	FINISH	DESCRIPTION	SCALE
(UNLESS OTHERWISE SPECIFIED) .000 = ±.003 .00 = ±.010 ANGLES = ±1/2° FRACTIONS = ±1/64	NOTE: THIS DRAWING IS NOT TO BE REPRODUCED OR COPIED WITHOUT CONSENT FROM COMBI PACKAGING SYSTEMS	COVRS - 2EZSB (LH)	1:20
		DRAWN BY J.Koehler	DRAFT DATE 06.19.06
		CHECKED BY	CHECK DATE
			SIZE B
			DWG NO 2EZ0500129.08



PACKAGING SYSTEMS LLC

M A N U A L B O M

2EZ0500129.08 - Covrs - 2EZSB (LH) PC
 133448-008

BOM Item	Description	Qty	UM	Sub
1 SCE0300156.03	Cap - Tubing (3x2x3/16" Wall)	3	ea	000
2 STD0300030.01	Brkt - Hinge Mounting	6	ea	000
3 PA0010089	Hinge - Lift-Off Door Positioning (L	2	ea	000
4 PA0010090	Hinge - Lift-Off Door Positioning (R	4	ea	000
5 2EZ0100027.26	Cover - Rear Plexiglass	2	ea	000
7 2EZ0100017.11	Cover - Side (PC Steel-It)	2	ea	000
8 2EZ0100094.02	Cover - Top Left (Steel-It)	2	ea	000
9 2EZ0100058.16	Door - Front Plexiglass 2EZSB Plus	2	ea	000
10 2EZ0100021.19	Cover - Mag Height Adj (PC-Steel-It)	1	ea	000
11 2EZ0100059.13	Cover - Rear (PC-Steel-It)	1	ea	000
12 2EZ0100021.17	Cover - Guide Height Adj (PC-Steel-I	1	ea	000
13 2EZ0100064.05	Door - Side Plexiglass	1	ea	000
15 PA0010049	Latch - Door SouthCo C3-8	4	ea	000
16 PA0010023	Handl - Standard Pull Type	3	ea	000
17 2EZ0100092.01	Plate - Plexi Hold Down	1	ea	000
18 2EZ0100059.22	Cover - Rear (PC-Steel-It)	1	ea	000
PA0020025	Ftg - Plug 1/4" NPT Pipe	2	ea	000

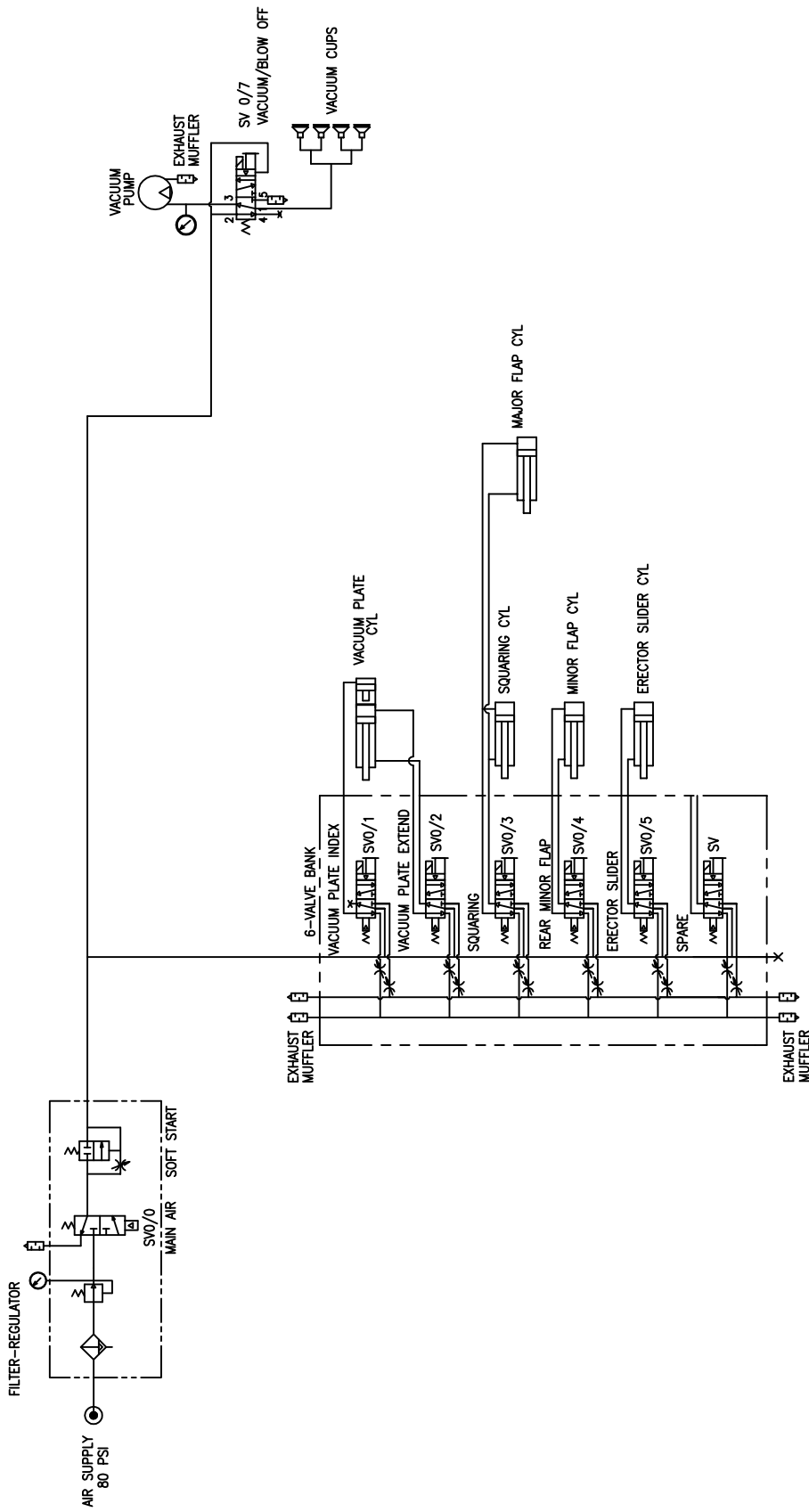
M A N U A L B O M

2EZ0500107.10 - Compnt - 2EZSB LH PC

133447-009

Item	Description	Qty	UM	Sub
PS0450073	Head - 3M Accuglide 2" (UpperRH,Lower	1	ea	000
2EZ0100003.19	Guide - LH SB Inside Case	1	ea	000
2EZ0300206.06	Plate - Vacuum 2EZ HS LH	1	ea	000
TB10400018.09	Ftblt - Caster Mtg, 1-1/2" x 9" PLT	4	ea	000
PT0290030	Collr - 1-1/2" Two Piece Shaft	4	ea	000

DWG NO 7E7PS807133446-448-P



STD 2E7SB PLUS

MATERIAL	FINISH	DESCRIPTION	SCALE
—	—	PNEUMATIC SCHEMATIC	6"=10"
<small> TOLERANCES (UNLESS OTHERWISE SPECIFIED) .000 = ±.003 .00 = ±.010 ANGLES = ±1/2° FRACTIONS = ±1/64 </small>		<small> NOTE: THIS DRAWING IS NOT TO BE REPRODUCED OR COPIED WITHOUT CONSENT FROM COMBI PACKAGING SYSTEMS </small>	<small> DRAWN BY GSD </small>
		<small> DRAFT DATE 01/03/07 </small>	<small> CHECK DATE — </small>
		<small> CHECKED BY — </small>	<small> SIZE B </small>
		<small> DWG NO 7E7PS807133446-448-P </small>	

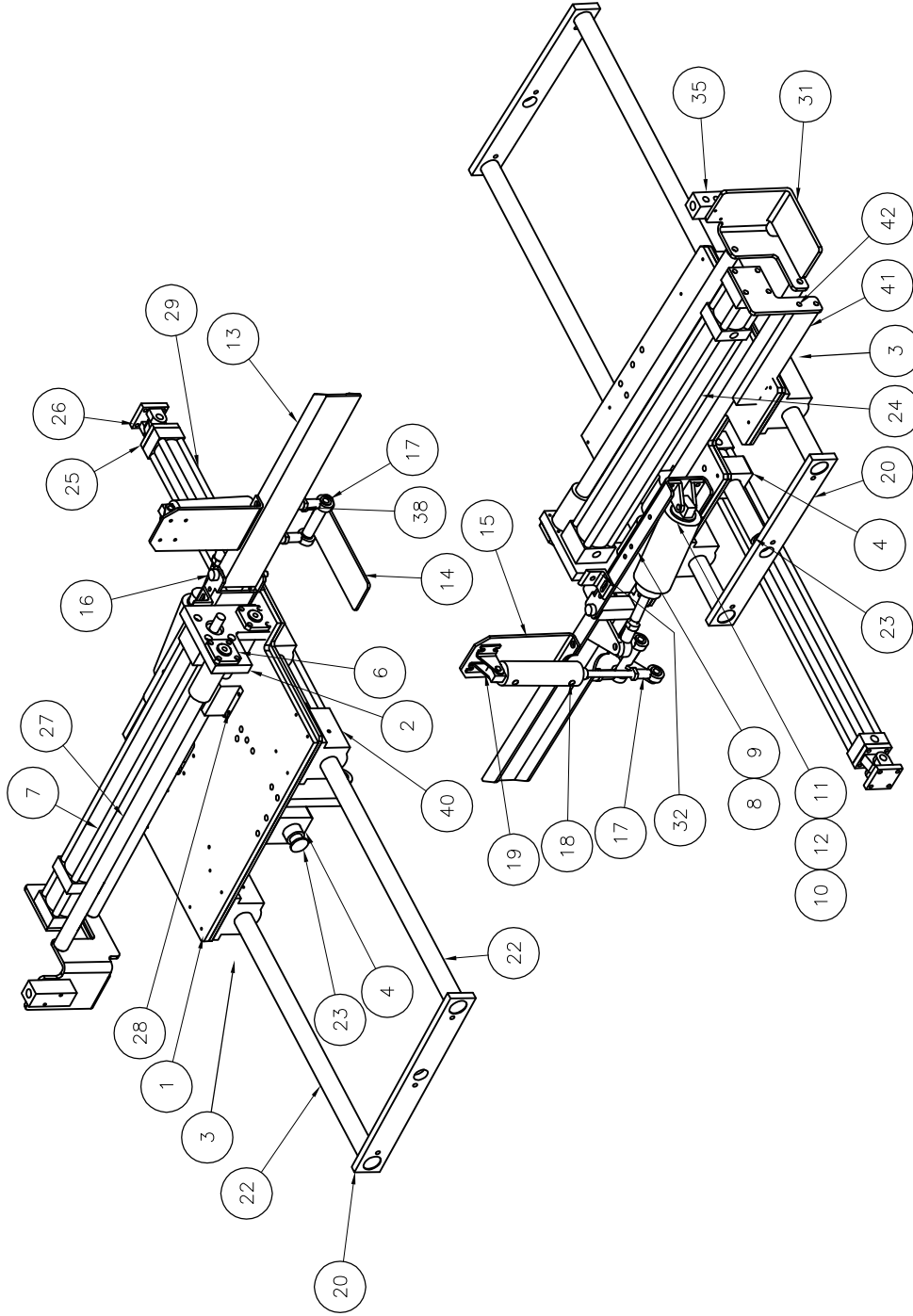
M A N U A L B O M

2EZ0500131.06 - Pneum - 2EZSB/SBP 110V w/ or w/o Pwr Mag

133447-010

Item	Description	Qty	UM	Sub
PN0180374	Bank - Mac 6 Valve 92B Series (110V)	1	ea	000
PN0180409	Valve - 1/2" Sft Start/Main Air/FR 11	1	ea	000
4CE0300173.01	Plate - Valve Mounting	1	ea	000

DWG NO 2EZ0500123.04



MATERIAL
SEE B/M
TOLERANCES
(UNLESS OTHERWISE SPECIFIED)
.000 = ±.003
.00 = ±.010
ANGLES = ±1/2°
FRACTIONS = ±1/64

FINISH
—
NOTE: THIS DRAWING IS NOT TO BE REPRODUCED OR COPIED WITHOUT CONSENT FROM COMBI PACKAGING SYSTEMS

DESCRIPTION
CARRIAGE — 2EZPSB (LH)
DRAWN BY
SRB
CHECKED BY

SCALE
1:5.3333
DRAFT DATE
03/01/06
CHECK DATE
SIZE
B
COMBI PACKAGING SYSTEMS LLC
DWG NO 2EZ0500123.04

M A N U A L B O M

2EZ0500123.04 - Carag - 2EZPSB LH (2006) PC

133447-011

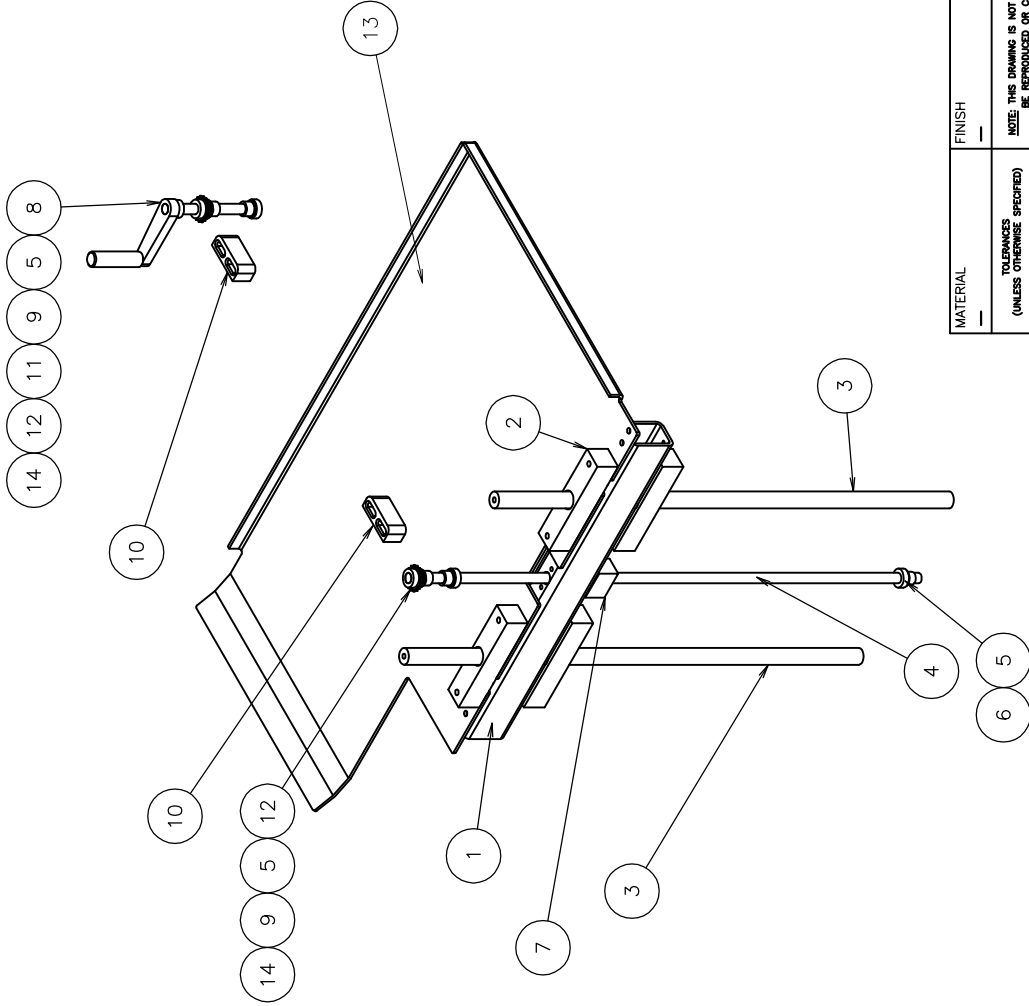
BOM Item	Description	Qty	UM	Sub
1 2CE0200014.16	Plate - Carriage (2EZ) Alum	1	ea	000
2 2EZ0300251.03	Plate - 2EZSB Cylinder Mounting (LH)	1	ea	000
3 PT0348106	Brg - Linear PBlock 1.1/4" Shaft (IG	2	ea	000
4 2CE0300381.07	Block - Head Shock Mounting	2	ea	000
6 2EZ0200074.01	Brg - Modified	2	ea	000
7 PN0162275SB	Cyl - S-B 2 x 1 x 19-5/8 W/Mag Pist	1	ea	000
8 2CE0300023	Spacr - Squaring Arm	1	ea	000
9 2CE0100001.02	Chanl - Case Squaring Arm Mounting	1	ea	000
10 PN0160174	Brkt - Bimba Mounting D620	1	ea	000
11 PN0160173	Cyl - SR 2 x 2 W/Mag. Piston	1	ea	000
12 PN0150013	Uniball - 1/2 Female Ball Rod End	2	ea	000
13 3CE0400004	Arm - Case Squaring	1	ea	000
14 3CE0400016	Kickr - Rear Minor Flap	1	ea	000
15 2CE0100003.12	Angle - Btm Rear Minor Cyl Mtg Brkt	1	ea	000
16 A242823-044	Fstnr - 1/2" x 3-1/4" Shldr Bolt	1	ea	000
17 PN0150034	Uniball - 7/16 Female Ball Rod End	3	ea	000
18 PN0160108	Cyl - SR 1-1/2" x 3"	1	ea	000
19 PN0160101	Brkt - Bimba Pivot D-229	1	ea	000
20 2CE0300030.14	Block - Mtg Carriage Rods (CRS)	2	ea	000
22 4CE0300010.07	Shaft - Guide 1-1/4" Dia. x 40 1/4	2	ea	000
23 PN0160237	Shock - Absorber 2"Stroke X 1-3/8"TH	2	ea	000
24 2CE0300032.08	Arm - Cylinder Traverse (CRS)	1	ea	000
25 PN0150016SB	Brkt - S-B Eye Bore = 1.5	1	ea	000
26 PN0150022SB	Clevs - S-B MP2 1.5"Bore W/Pivot Pin	1	ea	000

M A N U A L B O M

2EZ0500123.04 - Carag - 2EZPSB LH (2006) PC
 133447-011

BOM Item	Description	Qty	UM	Sub
27 3HL0300127.115	Shaft - Guide 1"CPM X 28 5/8"Lg	2	ea	000
28 PT0348109	Brg - Linear PBlock 1" Shaft, Sa, (I	1	ea	000
29 PN0162890SB	Cyl - S-B 1-1/2 x 24 FW2A100001SX	1	ea	000
31 2EZ0100010.19	Mnfld - 2EZSB LH W/ Prox Target	1	ea	000
32 2EZ0300207.01	Angle - Cylinder Support	1	ea	000
34 A242823-020	Fstnr - 1/2" x 5/8" Shldr Bolt	1	ea	000
35 PN0020179	Block - Manifold	1	ea	000
37 PA0000030.01	Caier - Cable Assembled Unit	1	ea	000
38 2EZ0300217.03	Spacr - Uniball	2	ea	000
39 PA0010233	Clamp - Hose 3/8" SST w/Silicone	1	ea	000
40 PT0348107	Brg - Linear PBlock 1.1/4" Shaft (IG	2	ea	000
41 2EZ0300301.01	Bar - Support	1	ea	000
42 2EZ0300300.01	Plate - Cylinder Support	1	ea	000
43 2CE0300201	Pad - Carriage Block Shock	2	ea	000
PE0020071	Clamp - Conduit 1-1/2" Rigid SSTL	1	ea	000
PE0020142	Clamp - Conduit Rigid 1/4"	1	ea	000

DWG NO 2EZ0500127.04



MATERIAL	FINISH	DESCRIPTION	SCALE
(UNLESS OTHERWISE SPECIFIED) .000 = ±.003 .00 = ±.010 ANGLES = ±1/2° FRACTIONS = ±1/64	—	GUIDE - 2EZSB PLUS TOP CASE LH	1:5.3333
	NOTE: THIS DRAWING IS NOT TO BE REPRODUCED OR COPIED WITHOUT CONSENT FROM COMBI PACKAGING SYSTEMS	DRAWN BY KBD	DRAFT DATE 05/06/2005
		CHECKED BY	CHECK DATE
			SIZE B
			DWG NO 2EZ0500127.04



PACKAGING SYSTEMS LLC

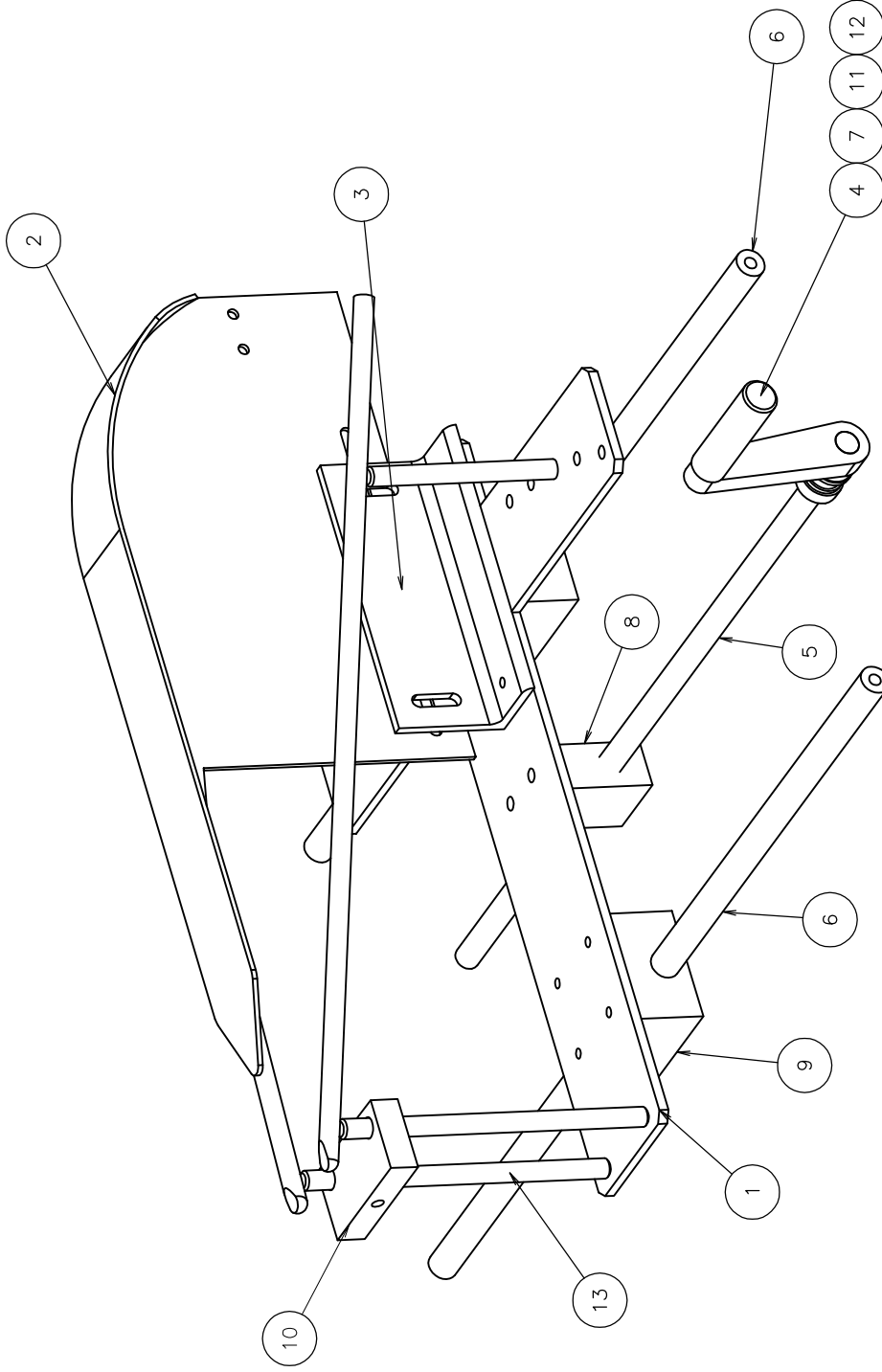
M A N U A L B O M

2EZ0500127.04 - Guide - 2EZSB Plus Top Case (LH) PC

133447-012

BOM Item	Description	Qty	UM	Sub
1 2EZ0300065.13	Suprt - Case Hold Down	1	ea	000
2 2EZ0300097.01	Block - Shaft Support	4	ea	000
3 2BE0300243.145	Bar - 1"Dia X 32-15/16"Lg(3/8-16Tap)	2	ea	000
4 2BE0300362.18	Thread - Acme 2G 5/8-8 (36-3/4" Lg)	1	ea	000
5 PT0290006	Collr - 5/8"ID X 3/8" Wide Shaft	3	ea	000
7 TB10300463.03	Nut - Drive Adjustment	1	ea	000
8 2BE0200011.01	Handl - Std. Mag Height Adj Crank RH	1	ea	000
9 2BE0200010S	Sprkt - Height Adjustment (5/8 RH AC	2	ea	000
10 2BE0300372S	Brg - Std Magazine Chain Take Up	1	ea	000
11 2BE0300362.75	Thread - Acme 5/8-8 RH (6-1/2" CRS)	1	ea	000
12 PT0345074	Brg - Oil Flange 5/8 x 7/8 x 5/8	6	ea	000
13 2EZ0100082.08	Guide - 2EZSB Plus Top Case (LH)	1	ea	000
14 PT0349020	Brg - Ball Thrust EW-5/8	2	ea	000
15 PT0310015	Link - #25 Connecting	1	ea	000
16 PT0310012	Chain - #25 (Roller)	7	ft	000
17 PA0010032	Handl - Ratchet 5/16-18 x 1" Lg	2	ea	000
18 PT0310022	Link - #25 Offset Connector	1	ea	000

DWG NO 2EZ0500128.04



MATERIAL SEE B/M	FINISH —	DESCRIPTION PLW - 2EZSB PLUS BTM FLAP ASSY LH	SCALE 1:2.6667	DRAWN BY BPL	CHECK DATE 01/13/05	SIZE B	DWG NO 2EZ0500128.04
TOLERANCES (UNLESS OTHERWISE SPECIFIED) .000 = ±.003 .00 = ±.010 ANGLES = ±1/2° FRACTIONS = ±1/64							

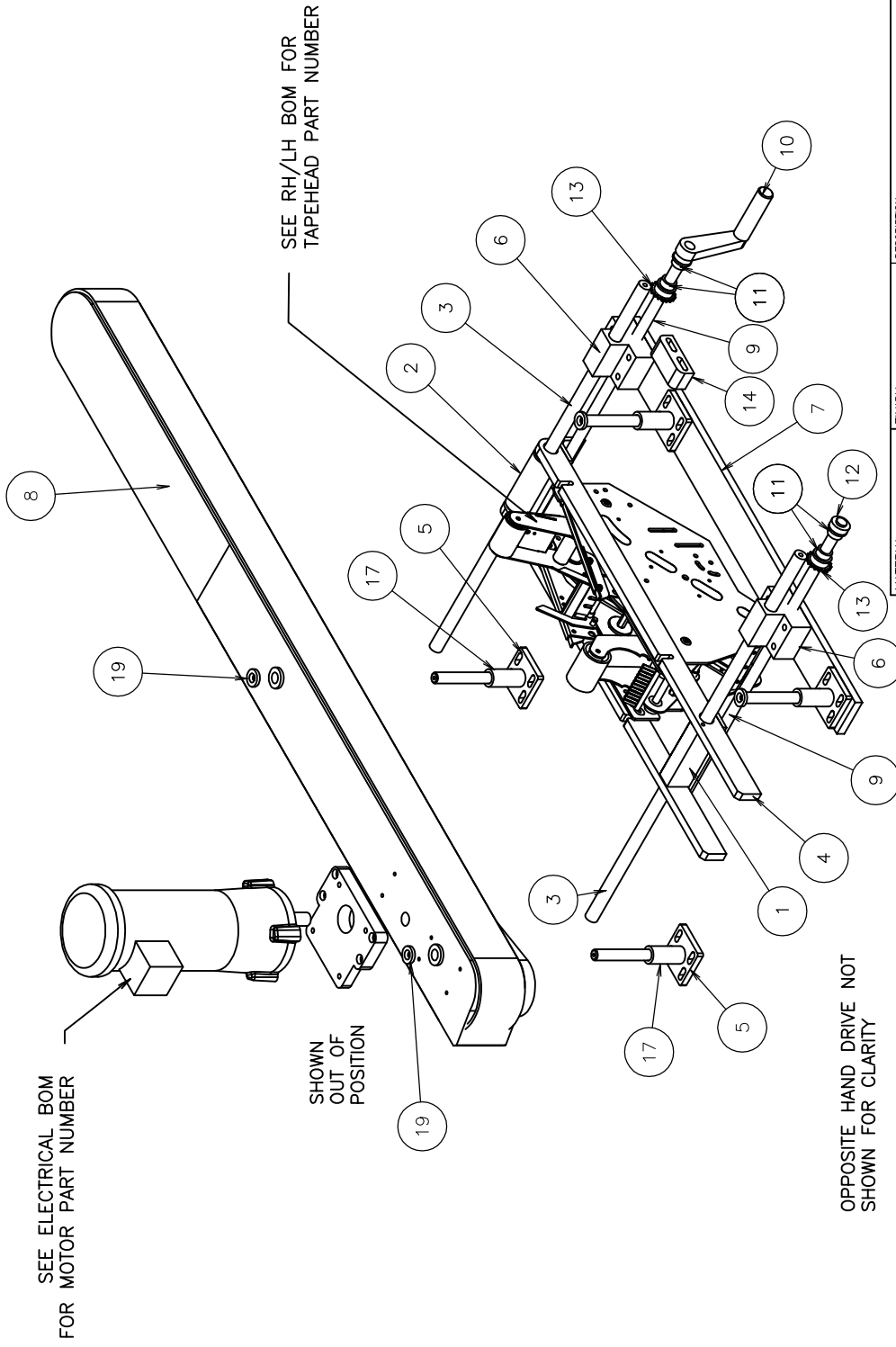
M A N U A L B O M

2EZ0500128.04 - Plow - 2EZSB Btm Flap Assy LH PC

133447-013

BOM Item	Description	Qty	UM	Sub
1 2EZ0100095.02	Plate - Flap Plow Adj Support	1	ea	000
2 2EZ0400020.08	Plow - Center Main SST	1	ea	000
3 2EZ0300083.12	Angle - Center Plow Mounting	1	ea	000
4 2BE0200011.01	Handl - Std. Mag Height Adj Crank RH	1	ea	000
5 2BE0300362.52	Thread - Acme 5/8-8 RH (25" Lg CRS)	1	ea	000
6 2BE0300161.154	Rod - 3/4"dia X 28-3/8"lg(3/8-16 Tap	2	ea	000
7 PT0290006	Collr - 5/8"ID X 3/8" Wide Shaft	1	ea	000
8 TB10300463.04	Nut - Drive Adjustment	1	ea	000
9 2EZ0300084.05	Block - Slide	2	ea	000
10 2EZ0300140.11	Block - Pin Housing	1	ea	000
11 PT0345073	Brg - Oil Flange 5/8 X 7/8 X 1/2	1	ea	000
12 PT0349019	Brg - Oil Thrust 5/8 x 1 x 1/8	1	ea	000
13 2EZ0400018.19	Plow - 2EZ Major Flap	2	ea	000
14 A242823-018	Fstnr - 1/2" x 1/2" Shldr Bolt	1	ea	000
15 PC0000003	Wheel - Matthews Skatewheel B4000-1	6	ea	000

DWG NO 2EZ0500126.05



SEE ELECTRICAL BOM
FOR MOTOR PART NUMBER

SHOWN
OUT OF
POSITION

SEE RH/LH BOM FOR
TAPEHEAD PART NUMBER

OPPOSITE HAND DRIVE NOT
SHOWN FOR CLARITY

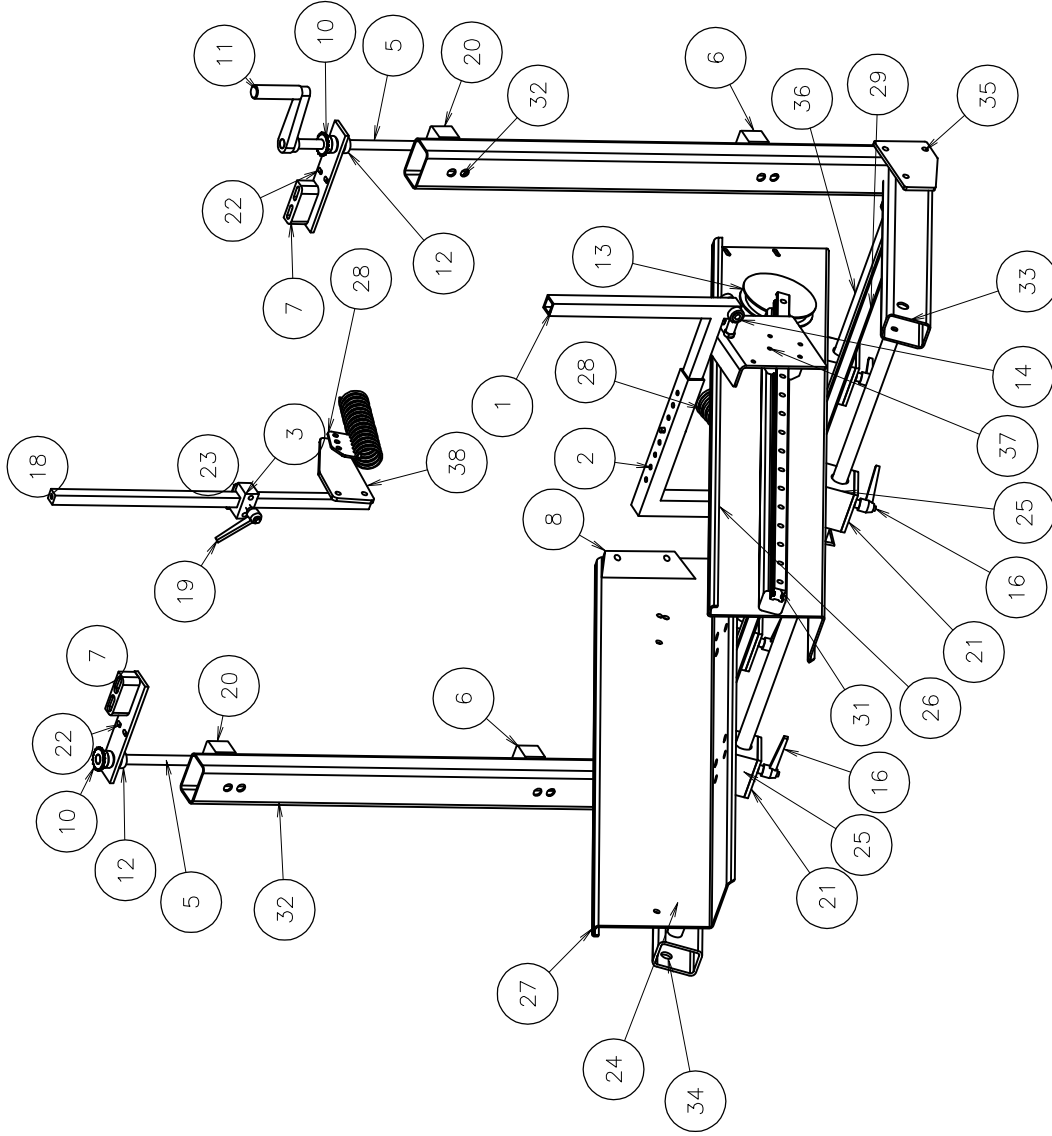
MATERIAL	FINISH	DESCRIPTION
(UNLESS OTHERWISE SPECIFIED) .000 = ±.003 .00 = ±.010 ANGLES = ±1/2° FRACTIONS = ±1/64	NOTE: THIS DRAWING IS NOT TO BE REPRODUCED OR COPIED WITHOUT CONSENT FROM COMBI PACKAGING SYSTEMS	TPHD - 2EZSB BOTTOM ASSY LH
		SCALE 3"=10"
		DRAFT DATE 04/04/05
		CHECK DATE
		SIZE B
		DWG NO 2EZ0500126.05
		COMBI PACKAGING SYSTEMS LLC

M A N U A L B O M

2EZ0500126.05 - TpHd - 2EZSB Plus Btm Assy (2" Tp) LH PC

133447-014

BOM Item	Description	Qty	UM	Sub
1 2EZ0300029.01	Block - Tapehead Slide	1	ea	000
2 2EZ0300117.01	Rollr - Tapehead	1	ea	000
3 2BE0300161.152	Rod - 3/4"dia X 28-5/8"lg(3/8-16 Tap	2	ea	000
4 2EZ0400021.12	Suprt - 3M Tapehead 2EZ	1	ea	000
5 2EZ0400050.04	Suprt - Drive Mounting	4	ea	000
6 2EZ0300182.06	Block - Drive Adjust	2	ea	000
7 2EZ0300183.08	Plate - Drive Adjust	1	ea	000
8 PS0450181	Drive - 3M 800A Ext Assy RH	1	ea	000
9 2BE0300362.09	Thread - Acme 2G 5/8-8 (21-1/2"Lg.)	2	ea	000
10 2BE0200011.01	Handl - Std. Mag Height Adj Crank RH	1	ea	000
11 PT0345073	Brg - Oil Flange 5/8 X 7/8 X 1/2	4	ea	000
12 PT0290006	Collr - 5/8"ID X 3/8" Wide Shaft	1	ea	000
13 2BE0200010S	Sprkt - Height Adjustment (5/8 RH AC	2	ea	000
14 2BE0300372S	Brg - Std Magazine Chain Take Up	1	ea	000
15 PT0310012	Chain - #25 (Roller)	4	ft	000
16 PT0310015	Link - #25 Connecting	1	ea	000
17 2EZ0300198.15	Collar - Drive Support	4	ea	000
18 PA0010213	Cap - Drive Shaft	4	ea	000
20 PS0450182	Drive - 3M 800A Ext Assy LH	1	ea	000



<p>NOTE: THIS DRAWING IS NOT TO BE REPRODUCED OR COPIED WITHOUT THE WRITTEN PERMISSION OF COMBI PACKAGING SYSTEMS</p>	<p>SCALE: 1/8" = 1'</p>	<p>MACHINE: 2EZSB, HS.& PLUS LH</p>
	<p>DRAWN: SRB</p>	<p>USED ON:</p>
<p>CHECKED:</p>	<p>DATE: 030106</p>	<p>DESCRIPTION: MAG - 2EZSB Gravity</p>
<p>DATE:</p>	<p>DATE:</p>	<p>PART NUMBER: 2EZ0500002.36</p>



M A N U A L B O M

2EZ0500002.36 - Mag - 2EZSB, HS,&Plus LH Gravity(2006)PC

133447-015

BOM Item	Description	Qty	UM	Sub
1 2CE0400013.02	Arm - Case Support	1	ea	000
2 2CE0400014.02	Tube - Extn Arm	1	ea	000
3 2BE0300252.01	Block - Clamp For 3/4" Sq. (CRS)	1	ea	000
5 2BE0300362.25	Thread - Acme 2G 5/8-8 (41" Lg.)	2	ea	000
6 2BE0300363.09	Block - Height Adjustment Clearance	2	ea	000
7 2BE0300372S	Brg - Std Magazine Chain Take Up	2	ea	000
8 2CE0300075	Stop - Box (Hyfax)	1	ea	000
9 2CE0300079.02	Stop - Box (SST)	2	ea	000
10 2BE0200010S	Sprkt - Height Adjustment (5/8 RH AC	2	ea	000
11 2BE0200011.01	Handl - Std. Mag Height Adj Crank RH	1	ea	000
12 PT0290006	Collr - 5/8"ID X 3/8" Wide Shaft	2	ea	000
13 PA0010082	Reel - Magazine Elevator W/Two Holes	1	ea	000
14 PN0150002	Uniball - 3/8 Female Ball Rod End	2	ea	000
15 PA0000029	Pin - Quick Release 5/16 Dia. 1.3"lg	1	ea	000
16 PA0010009	Handl - Ratchet 3/8-16 x 1" Lg	4	ea	000
17 PT0345074	Brg - Oil Flange 5/8 x 7/8 x 5/8	1	ea	000
18 2EZ0400058.08	Brkt - Spring Mounting	1	ea	000
20 2BE0300363.10	Block - Height Adjustment Tap	2	ea	000
21 2EZ0300027.01	Plate - Magazine Slide Adj.(Lock Dow	4	ea	000
22 3CE0300220.04	Plate - Magazine Thread Mounting HD	2	ea	000
23 2HL0300360.02	Spacr - Adj Wall Mounting Bracket	1	ea	000
24 2BE0300243.151	Bar - 1"Dia X 48-3/4"(3/8-16Tap)CPM	1	ea	000
25 TB10300391.01	Block - 1" Dia. Slide	4	ea	000
26 2EZ0100024.08	Guide - 2EZ Mag Case F/Follower (RT)	1	ea	000

M A N U A L B O M

2EZ0500002.36 - Mag - 2EZSB, HS,&Plus LH Gravity(2006)PC

133447-015

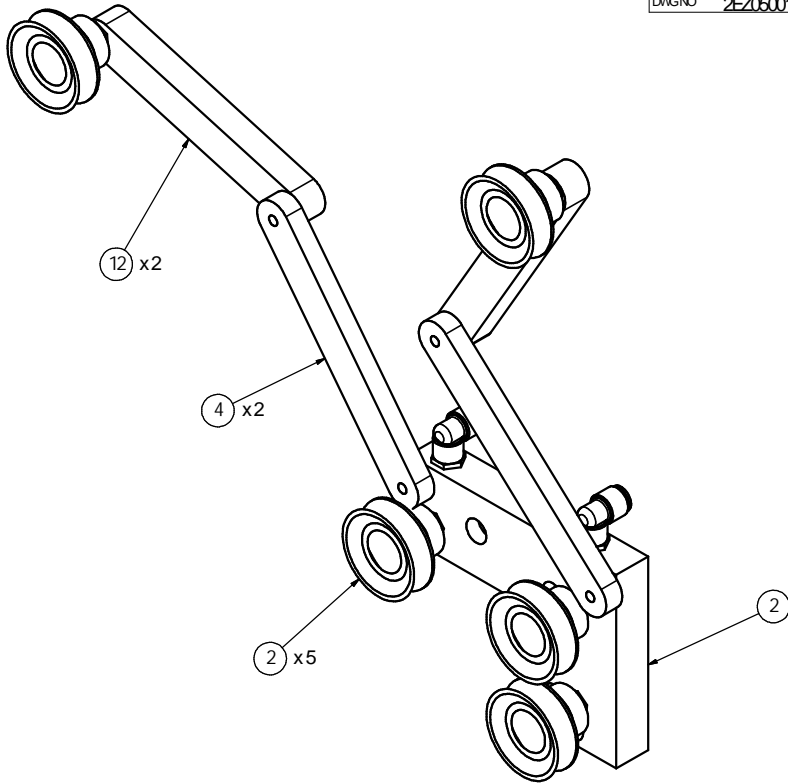
BOM Item	Description	Qty	UM	Sub
27 2EZ0100025.08	Guide - 2EZ Mag Case F/Follower (LT)	1	ea	000
28 2CE0400214.03	Wldmt - Case Opener Spring CRS	2	ea	000
29 2EZ0400036.25	Brkt - Scale Mounting (2EZ Plus)	1	ea	000
30 PT0349020	Brg - Ball Thrust EW-5/8	2	ea	000
31 PT0900001	Kit - Magazine Follower 950mm (Std)	1	ea	000
32 2CE0300076.05	Suprt - Frame Vertical HD	2	ea	000
33 2BE0300369.33	Suprt - Magazine Frame HD	1	ea	000
34 2BE0300369.34	Suprt - Magazine Frame HD	1	ea	000
35 2EZ0300158.11	Plate - Magazine Pivot	2	ea	000
36 2BE0300243.141	Bar - 1"Dia X 52 3/4"Lg(3/8-16Tap)CP	1	ea	000
37 2CE0100009.06	Plate - Support Arm LH	1	ea	000
38 2EZ0300240.01	Brkt - Spring Mounting	1	ea	000
PA0010069	Cap - 3/4" Dia. Hole Black Plastic	2	ea	000
PT0310015	Link - #25 Connecting	1	ea	000
PT0310012	Chain - #25 (Roller)	7	FT	000
PA0010194	Cap - End For 2" x 3" x 1/8" Tube	4	ea	000
PA0010054	Cap - PMC End 1-1/4" Sq. Tube 132-13	1	ea	000
2BE0300161.121	Rod - 3/4" Dia X 2-1/4"(1/4-20Tap)SS	1	ea	000
PA0010162	Cap - End for 3/4" Square Tube (1"O.	1	ea	000
2BE0300255.02	Rod - Box Opener Mtg Std Mag 24" Lg	1	ea	000
PA0010066	Cap - 5/8" Dia. Hole Black Plastic	8	ea	000


M A N U A L B O M

2EZ0500021.07 - Assy - Case Indicators/Signs 2EZ XL PC
 133447-016

Item	Description	Qty	UM	Sub
PA0010086	Ruler - Adhesive Vertical English/Met	3	ea	000
PA0110009	Label - "Combi Packaging Systems"	2	ea	000
PA0110020	Label - "Warning: Hazardous Voltage.	1	ea	000
PA0110006	Label - "Warning: Pinch points..."	2	ea	000
PA0110001	Label - "Caution: Starts Automatical	3	ea	000
PA0010087	Ruler - Adhesive Vertical 1/2scale(0-	2	ea	000
2EZ0100042.01	Pointr - Scale (7/32" Slot)	2	ea	000
2EZ0100042.02	Pointr - Scale (11/32" Slot)	2	ea	000
2DP0300015.51	Spacr - ALUM (1"OD X 7/32"ID X 7/16"1	1	ea	000
PA0110003	Label - "Warning: Moving parts can..."	4	ea	000
PA0110029	Label - "Caution: Moving Parts can cr	1	ea	000
PCV0100130.01	Brkt - Box Hold Down Mounting (1	ea	000
PA0110700.2EZ	2EZ XL Set-Up Video (CD-DVD)	1	ea	000
PA0010086WD.01	Ruler - Rigid WD Vertical English/Met	1	ea	000
STD0300028.63	Spacr - Shaft W/Thru Hole 1-11/16"Lg	1	ea	000

DWGNO 2EZ0500106-13



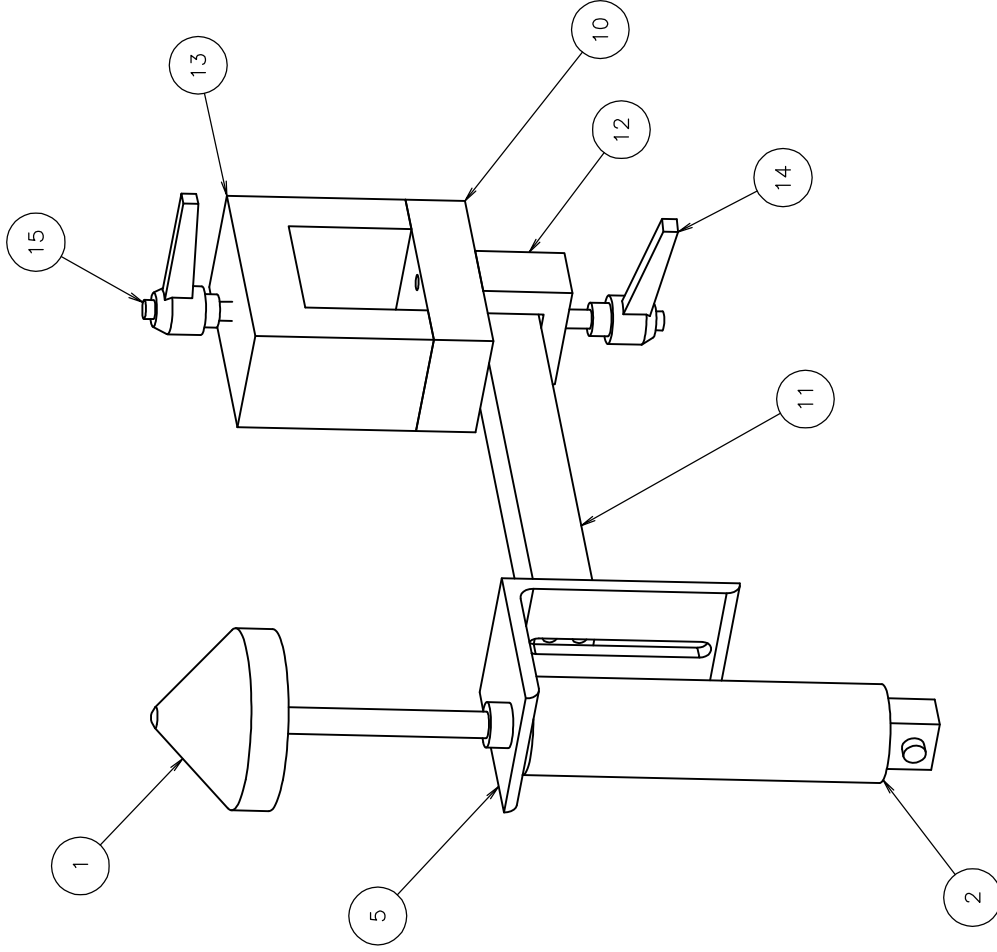
MATERIAL SEE BOM	FINISH -	DESCRIPTION VACUM- 2EZPSB (PIAB) 110/ACTALL CASE			 Combi PACKAGING SYSTEMS LLC
TOLEANCES (UNLESS OTHERWISE SPECIFIED) H00=±.005 D0=±.010 ANGLES=±1/2 FRACTION=±1/64	NOTE: THIS DRAWING IS NOT TO BE REPRODUCED OR COPIED WITHOUT CONSENT FROM COMBI PACKAGING SYSTEMS	DRAWN BY GSD	DRAFT DATE 1/2/2007	SCALE 1:2	
		CHECKED BY	CHECK DATE	SIZE B	DWGNO 2EZ0500106-13


M A N U A L B O M

2EZ0500106.13 - Vacum - 2EZPSB (PIAB)110VAC Tall Case PC

133447-017

BOM Item	Description	Qty	UM	Sub
2 PV0250021	Cup - Vacuum 1/8" NPT Vicas VC-B50	5	ea	000
4 2CE0300040.05	Suprt - Suction Cup (7-5/8" Lg) SST	2	ea	000
7 PA0020001	Ftg - Plug 1/8" Pipe	3	ea	000
8 PV0240044	Generator - Piab M40 W/Filtr,Valve,P	1	ea	000
9 2EZ0100055.01	Plate - Piab Mounting	1	ea	000
10 PN0180194	Valve - Shut Off Straight Union 3/8"	1	ea	000
13 2CE0300229	Bar - Extended Vacuum Cup Mounting	2	ea	000




PACKAGING SYSTEMS LLC
 PART NUMBER 4BE0500007.13

SCALE 1/2" = 1"		MACHINE 2EZ SBD PLUS	
DRAWN EED	DATE 090304	USED ON	
CHECKED	DATE	DESCRIPTION	OPENER - MAJOR FLAP 2EZ SBD PLUS

NOTE: THIS DRAWING IS NOT TO
 BE REPRODUCED OR COPIED
 WITHOUT CONSENT FROM
 COMBI PACKAGING SYSTEMS

M A N U A L B O M

4BE0500007.13 - Openr - Major Flap 2EZSB Plus PC

133447-018

BOM Item	Description	Qty	UM	Sub
1 4BE0300032	Buttn - Flap Opener	1	ea	000
2 PN0160108	Cyl - SR 1-1/2" x 3"	1	ea	000
5 2CE0300243.03	Angle - Actuator Cylinder Mounting	1	ea	000
8 PN0180148	Cntrl - Flow 1/8 x 1/8 NPT	1	ea	000
10 2EZ0300192.02	Plate - Clamp Connecting	1	ea	000
11 2EZ0300193.02	Bar - Flap Opener Adjust	1	ea	000
12 2BE0300254.01	Block - Clamp 1" (CRS)	1	ea	000
13 2BE0300254.06	Block - Clamp 2"	1	ea	000
15 PA0010151	Handl - Ratchet 5/16-18 x 1-1/4" Lg	1	ea	000