

LOG END SLICER

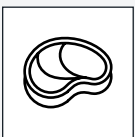
RECOVER LOG END SLICES, MAXIMIZE YIELD
AND ELIMINATE REWORK



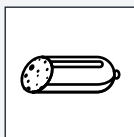
The Log End Slicer is specifically designed to recover usable slices from every product log end – increasing yield and eliminating rework and manual slicing. Its auto-loading system feeds log ends to the slicer, where they are weighted down for consistent slicing by our patented AccuBand disposable band blades. The Log End Slicer is ideal for large volume, premium deli meat slicing operations. Its user-friendly operation and sanitation allow for fast set-up, processing and thorough cleaning.

- Slice and portion log ends at up to 90 strokes per minute, per lane
- Recover premium slices from previously discarded butt ends without rework on every log sliced
- Programmable to recover only quality slices, discarding cap ends, or to slice through entire log ends
- Sanitary design with sloped services and easily removable parts allows for quick and thorough cleaning
- Disposable AccuBand® band blades eliminate resharpening, simplify clean-up and provide optimal slice quality, consistency and yield

COMMON FOOD APPLICATIONS



Fresh Meats



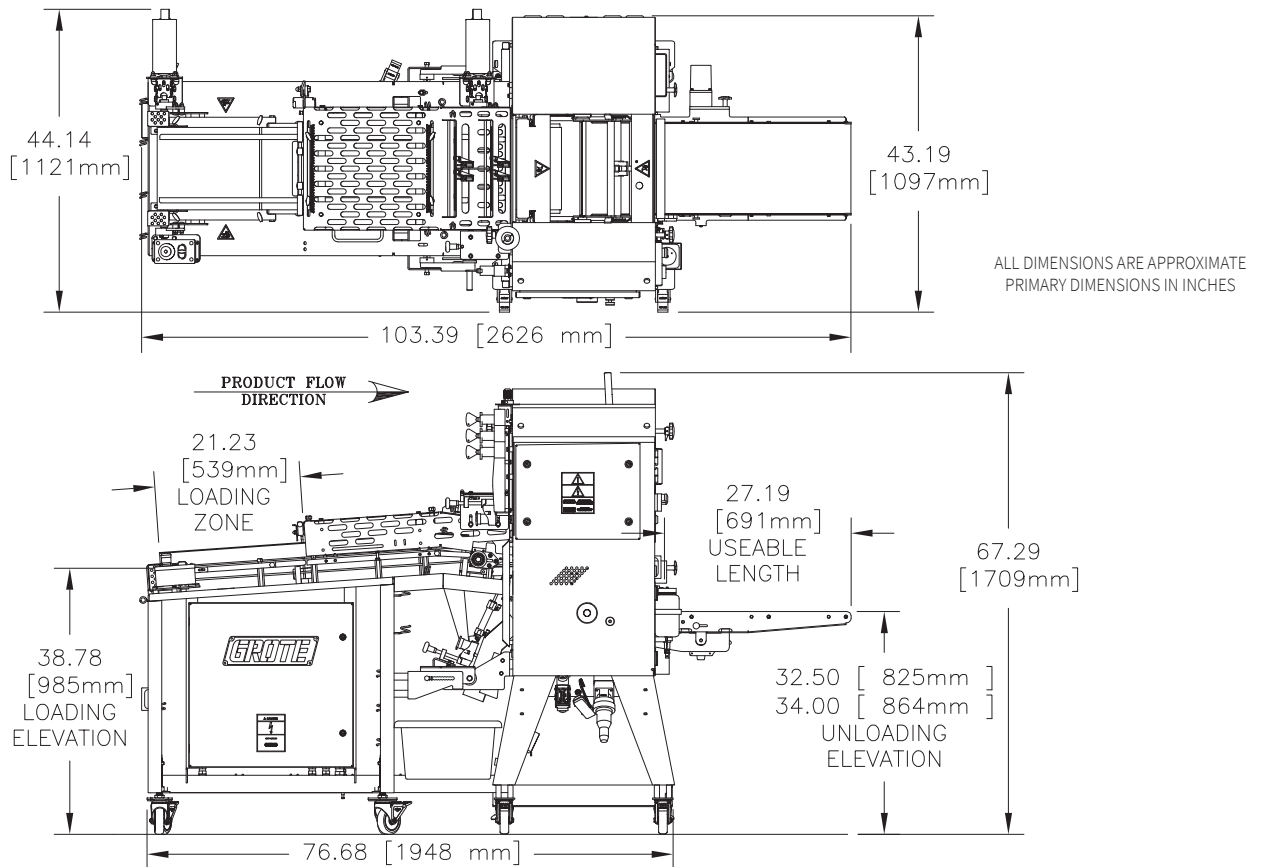
Lunch Meats



Plant-based



LOG END SLICER



This drawing contains confidential information is the exclusive property of the J.E. Grote Co. Neither this document, nor its contents, are to be used, reproduced or disclosed in whole or in part without the express written permission of the J.E. Grote Co. Copyright 2017, J.E. Grote Company, Inc.

SPECIFICATIONS

Product Size:
 Single Lane: 6x12" (152x304 mm)
 Two Lane: 6x6" (152x152 mm)
 per lane

Stack Height: Up to 3" (75 mm)

Slice Thickness: .02-.50"
 (.5 mm-12.7 mm)

Electrical: 208-240 VAC, 50/60 Hz,
 1 Phase

FEATURES/PARTS

- AccuBand blades and blade guides
- Auto-load conveyor – 12" wide dual stage, plastic modular belt
- Carryout conveyor (extended length available)

OPTIONS

- One or two-lane models

E 6.21v6

CONTACT US

Grote Company is proud to provide top quality equipment, exceptional service and peace of mind worldwide. Contact us for more information or to schedule a demo of the Log End Slicer with your product in your exact operating conditions in our Demo Facility.



To feed our growing world - Together

sales@grotecompany.com
 grotecompany.com