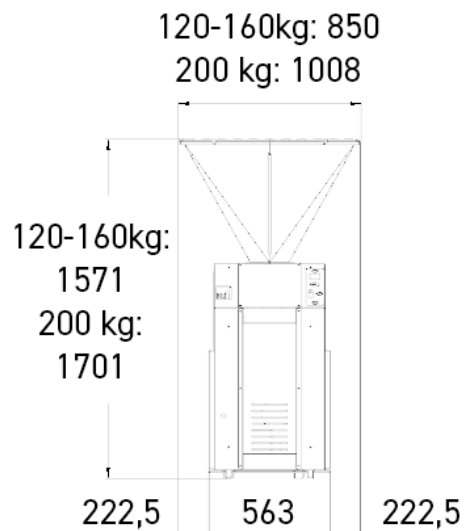
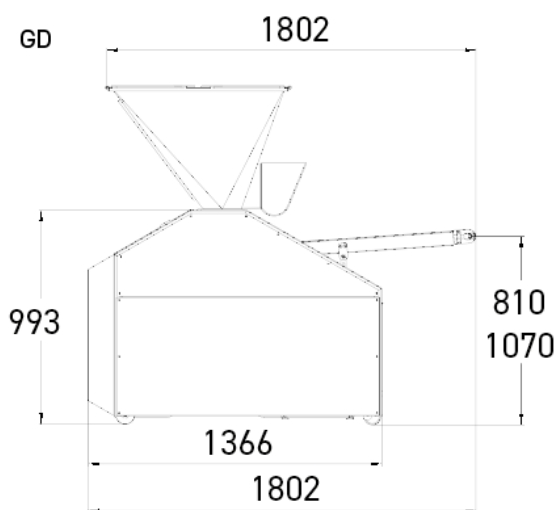




- ✓ Open hopper volumetric divider
- ✓ Stainless steel exterior
- ✓ Regularity
- ✓ Strong pace
- ✓ Built-in flour dispenser
- ✓ Pre-rounding of dough pieces



## SPECIFICATIONS

Adjustable speed in pieces per hour	960 - 2000
Teflon-coated hopper, capacity in kg	120
Programmable counter, countdown counter	•
Stainless steel drum	•
Triple-seal Rilsan piston	•
Stainless steel exterior	•
Outfeed belt width in mm	500
3-litre flour dispenser	•
Outfeed belt scraper	•
Adjustable pre-rounding tile	•
Oil recycling system	•
Motor power in kW	2.2
Power supply	400V three-phase
Net weight in kg	575
Outfeed belt length in mm	1.060

## TECHNICAL SPECIFICATIONS

Piston (Max/min weight of dough pieces in grams)	80mm (30 / 370),100mm (50 / 700),110mm (70 / 850),120mm (90 / 1.000),130mm (130 / 1.300)
Options (Additional cost)	Dough piece lubrication, 160 kg capacity stainless-steel hopper, 200 kg capacity stainless-steel hopper, Automatic weight adjustment + dough piece counter, Dough piece rolling belt, Remote control, Dough piece rolling belt (Standard on 80-mm and 100-mm pistons.), Power supply 230V single phase, Power supply 230V three phase, Teflon-coated hopper, Dough piece counter

## MAIN STRENGTHS



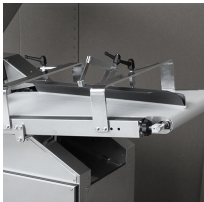
### Outfeed belt scraper

The belt is kept clean throughout use.



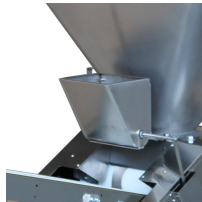
### Oil recycling system

Reduces oil consumption. Fitted with a filter and a low level alert.



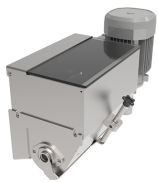
### **Adjustable pre-rounding tile**

For pre-rounding dough pieces with different weights.



### **Built-in flour dispenser (option)**

Prevents the dough pieces from sticking to the belt.



### **Flour dispenser**

JAC has developed a brand new, more efficient integrated flour dispenser with a more regulated flow. It now equips the GD and GDS series.