

**HOBART**701 S Ridge Avenue, Troy, OH 45374  
1-888-4HOBART • www.hobartcorp.com**D300  
MIXER****HOBART****STANDARD FEATURES**

- ¾ H.P. Hobart Designed Fixed Speed Motor
- Gear-Driven Transmission
- 15 Minute Timer
- Three Fixed Speeds
- Open Base
- Large, Easy-To-Reach Controls
- #12 Taper Attachment Hub
- Stainless Steel Bowl Guard
- Manual Bowl Lift
- 30-Quart Stainless Steel Bowl, "B" Flat Beater, "D" Wire Whip

**ACCESSORIES**

- Stainless Steel Bowl
- "B" Flat Beater
- "C" Wing Whip
- "D" Wire Whip
- "E" Dough Hook
- "ED" Dough Hook
- "P" Pastry Knife
- "I" Heavy Duty Wire Whip
- Bowl Splash Cover
- Bowl Scraper
- Bowl Truck
- 20 Quart Accessories
- Ingredient Chute
- 9" Vegetable Slicer
- Meat Chopper Attachment

**MODELS**

- D300 – 30-Quart All Purpose Mixer
- D300C – 30-Quart All Purpose Mixer with Maximum Security Correctional Package (115/60/1, 200/60/1 and 200/60/3 only)

Specifications, Details and Dimensions on Inside and Back.

**D300 MIXER**

# D300 MIXER



701 S Ridge Avenue, Troy, OH 45374  
1-888-4HOBART • www.hobartcorp.com

## SOLUTIONS/BENEFITS

### ¾ H.P. Hobart Designed Motor

Durability

- Heavy-duty to meet the most demanding operations

### 15-Minute Electric Timer

Convenience, Ease of Use, Consistency

- Supports recipe mixing times
- Simplifies operation
- Provides accurate results and eliminates overmixing

### Three Fixed Speeds

Flexibility, Reliability, Consistency

- For incorporating, blending, mixing ingredients
- Supports consistent results and thorough mixing

### Bowl Guard

Protection

- Safety interlock prevents operation when front portion of guard is out of position

### Gear-Driven Transmission

Durability, Reliability

- Ensures consistent performance and minimum downtime with positive drive under heavy loads

### Hobart Attachments

Durability, Flexibility

- Hobart manufactured accessories are designed for long-term usage under heavy-duty conditions
- Large array of attachments provide multiple uses for recipe and product processing
- Secondary stepdown sizing available for greater operational flexibility

## D300 MIXER CAPACITY CHART

Recommended Maximum Capacities - dough capacities based on 70°F. water and 12% flour moisture.

PRODUCT	AGITATORS SUITABLE FOR OPERATION	D300
CAPACITY OF BOWL (QTS. LIQUID)		30
Egg Whites	D	1½ qts.
Mashed Potatoes	B & C	23 lbs.
Mayonnaise (Qts. of Oil)	B or C or D	12 qts.
Meringue (Qts. of Water)	D	1 qt.
Waffle or Hot Cake Batter	B	12 qts.
Whipped Cream	D or C	6 qts.
Cake, Angel Food (8-10 oz. cake)	C or I	22
Cake, Box or Slab	B or C	30 lbs.
Cake, Cup	B or C	30 lbs.
Cake, Layer	B or C	30 lbs.
Cake, Pound	B	30 lbs.
Cake, Short (Sponge)	C or I	23 lbs.
Cake, Sponge	C or I	18 lbs.
Cookies, Sugar	B	23 lbs.
Dough, Bread or Roll (Lt.-Med.) 60% AR	§ ED	45 lbs. □
Dough, Heavy Bread 55% AR	§ ED	30 lbs. □
Dough Pie	B & P	27 lbs.
Dough, Thin Pizza 40% AR (max. mix time 5 min.)	§‡ ED	14 lbs. □
Dough, Med. Pizza 50% AR	§‡ ED	20 lbs. □
Dough, Thick Pizza 60% AR	§‡ ED	40 lbs. □
Dough, Raised Donut 65% AR	ED	15 lbs.*
Dough, Whole Wheat 70% AR	ED	40 lbs. □
Eggs & Sugar for Sponge Cake	B & C or I	12 lbs.
Icing, Fondant	B	18 lbs.
Icing, Marshmallow	C or I	3 lbs.
Shortening & Sugar, Creamed	B	24 lbs.
Pasta, Basic Egg Noodle (max. mix time 5 min.)	ED	8 lbs.

NOTE: % AR (% Absorption Ratio) - Water weight divided by flour weight. Capacity depends on moisture content of dough. Above capacities based on 12% flour moisture at 70°F water temperature.

□ 1st Speed

\* 2nd Speed

§ If high gluten flour is used, reduce above dough batch size by 10%.

‡ 2nd Speed should never be used on 50% AR or lower products.

**USE OF ICE REQUIRES A 10% REDUCTION IN BATCH SIZE.**

**1 gallon of water weighs 8.33 lbs.**

NOTE: Attachment hub should not be used while mixing.



701 S Ridge Avenue, Troy, OH 45374  
1-888-4HOBART • www.hobartcorp.com

# D300 MIXER

## SPECIFICATIONS

### MOTOR:

¾ H.P., Hobart designed, permanently lubricated ball bearings, totally enclosed, internally ventilated. Single-phase is capacitor-start, induction-run type. Three-phase is squirrel cage, induction-run type.

Single Phase	115V	11.6 Amps
	200V	6.3 Amps
	230V	5.8 Amps

Three Phase	200V	2.5 Amps
	460V	1.0 Amps

### ELECTRICAL:

115/60/1, 200/60/1, 230/60/1, 200/60/3, and 460/60/3 – U L Listed. Also available in 220/50/1, 200/50/3 and 220/50/3 – not submitted for U L Listing.

### CONTROLS:

Start-Stop push buttons protected by rubber caps. Magnetic-type contactor, actuated by push button station, and thermal overload, no-voltage protection, are standard on three-phase and on single phase. A 15-minute electric timer is standard.

### TRANSMISSION:

Gear-driven. Gears are constant mesh heat-treated alloy steel. Anti-friction ball or roller bearings. A hardened steel worm and alloy bronze worm gear transmit power from motor to transmission. Grease lubricated.

### SPEEDS:

Three positive speeds - Low, Intermediate, and High.

	Agitator (RPM)	Attachment (RPM)
Low	94	54
Intermediate	174	100
High	317	183

### BOWL GUARD:

Heavy-duty stainless steel wire front and solid stainless steel rear portion. Front portion of guard rotates easily to add ingredients and install or remove agitator. It detaches in seconds for cleaning in dishwasher or sink. Rear portion of guard can be quickly cleaned in position. Guard must be in closed position before mixer will operate. The bowl support lock prevents the bowl from being lowered while mixer is running. Bowl support interlock provides further protection.

### BOWL LIFT:

Hand lever, spring counterbalanced, lift locks automatically at top or bottom of travel. Bowl lift is adjustable, to assure proper clearance between bowl and beater.

### FINISH:

Metallic Gray Hybrid Powder Coat finish.

### STANDARD EQUIPMENT:

Consists of the mixer unit with one (1) 30-quart stainless steel bowl, one (1) "B" flat beater, one (1) "D" wire whip, and stainless steel bowl guard.

### ATTACHMENT HUB:

Comes with front-mounted Hobart standard #12 taper attachment hub for use with #12 size attachments.

NOTE: Use of attachment hub during mixing operation may result in a negative impact on performance and longevity of mixer.

### ATTACHMENTS AND ACCESSORIES:

The following are available at extra cost:

- "B" Flat Beater
- "C" Wing Whip
- "D" Wire Whip
- "E" Dough Hook
- "ED" Dough Hook
- "P" Pastry Knife
- "I" Heavy Duty Wire Whip
- Bowl Splash Cover
- Bowl Scraper
- Bowl Truck
- 20 Quart Accessories
- Ingredient Chute
- 9" Vegetable Slicer
- Meat Chopper Attachment



Hobart Bowl Scraper



Hobart Ingredient Chute

**LISTED BY:** Underwriters Laboratories, Inc. and NSF International. Certified by the Baking Industry Sanitation Standard Committee.

# D300 MIXER



701 S Ridge Avenue, Troy, OH 45374  
1-888-4HOBART • www.hobartcorp.com

## SPECIFICATIONS

**ELECTRICAL SPECIFICATIONS:** 115/60/1, 200/60/1, 230/60/1, 200/60/3 and 460/60/3 – U L Listed. Also available in 220/50/1, 200/50/3 and 220/50/3 – not submitted for UL Listing.

**WEIGHT:** 189 lbs. net; 336 lbs. domestic shipping.

**WARRANTY:** Unit has full one-year warranty on parts, labor and mileage against manufacturer's defects. Service contracts are available.

## DETAILS AND DIMENSIONS

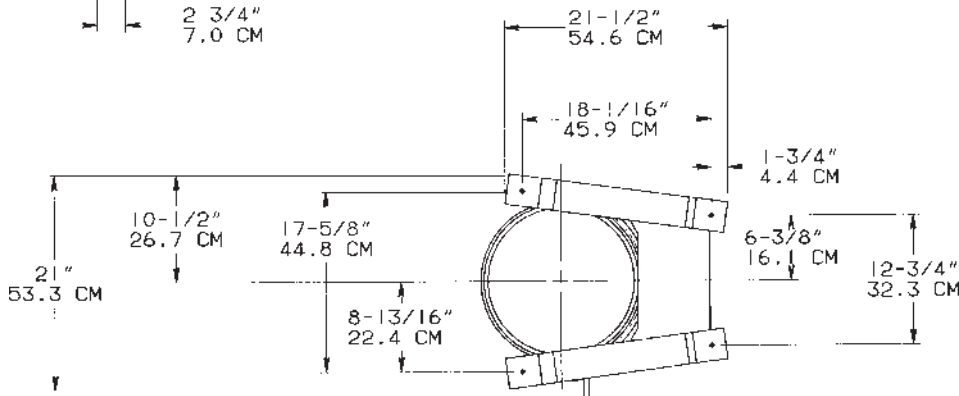
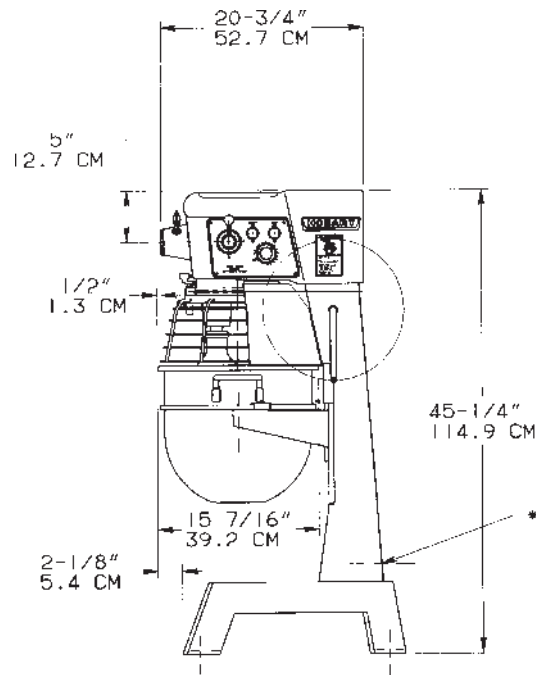
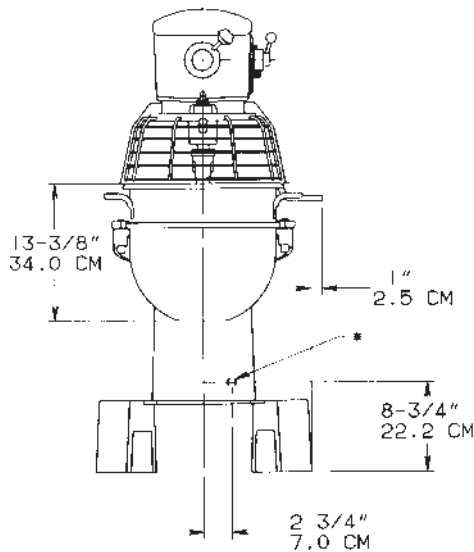
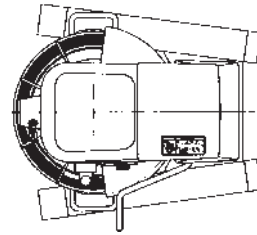
STANDARD MODEL  
NET WEIGHT 189 LBS  
DOMESTIC SHIPPING WT. 336 LBS.

DELUXE MODEL  
NET WEIGHT 189 LBS  
DOMESTIC SHIPPING WT. 336 LBS.

\*DENOTES 3/4-14 NPS TAP  
HOLE FOR ELECTRICAL  
CONNECTION.

### WARNING

ELECTRICAL AND GROUNDING CONNECTIONS  
MUST COMPLY WITH THE APPLICABLE  
PORTIONS OF THE NATIONAL ELECTRICAL  
CODE AND/OR OTHER LOCAL ELECTRICAL CODES.



As continued product improvement is a policy of Hobart, specifications are subject to change without notice.