



EoL

END OF LINE

SENTRY LP & SENTRY HP SEMI-AUTOMATIC STRETCH WRAPPERS



Sentry LP
Low Profile Semi-Automatic Stretch Wrapper



Sentry HP
High Profile Semi-Automatic Stretch Wrapper

The Sentry LP & HP, the next step up in wrapping

Ready to step up from manual wrapping? The feature-rich Sentry LP & Sentry HP are on a level of their own when it comes to entry-level semi-automatic stretch wrappers.

Sentry stretch wrappers utilize Orion's signature rugged steel construction and durable AC motors, and integrate standard features like a load stabilizing 200% powered pre-stretch film carriage — reducing film consumption to about half of manually wrapped loads and helping provide a rapid ROI.

Plus, the Sentry LP and HP are equipped with user-friendly features like the IntelVue touchscreen display to quickly change wrap counts, adjust turntable speed, carriage speed and film tension. Also, standard are the load height sensing photo eye and Orion's unique RevoLogic™ technology, which delivers a precise count of each revolution of the turntable, and stops the turntable in the same position after each cycle.

FEATURES AND BENEFITS

- User-friendly IntelVue display panel and controls package, includes pre-programmed recipes and a standard multi-language controller interface
- 200% powered pre-stretch film carriage with adjustable film tension and safety E-stop obstacle detection
- Adjustable speed turntable
- RevoLogic™ technology precisely applies the exact top and bottom wrap counts and ensures home position alignment stops turntable in same position after each cycle
- Rugged steel construction, forklift portable
- Automatic load height sensing photo eye
- Adjustable/separate top & bottom wrap counter
- Heavy-duty industrial chain drives the carriage and the turntable



SENTRY LP & SENTRY HP SEMI AUTOMATIC STRETCH WRAPPERS

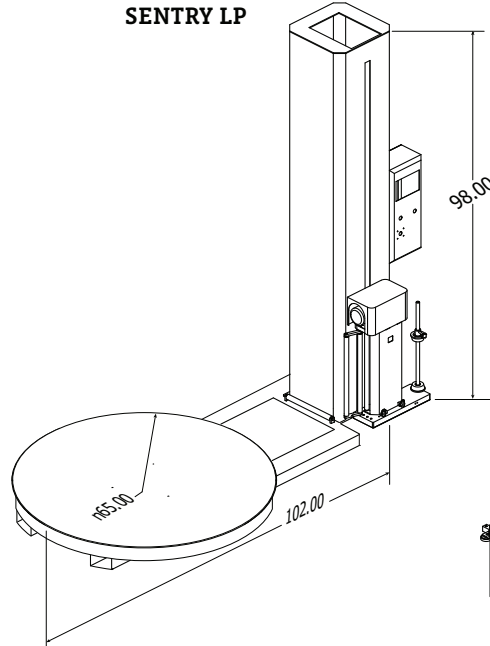
TYPICAL PRODUCT SPECIFICATIONS

Rotation Speed	Variable up to 12 RPM with soft-start
Max. Height	80"
Max. Load Size	Sentry LP - 55" x 55" x 80" H Sentry HP - 55" x 55" x 80" H
Max. Load Weight	4,000 lbs.
Film Pre-stretch	200%

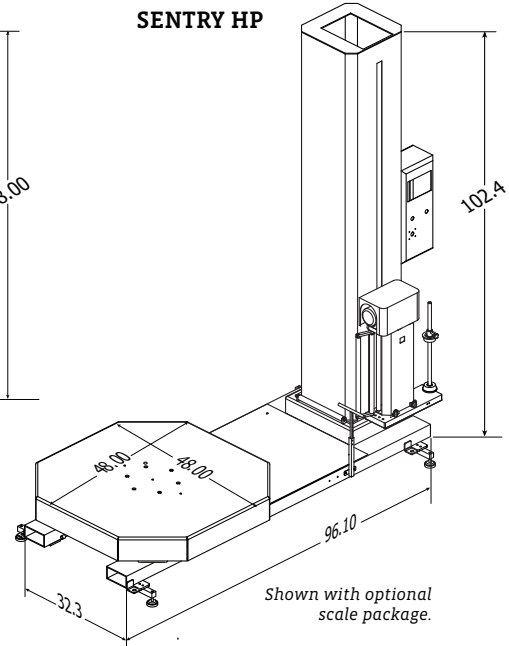
Film Tension Control	Adjustable
Display Panel	7" IntelVue color touch panel
Electrical	120 VAC, 60 cycle, 1-phase, 20 amps (Not suitable for GFC)
Machine Weight (Approximate)	Sentry LP - 1,218 lbs.; w. scale 1,239 lbs. Sentry HP - 1,229 lbs.; w. scale 1,250 lbs.
Warranty	3 years

DIMENSIONS - Inches

SENTRY LP



SENTRY HP



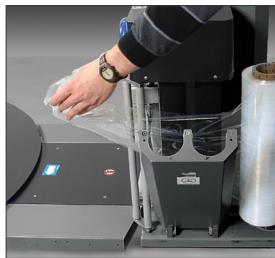
OPTIONS

- 110" Extended Mast
- Easy-to-use integrated scale package with quick connect and battery backup
- 20" Insta-Thread Film Carriage with 260% pre-stretch
- Sentry LP - Pallet Jack Ramp
- Sentry LP - Electrical Walkie Ramp

PRODUCT OPERATION



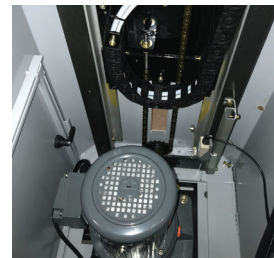
High resolution touchscreen display to easily change film tension, wrap counts, turntable and carriage speed. Powerful microprocessor stores recipes, user-manual and more.



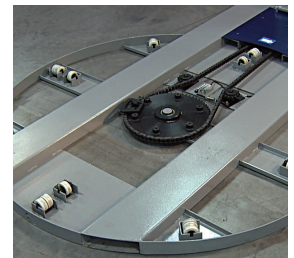
Loading film is fast and easy: open the hinged door, pull film tail through, and close the door. Power disconnects when the door is opened.



Film carriage pre-stretches film 200% prior to wrapping, reducing material costs and strengthening the film for a tighter and more secure wrap.



In the tower, ANSI chain and cable track provide smooth carriage movement. The Sentry uses no-maintenance AC motors with VFD.



Structural steel plate and tube provide a robust and durable base. Soft-start rotation prevents unstable loads from toppling when cycle begins.

©2020 ProMach Inc. ProMach reserves the right to change or discontinue specifications and designs shown in this brochure without notice or recourse
Spec Sheet - Sentry LP & HP 6-01-20