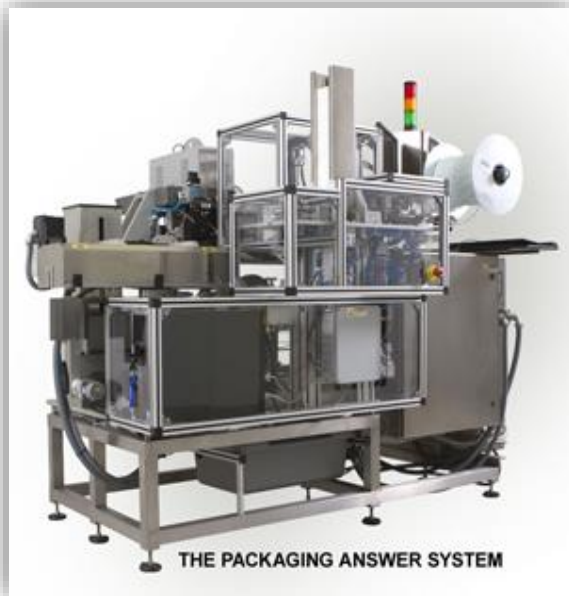


## *The Packaging Answer from Urania Engineering*



**Urania Engineering** has been supplying Medical Device and Diagnostic Kit manufacturers with pre-formed pouch sealing and packaging systems for over 25 years. We invite you to take advantage of our extensive technical experience in this specific field. Whatever the scope of your unique packaging requirements, Urania equipment will assure predictable and cost effective results.

Our latest development, **The Packaging Answer**, has been engineered as a truly modular packaging system. Through flexibility of design, changeovers between specific pouch and product combinations are accomplished in as little as five minutes. Setup parameters are stored electronically and selected with the touch of a button. "The Answer" can process any type of pre-formed pouch and excels in handling zipper closure varieties. Peripheral equipment can be integrated with the system for required secondary operations.

### **Typical Applications Include:**

- Automatic Product Loading
- Labeling (Apply Only or Print & Apply)
- Ink Jet and Direct Printing
- Desiccant Feeding, Cutting, & Loading
- Vision Inspection & Product Verification
- Nitrogen Injection / Gas Flush



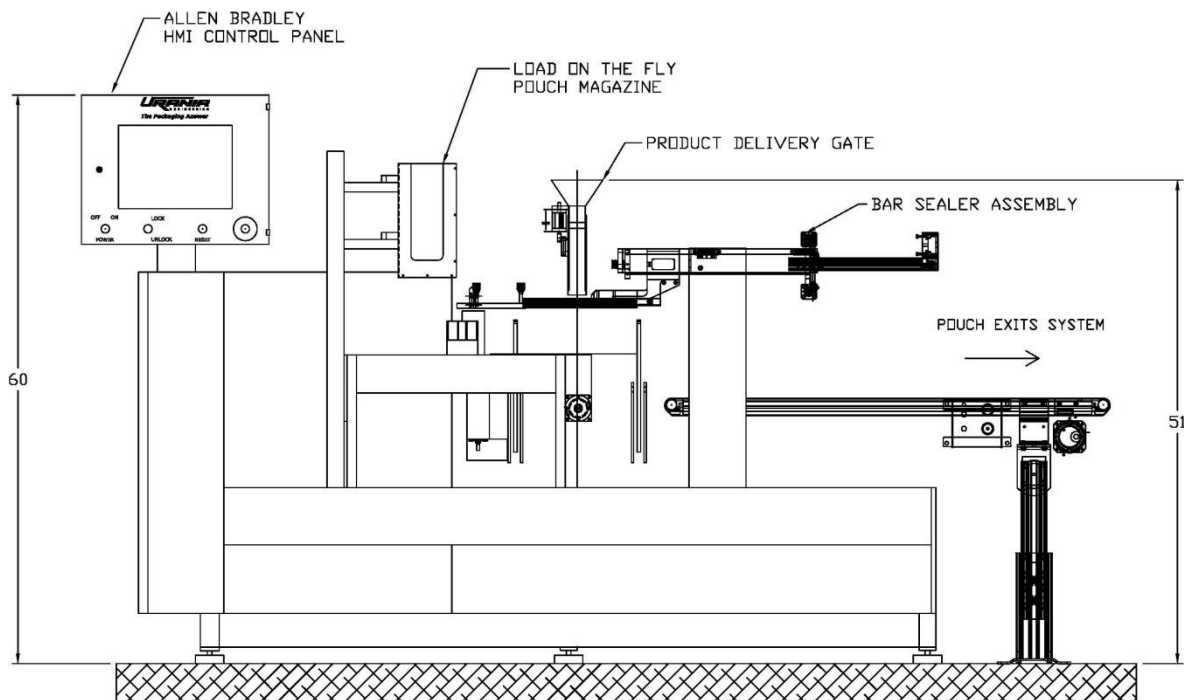
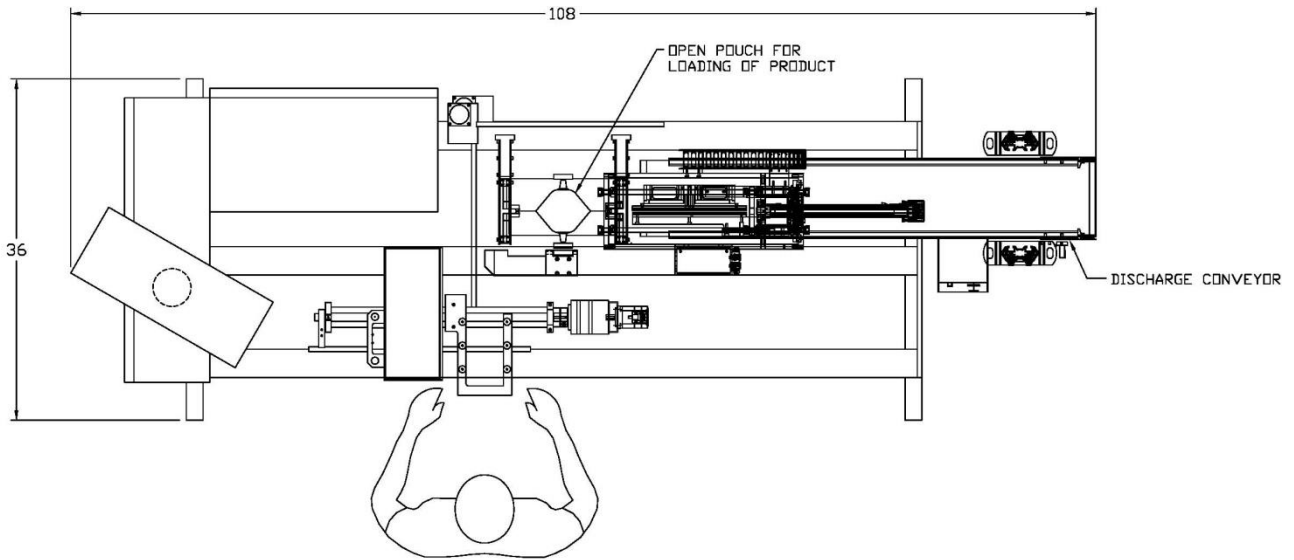
Urania's Packaging Answer, 5000P Heat Sealer, and PouchPro® systems efficiently accommodate all facets of pouch handling and heat sealing. In addition to covering a broad range of products in the medical device sector, Urania has unmatched experience in the final packaging of dry ingredients and a variety of liquid applications.



### **Pouch Types Supported:**

- Stand-Up Plain & Zipper
- Pillow
- Three-Side Seal
- Vacuum Packaging
- Gusseted & Header
- Central & Back Seal





## SYSTEM REQUIREMENTS & SPECIFICATIONS

<b>Power Source:</b>	220 VAC, 50/60 Hz, 20 AMP, Single Phase
<b>Compressed Air:</b>	6 CFM @ 85 psi
<b>Size (excluding scale):</b>	Approx 3' wide x 5' high x 9' long
<b>Product Delivery Height:</b>	51 inches
<b>Speed:</b>	Up to 25 cycles per minute (dependent on pouch size and product characteristics)
<b>Approximate Weight:</b>	1200 lbs
<b>Construction Materials</b>	304 stainless steel, anodized 6061 aluminum and Lexan

All electrical components (AC) shall comply with UL61010A-1 (UL3101-1 first edition) or UL-sticker on the unit.