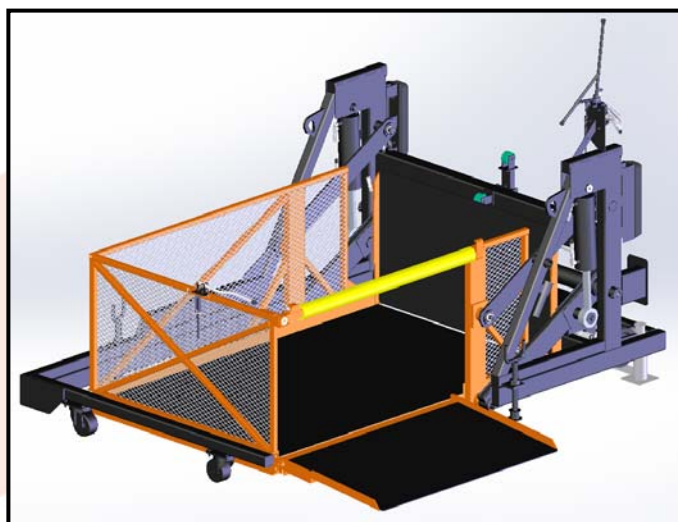
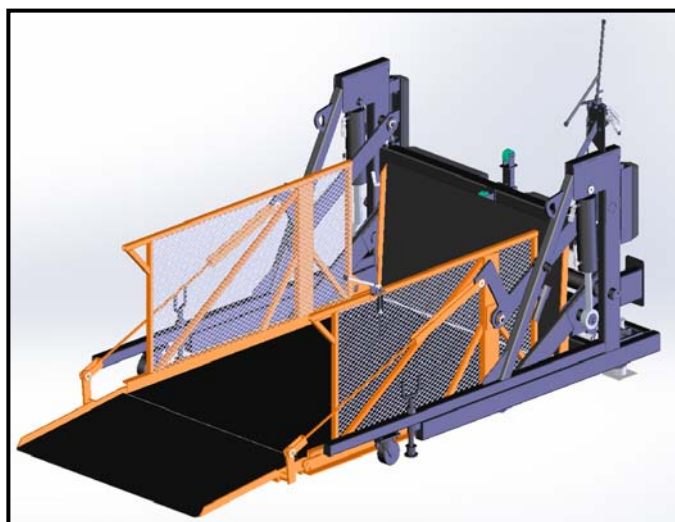


MODEL SL-5000 SURFACE-MOUNTED SPEED-LIFT

5 Year Parts & Labor Warranty w/ Evidence of Bi-Annual PM Checks

The SL-5000 from our Silver Line is suitable for loading/unloading trucks with hand carts, dollies, carts, and pallet jacks.

All lifts are custom-built according to each location's specific needs and layout. They're highly customizable and can be modified to go from truck to ground, truck to dock, dock to ground, truck to raised platform, etc.



Capacity: 5,000 pounds across the entire platform

Axle Capacity Ends: 5,000 pounds

Axle Capacity Sides: 5,000 pounds

Available Platform Sizes: A = 60" W x 84" L; B = 60" W x 96" L; C = 60" W x 120" L

Lowered Height: 3 5/8"

Motor Size: 5 HP

Cylinder Size: 4"

Travel Speed: 41.46 FPM or 7 seconds from truck to ground

Maximum Travel Height: 58"

Shipping Weight: 3,600 to 4,100 pounds

Speed-Lift Key Features & Benefits:

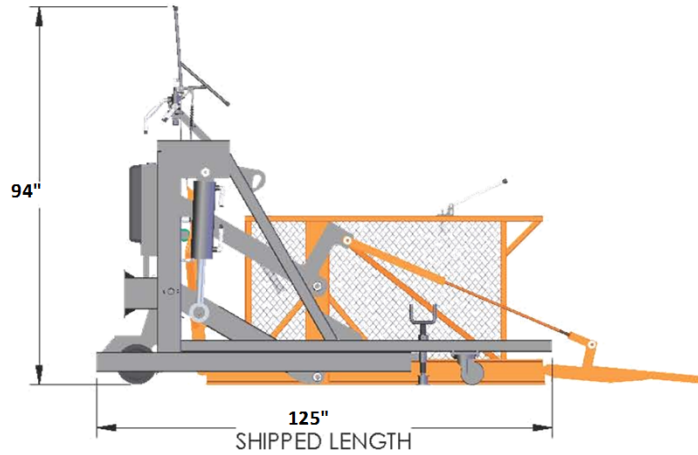
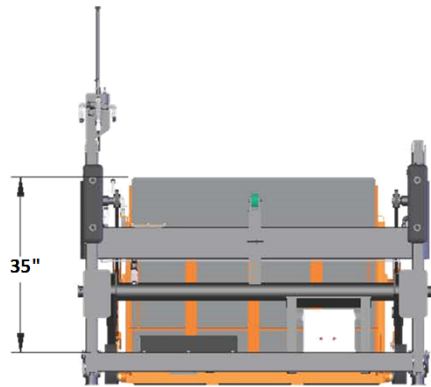
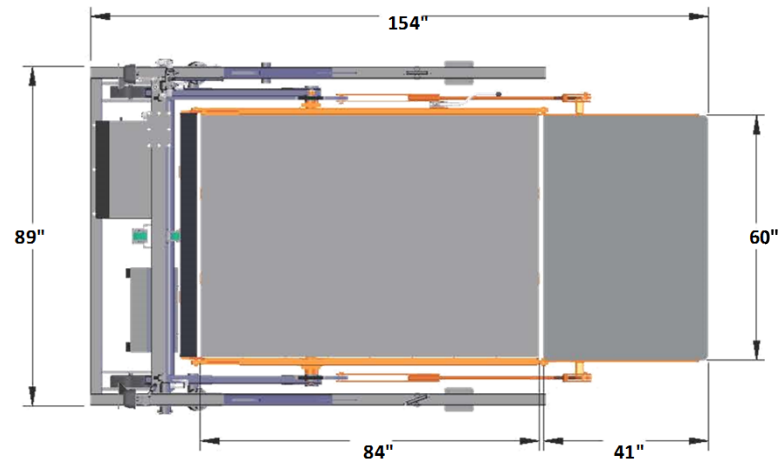
- All production is done in the **USA with proven COTS components**
- All electrical control boxes are **UL approved**
- All Speed-Lifts conform to **ANSI MH29.1** specifications
- All models have either patented **Automatic Folding Ramps or Safety Bars** instead of safety chains. These eliminate the need for employees to maneuver around loads to manually lift and lower heavy ramps, thus **greatly reducing the risk of finger injuries**
- All units are made with high-grade steel. The platform, ramp, and bridge are **non-skid diamond plate**
- Speed-Lifts **do not require pits**, drains, bollards, building permits, or other costly on-site infrastructure
- All Speed-Lifts have a steel construction including a 3-sided lift frame which, together with the hinged ramps, provides **360 degree toe and foot protection**
- The hydraulically actuated cantilever lift mechanism ensures smooth and consistent operation with **variable speed control** for controlled ascent and descent
- Our lifts are designed to withstand severe weather conditions and operate for **more than 30 years** with routine maintenance which consists of regular lubrication of all bearings plus visual inspection of wiring and hydraulic lines for wear and tear
- The closed hydraulic control system requires a routine check of the oil level and normally **does not require any oil changes**
- The mechanical, hydraulic, and electrical systems are self-contained within the frame so **no separate control unit is required**
- All **parts can be purchased directly** from our facility in Ormond Beach, FL
- Regular **preventative maintenance contracts** are available in which your lift will be serviced twice per year

Available Options:

- Weather Shield/Canopy system
- Extended Truck Bridges
- Lateral Track Mobility
- Lower Opening Bridge
- Narrow Truck Bridge
- Narrow Frame
- Platform Stops for off-loading on top of raised platforms
- Hydraulic or Manual Ramp Winch for moving products from ground level up to a dock
- Side Frame Enclosure
- Tow Bar
- Side-Off Ramps (available on 'B' lengths and longer)
- Upper Level Personnel Restraint Bar
- Smooth Deck
- Flotation Plates for use on asphalt
- Extra Wide Platforms
- Single Phase Power
- 460/480V 3 Phase Power



Standard

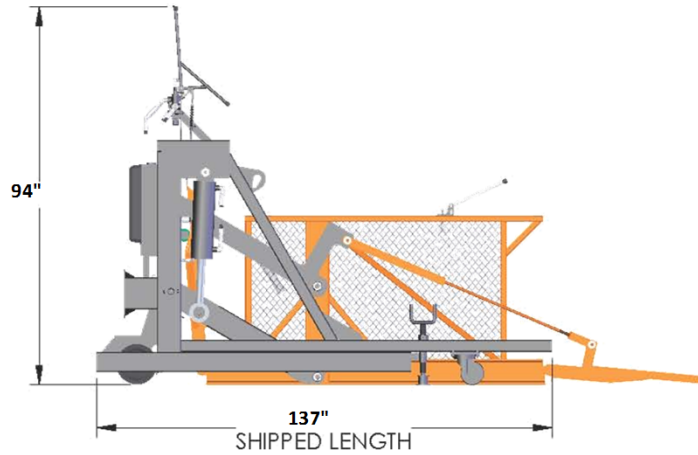
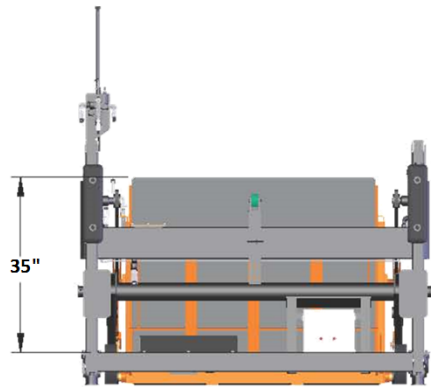
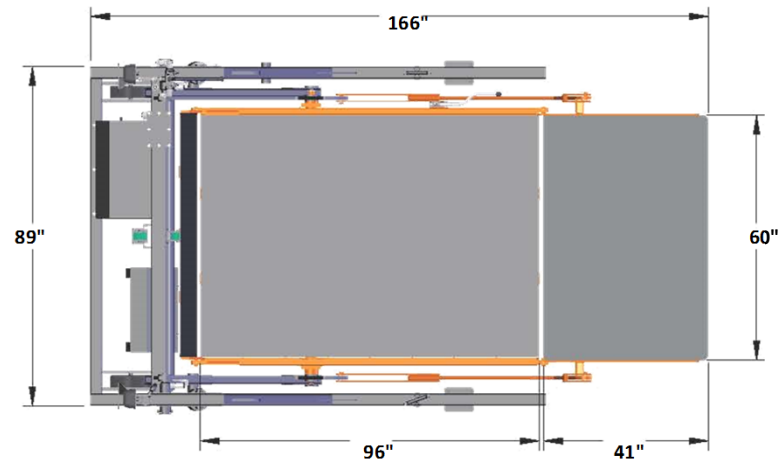


Model No.	Capacity (Pounds)	Motor Rating (HP)	Usable Platform Size W x L (Inches)	Platform Lowered Height Above Pad (Inches)	Minimum Bridge Opening Height Above Pad (Inches)	Maximum Bridge Opening Height Above Pad (Inches)	Overall Length - Ramp Down - (Inches)	Maximum Width (Inches)	Ramp Length (Inches)	Bridge Length (Inches)	Shipped Length (Inches)	Shipping Weight (Pounds)
SL-5000-A	5,000	5	60 x 84	3 5/8	44.5	58.0	154	89.0	41	35	125	3,600

Lift Part Number: SL-5000-A-AFR-SBP-PLP-GA/SS-230V/3Ph

Lift Description: SL-5000-A Speed-Lift - 5000 Pounds Capacity (60" X 84" Platform) with a Standard Bridge - <5" Pad Height/Elevation Difference - configured with a 35" Standard Length Bridge and including 41" Automatic Folding Ramp, Step Bumper Protectors, Ground Anchor System - Core Drill Sleeves - Existing Concrete Pad, 230VAC/3 Phase Power Supply, and Platform Locking Pin

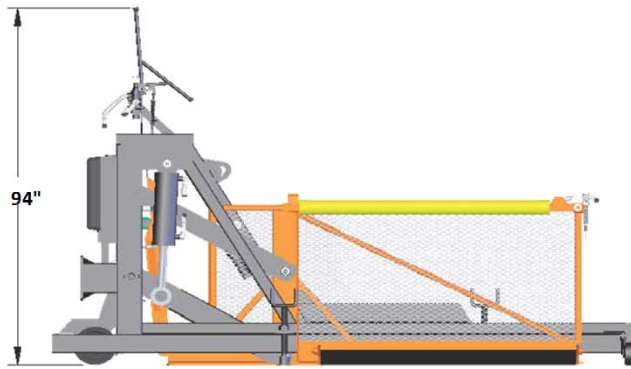
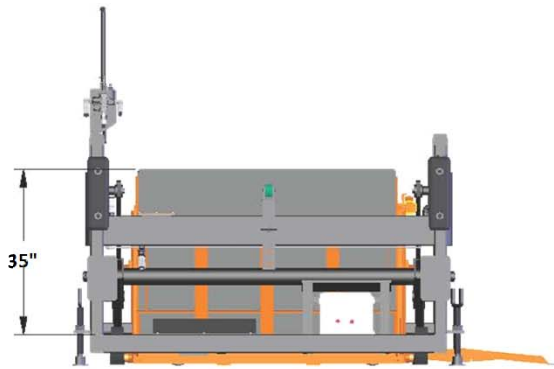
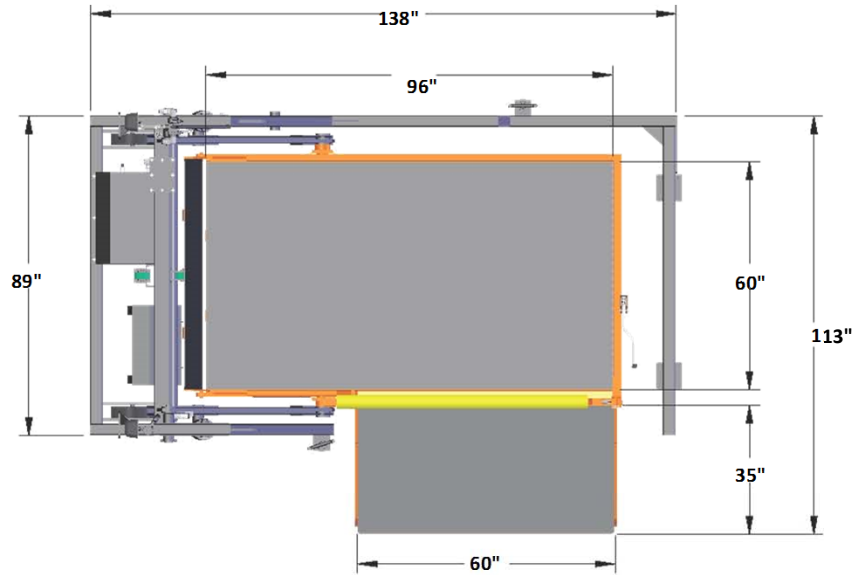
Standard



Model No.	Capacity (Pounds)	Motor Rating (HP)	Usable Platform Size W x L (Inches)	Platform Lowered Height Above Pad (Inches)	Minimum Bridge Opening Height Above Pad (Inches)	Maximum Bridge Opening Height Above Pad (Inches)	Overall Length - Ramp Down - (Inches)	Maximum Width (Inches)	Ramp Length (Inches)	Bridge Length (Inches)	Shipped Length (Inches)	Shipping Weight (Pounds)
SL-5000-B	5,000	5	60 x 96	3 5/8	44.5	58.0	166	89.0	41	35	137	3,775

Lift Part Number: SL-5000-B-AFR-SBP-PLP-GA/SS-230V/3Ph

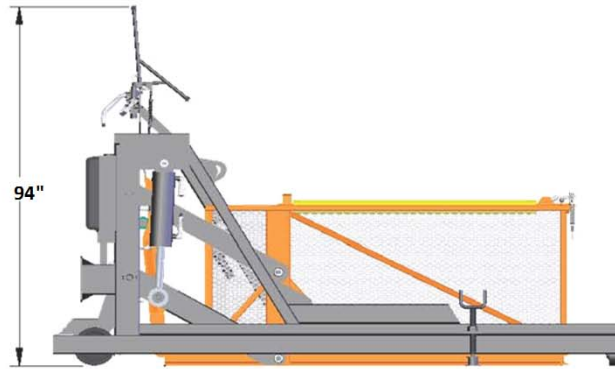
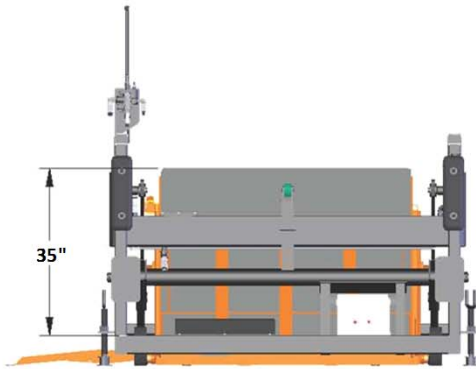
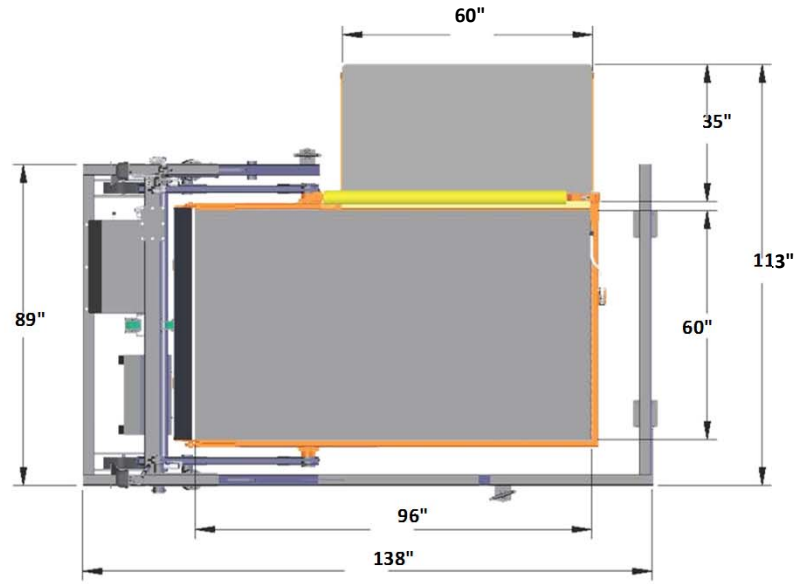
Lift Description: SL-5000-B Speed-Lift - 5000 Pounds Capacity (60" X 96" Platform) with a Standard Bridge - <5" Pad Height/Elevation Difference - configured with a 35" Standard Length Bridge and including 41" Automatic Folding Ramp, Step Bumper Protectors, Ground Anchor System - Core Drill Sleeves - Existing Concrete Pad, 230VAC/3 Phase Power Supply, and Platform Locking Pin



Model No.	Capacity (Pounds)	Motor Rating (HP)	Usable Platform Size W x L (Inches)	Platform Lowered Height Above Pad (Inches)	Minimum Bridge Opening Height Above Pad (Inches)	Maximum Bridge Opening Height Above Pad (Inches)	Overall Width - Ramp Down - (Inches)	Maximum Width (Inches)	Ramp Length (Inches)	Bridge Length (Inches)	Shipped Length (Inches)	Shipping Weight (Pounds)
SL-5000-B	5,000	5	60 x 96	3 5/8	44.5	58.0	113	89	35	35	138	3,775

Lift Part Number: SL-5000-B-SOP-L-PRBCC-SBP-PLP-GA/SS-230V/3Ph

Lift Description: SL-5000-B Speed-Lift - 5000 Pounds Capacity (60" X 96" Platform) with a Standard Bridge - <5" Pad Height/Elevation Difference - configured with a 35" Standard Length Bridge and including 35" Side Off Platform - Left, Personnel Restraint Bar with Cushion Cover, Step Bumper Protectors, Ground Anchor System - Core Drill Sleeves - Existing Concrete Pad, 230VAC/3 Phase Power Supply, and Platform Locking Pin

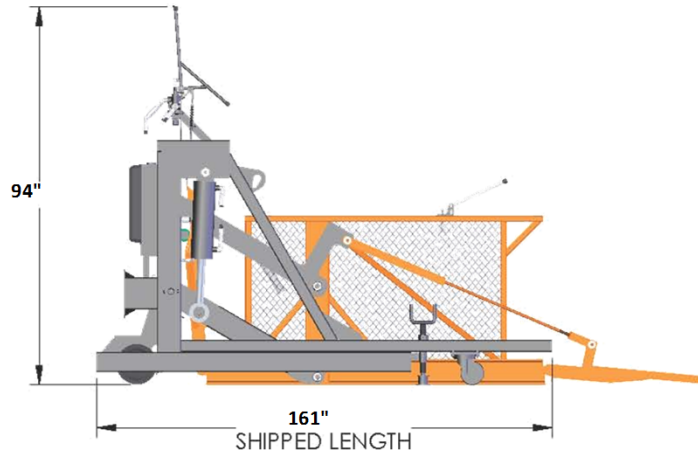
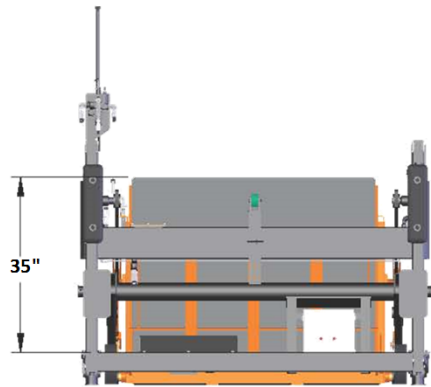
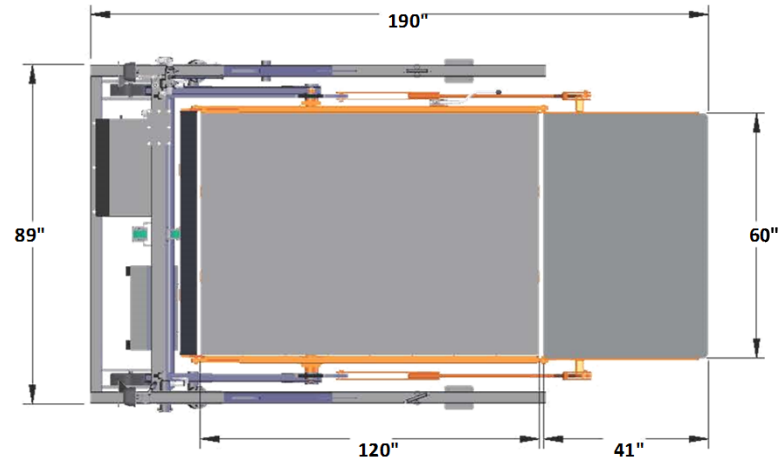


Model No.	Capacity (Pounds)	Motor Rating (HP)	Usable Platform Size W x L (Inches)	Platform Lowered Height Above Pad (Inches)	Minimum Bridge Opening Height Above Pad (Inches)	Maximum Bridge Opening Height Above Pad (Inches)	Overall Width - Ramp Down - (Inches)	Maximum Width (Inches)	Ramp Length (Inches)	Bridge Length (Inches)	Shipped Length (Inches)	Shipping Weight (Pounds)
SL-5000-B	5,000	5	60 x 96	3 5/8	44.5	58.0	113	89	35	35	138	3,775

Lift Part Number: SL-5000-B-SOP-L-PRBCC-SBP-PLP-GA/SS-230V/3Ph

Lift Description: SL-5000-B Speed-Lift - 5000 Pounds Capacity (60" X 96" Platform) with a Standard Bridge - <5" Pad Height/Elevation Difference - configured with a 35" Standard Length Bridge and including 35" Side Off Platform - Left, Personnel Restraint Bar with Cushion Cover, Step Bumper Protectors, Ground Anchor System - Core Drill Sleeves - Existing Concrete Pad, 230VAC/3 Phase Power Supply, and Platform Locking Pin

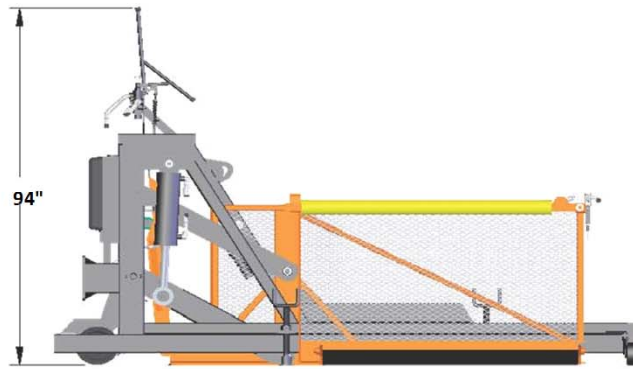
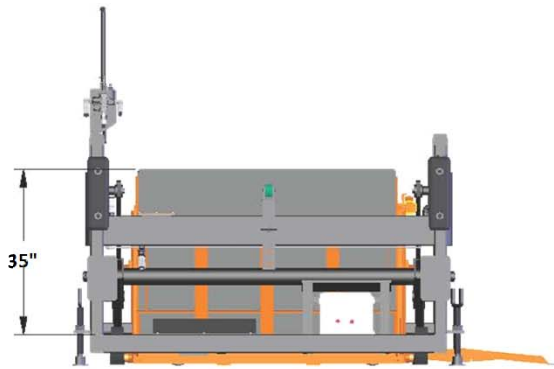
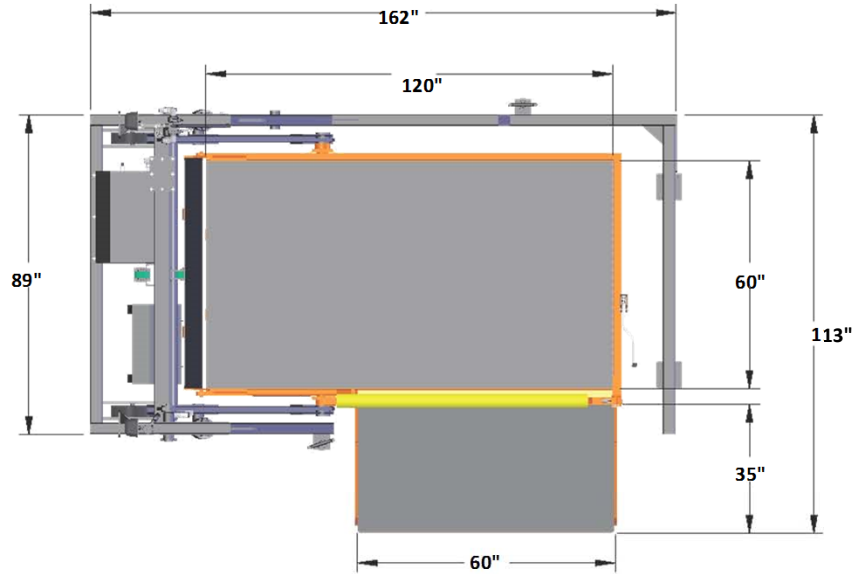
Standard



Model No.	Capacity (Pounds)	Motor Rating (HP)	Usable Platform Size W x L (Inches)	Platform Lowered Height Above Pad (Inches)	Minimum Bridge Opening Height Above Pad (Inches)	Maximum Bridge Opening Height Above Pad (Inches)	Overall Length - Ramp Down - (Inches)	Maximum Width (Inches)	Ramp Length (Inches)	Bridge Length (Inches)	Shipped Length (Inches)	Shipping Weight (Pounds)
SL-5000-C	5,000	5	60 x 120	3 5/8	44.5	58.0	190	89.0	41	35	161	4,100

Lift Part Number: SL-5000-C-AFR-SBP-PLP-GA/SS-230V/3Ph

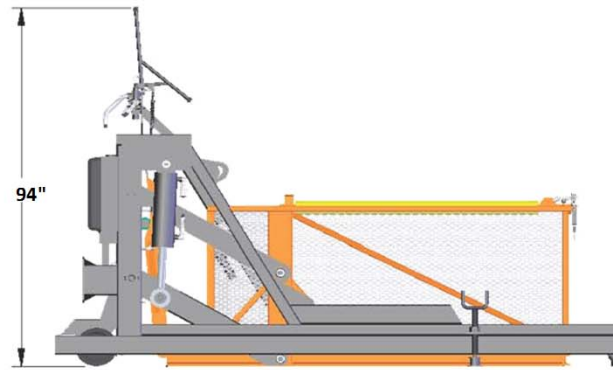
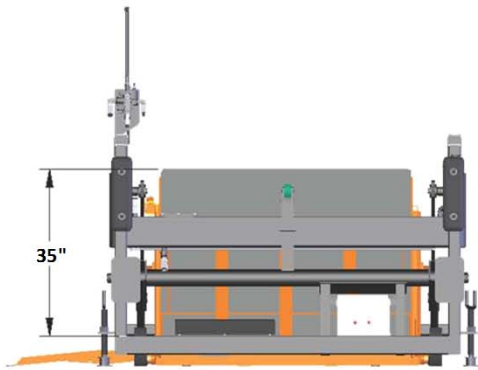
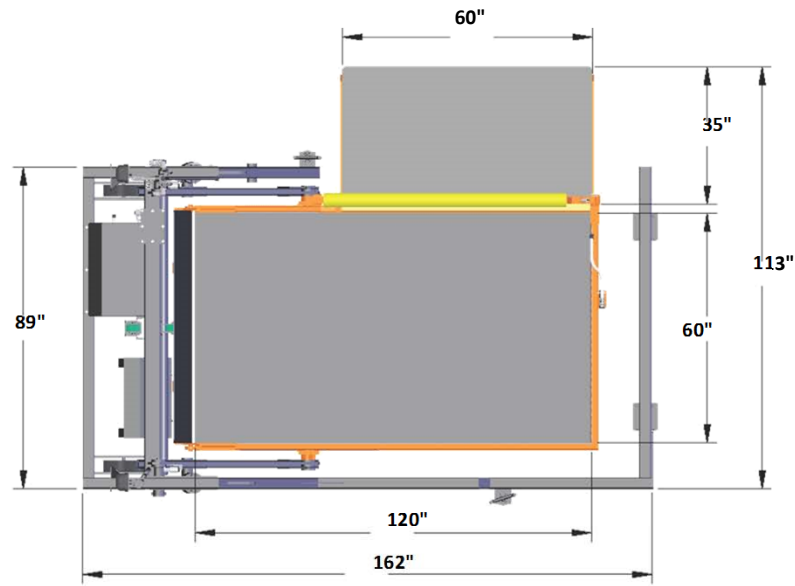
Lift Description: SL-5000-C Speed-Lift - 5000 Pounds Capacity (60" X 120" Platform) with a Standard Bridge - <5" Pad Height/Elevation Difference - configured with a 35" Standard Length Bridge and including 41" Automatic Folding Ramp, Step Bumper Protectors, Ground Anchor System - Core Drill Sleeves - Existing Concrete Pad, 230VAC/3 Phase Power Supply, and Platform Locking Pin



Model No.	Capacity (Pounds)	Motor Rating (HP)	Usable Platform Size W x L (Inches)	Platform Lowered Height Above Pad (Inches)	Minimum Bridge Opening Height Above Pad (Inches)	Maximum Bridge Opening Height Above Pad (Inches)	Overall Width - Ramp Down - (Inches)	Maximum Width (Inches)	Ramp Length (Inches)	Bridge Length (Inches)	Shipped Length (Inches)	Shipping Weight (Pounds)
SL-5000-C	5,000	5	60 x 120	3 5/8	44.5	58.0	113	89	35	35	162	4,100

Lift Part Number: SL-5000-C-SOP-L-PRBCC-SBP-PLP-GA/SS-230V/3Ph

Lift Description: SL-5000-C Speed-Lift - 5000 Pounds Capacity (60" X 120" Platform) with a Standard Bridge - <5" Pad Height/Elevation Difference - configured with a 35" Standard Length Bridge and including 35" Side Off Platform - Left, Personnel Restraint Bar with Cushion Cover, Step Bumper Protectors, Ground Anchor System - Core Drill Sleeves - Existing Concrete Pad, 230VAC/3 Phase Power Supply, and Platform Locking Pin



Model No.	Capacity (Pounds)	Motor Rating (HP)	Usable Platform Size W x L (Inches)	Platform Lowered Height Above Pad (Inches)	Minimum Bridge Opening Height Above Pad (Inches)	Maximum Bridge Opening Height Above Pad (Inches)	Overall Width - Ramp Down - (Inches)	Maximum Width (Inches)	Ramp Length (Inches)	Bridge Length (Inches)	Shipped Length (Inches)	Shipping Weight (Pounds)
SL-5000-C	5,000	5	60 x 120	3 5/8	44.5	58.0	113	89	35	35	162	4,100

Lift Part Number: SL-5000-C-SOP-L-PRBCC-SBP-PLP-GA/SS-230V/3Ph

Lift Description: SL-5000-C Speed-Lift - 5000 Pounds Capacity (60" X 120" Platform) with a Standard Bridge - <5" Pad Height/Elevation Difference - configured with a 35" Standard Length Bridge and including 35" Side Off Platform - Left, Personnel Restraint Bar with Cushion Cover, Step Bumper Protectors, Ground Anchor System - Core Drill Sleeves - Existing Concrete Pad, 230VAC/3 Phase Power Supply, and Platform Locking Pin