



EGG WASH SPRAYER PAN GREASER



- Heavy Duty
All Stainless Steel Construction
- Fully Adjustable Speeds:
Conveyor & Spray Controls
- Full Washdown Controls
- 22" Usable Belt Width
- Custom Widths and Lengths
Available

MODEL: SPG-FA-E



FOOD MAKERS BAKERY EQUIPMENT

FOR MORE INFORMATION CALL US OR VISIT US AT

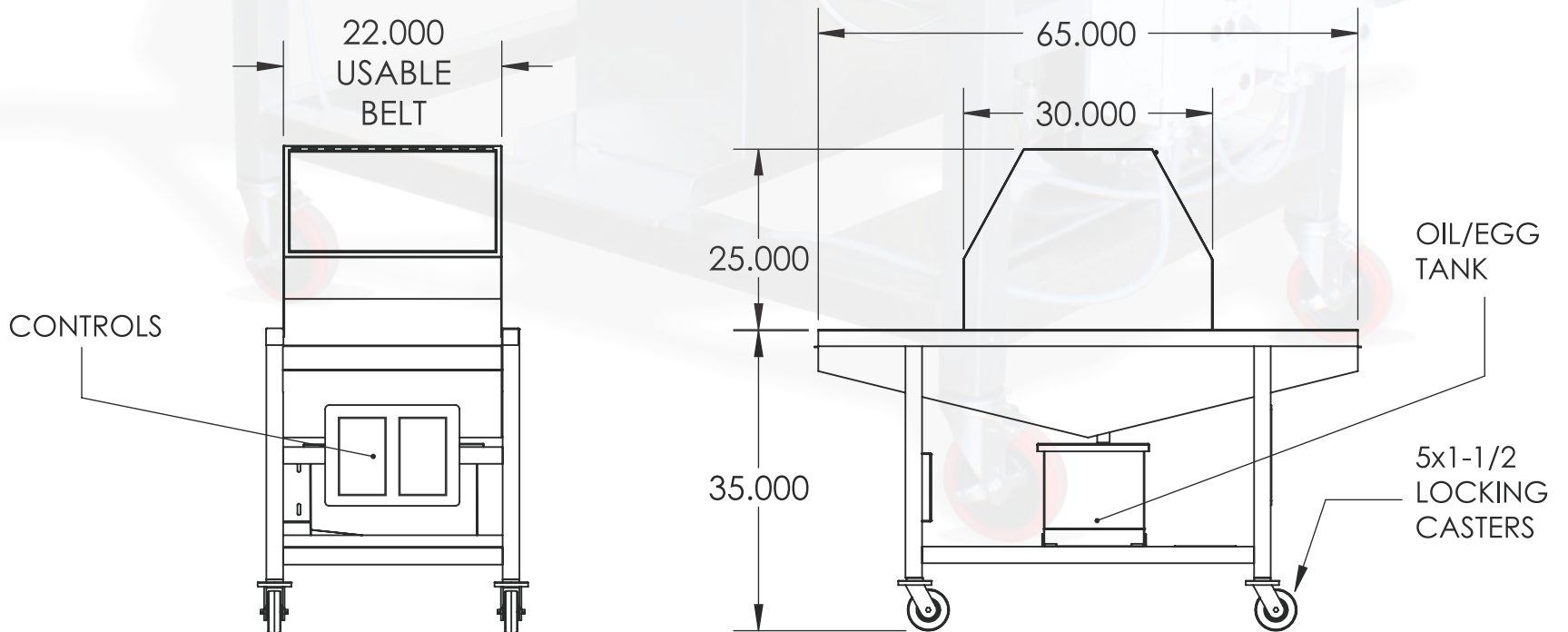
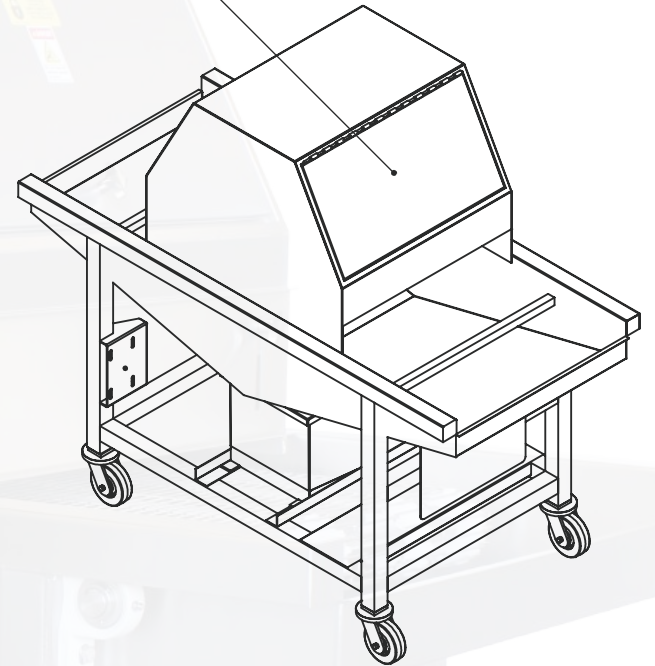
WWW.FMBE.COM **626-358-1343**



EGG WASH SPRAYER PAN GREASER

Model Application	SPG-FA-E
Construction	Stainless Steel
Dimensions	L 65" x W 38" x H 60"
Usable Belt Width	22"
Belt Height	35" From Floor Line
Controls	Full Washdown Waterproof Controls Adjustable Conveyor Speed Adjustable Spraying Pressure
Conveyor Min. Speed	20 Feet Per Minute
Conveyor Max. Speed	75 Feet Per Minute
Sprayer Nozzles	Light (Included) Medium (Included) Heavy (Included)
Pump	SPG-FA-E / Grease & Egg
Tank Capacity	5.75 Gallons
Power Requirements	115v, 1-Phase, 7 Amps

DOOR



FOR MORE INFORMATION CALL US OR VISIT US AT
WWW.FMBE.COM **626-358-1343**