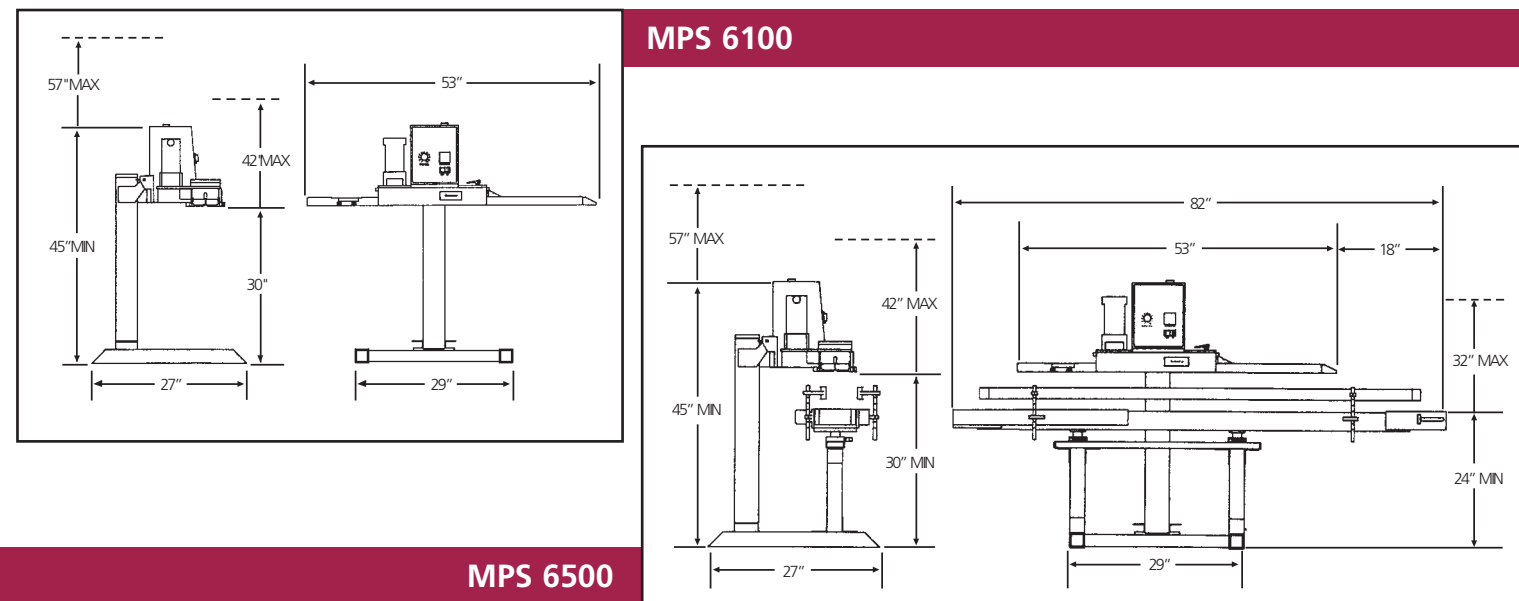


DIMENSIONAL DRAWINGS

AutoCAD drawings of the MPS Series in .DXF format are available upon request.



Technical Specifications of the MPS 6100 & 6500 Series

Operation:	Manual, semi-, or fully-automatic adaptable
Controls:	Dependent on control system
Electrical:	115 VAC, 1 PH, 60 Hz, 600watts, 6 amps
Motor:	Variable speed DC drive
Speed:	Variable up to 500 per minute
Temperature Controller:	PID temperature controller
Temperature Range:	Up to 500F / 260C
Seal Width:	1/4"
Sealing Bands:	Teflon
Materials:	Anodized aluminum, stainless steel, and delrin.
Weight:	MPS 6140: approx. 65 lbs. MPS 6100: approx. 107 lbs. MPS 6500: approx. 165 lbs.
Shipping Crate Sizes:	24" x 24" x 24" approx. 70 lbs (MPS 6140) 58" x 28" x 28" approx. 180 lbs (MPS 6100's) 116" x 28" x 28" approx. 350 lbs (MPS 6500's)

CONTACT INFORMATION



Emplex Machinery Distributed By:

Sealer Sales, Inc.
8820 Baird Avenue; Northridge, CA 91324
T: 818.718.8818 | F: 818.718.8857
E-mail: contact@sealersales.com
www.sealersales.com

EMPLEX

BAG SEALING SOLUTIONS



*MPS 6100 & 6500 Series
Continuous Band Sealers*

THE CONTINUOUS EVOLUTION

Emplex manufactures a diverse range of band sealers based on the unique characteristics of the MPS design. Each machine in the MPS series is engineered to meet the specific demands of either a particular industry or a particular bag type, either through design or variation in ability of the three sealing parameters. One of the hallmark features of the MPS line of sealers is the modularity of its optional units – most of which can be added or removed as production requirements demand. Designed with minimal down time in mind, the MPS series of machines offer tool-less, immediate access to the sealing section and an easily accessible, well laid out electrical control box. Detailed supporting documentation, including electrical schematics and exploded sub-assembly diagrams, are available to customers for download off our website. Emplex also offers 24-hour spare parts turnaround on orders placed before 2:00 pm EST. Since 1973, Emplex has been a preferred supplier of sealing machinery to a wide array of industries that include food, chemical, medical, agriculture, horticulture, pet, textile, automotive, industrial and many, many more.



MPS 6100 Series

As the base model of the MPS 6000 series, the MPS 6100 boasts a wide range of standard features and capabilities that are intrinsic to each and every model in the MPS 6000 series. These continuous feed sealers have a standard control panel consisting of a variable speed controller, a PID digital temperature controller, and a power on/off switch. The MPS 6000 series utilizes variable pressure sealing bars for the sealing process, which can be adjusted to accommodate variations in bag thickness or composition, ensuring hermetic seals every time. All seals are created using economical Teflon bands which maintain high seal quality and produce consistently strong, clean seals on any heat sealable bag.

▼ General Purpose Sealing

With a sealing section comprised of 5" of heating and 5" of cooling, the MPS 6000 series sealers are designed for the general purpose sealing of a variety of bag styles, materials and sizes. The general rule of thumb is that the MPS 6000 can seal any heat sealable, pillowed style bag of up to 6 mil in thickness (some exclusions apply, so please contact your nearest dealer for clarification). With variable speed up to 500" per minute, the MPS 6000 machines are ideally suited to a single operator.

▼ Add-On Versatility

A number of add-on options can modify and enhance the sealing functionality of this series. These options include: trimmers, printers, embossers, conveyors, pressure rollers and more. This add-on principle means it is possible to add any of these options to the sealing unit at any time, even after the purchase, to accommodate changing production needs — making the MPS series the most versatile sealing machine line available.

▼ Strong Support Capability

Emplex's exclusive infeed system is capable of supporting significant bag weights without the use of a conveyor. Typically, the MPS can support a 10" wide, 3 mil bag containing 2 pounds of product. Less weight is supported as the bag narrows, mil thickness decreases, or if an optional trimmer is added (please contact Emplex for a product test). For bags that require more support, a conveyor can be readily and simply added to the unit.

▼ Teflon Band Tensioning Unit

When sealing bands need to be replaced, Emplex's unique band tensioning unit makes changing Teflon sealing bands as easy as 1-2-3. Precise adjustment to either the tensioning or tracking of the band is simple to perform and allows the user to fine tune settings for optimal set-up of the sealing bands.

▼ Unique Stand Design

This robust anodized aluminum stand (6061-T6) is as functional as it is durable. Built conveyor-ready, the corrosion-resistant stand is infinitely adjustable within the specified range (see the dimensional drawing on the back page). For applications where a taller stand is required we offer an optional 8" extended post. For applications where horizontal sealing is required, we offer a shortened post with a horizontal lock, which can be run with conveyors in the 30" to 36" range.

▼ Additional Options

The following is a list of our more popular additional options for the MPS 6000 series:

- Left to right feed
- Pressure rollers
- 220 Volt machines
- Non-standard seal widths (1/8", 3/8", 1/2", and 3/4" available)
- Casters

MPS 6500 Conveyorized Series

The MPS 6500 series is the conveyorized mate to the 6100 Series, and is required for bag weights of 2 pounds or more. The conveyors are provided standard with an electrical drive connection. All conveyors are stainless steel, food-grade belt conveyors complete with adjustable guide rails and can be manually raised and lowered (see the dimensional drawing on the back page). Standard conveyor size is 6" W x 6' L. An optional, fixed height 12" W x 6', 9', or 12' L conveyor is available as an upgrade.



MPS 6110 & MPS 6510

These models are equipped with the front-end TR60 bag-top trimmer which is easily and quickly removed for servicing or non-trimmed sealing applications. Its rotary blade is height adjustable for accurate trim positioning and can be set to eliminate the "tail" produced above the seal. Scrap is positively removed by our trim belt system. For applications where less than 2" of material is being trimmed or where static is prevalent in the environment, our optional vacuum trim removal system is recommended.

MPS 6120 & MPS 6520

These models come with the ER60 emboss coder. The ER60 unit holds up to 8 characters of standard type and 13 characters of slim type. It is supplied with a standard single line embosser wheel; a double line version is available as an option. Individual pieces of type are purchased separately.

MPS 6130 & MPS 6530

These models come with the PR60 ink printer. The PR60 unit holds up to 13 characters of type per line and depending on the font size you choose, 1 to 3 lines of print can be used. This unit requires individual pieces of type to be purchased in order to print your desired code. Three different font sizes are available: 1/8", 3/16", and 1/4". A range of ink colors are available upon request; black is standard.



MPS 6140

Compact and portable, the MPS 6140 is the table-top version of the MPS 6100. Ideal for lightweight sealing applications (up to 8 oz.), the MPS 6140 sealing head tilts at 0° or 45° for optimum operator efficiency and an optional adjustable product shelf for consistent loading and sealing performance.

MPS 6150 & MPS 6550

These models feature both the TR60 trimmer and the PR60 ink printer.

MPS 6160 & MPS 6560

These models feature both the TR60 trimmer and the ER60 emboss coder as standard options.

