



# Weigh price labeling system GLM-Ievo

Strong performers  
for the food industry



All **industries & areas** of application at a glance **page 20**



**Automatically more performance** The GLM-levo has a lot to offer: A narrow footprint, which makes integration in your production easy. Fast product changes thanks to intelligent technology. Controlled labeling and package quality, which let you easily fulfill international prepack regulations. Moreover, all this is integrated in a modular industrial design. Therefore, you will remain flexible in the long term.

<b>Tailor-made solutions</b>	
Perfectly modular: Your individual building set	6
Double safety: Labeling & inspecting combined	6
Ready for 4.0: Networked, fully automatic processes	7
Providing clear information: Mobile tagging via QR code	7
<b>For a consistent performance</b>	
The solid performer <b>GLM-levo 70/100</b>	8
<b>For round and odd-shaped products</b>	
The specialist for round & odd-shaped products <b>GLM-levo 100V</b>	9
<b>For a high throughput</b>	
Incredibly fast & precise in 3-shift operation <b>GLM-levo 150/170</b>	10
<b>The right solution for every packaging</b>	
As much information as you need <b>GLM-levo 150/170</b>	12
Provide information over three sides <b>GLM-levo C-Wrap</b>	13
<b>For perfect labeling</b>	
Information all-around <b>GLM-levo CleanCut</b>	14
The game changer <b>CleanCut® Linerless Solution</b>	16
<b>System expansions</b>	18
<b>Individual solutions</b>	19
<b>All options</b>	20

**06** Hardware

**22** Software

**24** MyBizerba

BRAIN2 Software—Intelligent production in 360°

MyBizerba—As unique as your fingerprint

# Tailor-made solutions

## Perfectly modular

Your individual building set



The modular system of the GLM-levo provides flexibility: Create your own labeling solution from numerous modules and options.

### Examples

- Matching applicators: Belt applicator, piston, air-yet, rotary, C-Wrap and/or Full-Wrap
- Applicators also combinable based on products
- Variable labels

### Your benefits

- + Seamless integration in the production line
- + Smooth-running processes

## Double safety

Labeling & inspecting combined

Combine your GLM-levo model with inspection systems. This is also possible with Bizerba's modular system. LabelSecure controls the label and the detection coil checks the packaging and its content. This ensures that only perfect products reach the market.

### Your benefits

- + Efficient processes: Double control performance with just one system
- + Strong performance: Use of a market leading detection coil
- + Space-saving: All modules can be integrated in just one system
- + All-round service: In case of service only one contact
- + Analysis convenience: Only one transparent statistical report for both applications



For more about Bizerba Inspection Systems, please see page 18

## Ready for 4.0

Networked, fully automatic processes



Network your production with the intelligent GLM-levo models. Our industrial software BRAIN2 makes it possible. Ideal to optimize your processes and with the flexibility you need to respond to new requirements.

### Your benefits

- + Fully automatic processes
- + Simple, intuitive operation via color touch screen
- + Connection to higher-level ERP systems
- + Transparent workflow and data flow
- + OEE optimization based on production data
- + Complete documentation
- + Optimized availability via digital services, e.g. Bizerba cloud connection incl. 24/7 data access

More about  
· BRAIN2 page 22  
· Bizerba Services page 24

## Provide clear information

Mobile tagging via QR code

Provide retailers and consumers with contemporary food information via smartphone. Your solution: Bizerba software, database and QR code technology integrated in the GLM-levo.

### Your benefits

- + Central master data management and transfer along the supply chain
- + Transparent, digital product information
- + Easy fulfillment of EU Food Information Regulation requirements (LMIV)
- + Full traceability: Batch no., production date etc.

## Bizerba quality

- Intelligent Plug-in® label system ✓
- Unicode inside ✓
- Generation and printing of all common barcodes ✓
- Eco Motion printer: Saving function for thermal transfer ribbon ✓
- Flexible conveying direction: Left to right or right to left ✓



Variant GLM-levo 70/100 with one top labeler

# The solid performer

## GLM-levo 70/100

### Highlights

- Up to three labelers controllable
- Top/bottom labeling possible
- Good performance up to 100 ppm
- Variant GLM-levo 100V

### Recommended products

- Bizerba labels
- Software BRAIN2
- Remote support contract

### Variants

	Applicator	ppm
<b>GLM-levo 70</b>	Air-jet, piston, rotary, belt applicator	max. 70
<b>GLM-levo 100</b>	Air-jet, piston, rotary, belt applicator	max. 100
<b>GLM-levo 100V</b>	Air-jet, piston, rotary	max. 100

### Options

- Metal detection coil
- Vision inspection system
- Thermal transfer printing
- Eco Motion printer
- Package guidance automatically adjusts to the article width
- Print speed up to 300 mm/s

**Your specialist for  
round & odd-  
shaped products**  
GLM-levo 100V



The V-shaped conveyor belt ensures gentle labeling of round or odd-shaped products



Variant GLM-levo 150/170 with two top labelers and one bottom labeler

**i Fast and cost-effective maintenance**  
 Increase your productivity with the design concept of the GLM-levo. Replace wear and tear parts without tools. Our fast and cost-effective remote support also helps you to reduce downtimes.

# Incredibly fast & precise in 3-shift operation GLM-levo 150/170

## Highlights

- Up to six labelers controllable
- Top/bottom/C-Wrap or Full-Wrap labeling possible
- Strong performance up to 170 ppm
- Optimal label positioning: Motorized height and lateral adjustment
- Ideally suitable for very small packages with a net content of 25 g or more

## Variants

	Applicator	ppm
<b>GLM-levo 150</b>	Air-jet, piston, rotary, belt applicator, C-Wrap/Full-Wrap	max. 150
<b>GLM-levo 170</b>	Air-jet, piston, rotary, belt applicator, C-Wrap/Full-Wrap	max. 170

## Options

- Metal detection coil
- Vision inspection system
- Thermal transfer printing
- Eco Motion printer
- Package guidance automatically adjusts to the article width
- Print speed up to 300 mm/s

## Recommended products

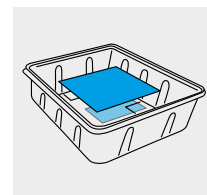
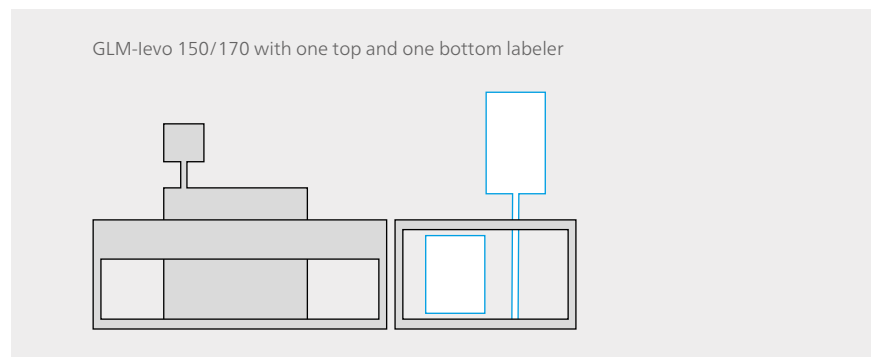
- Bizerba labels
- Software BRAIN2
- Remote support contract

For more  
 applicator combinations,  
 please see page 12 & 13

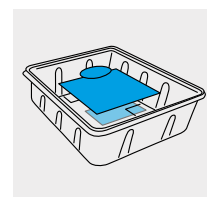
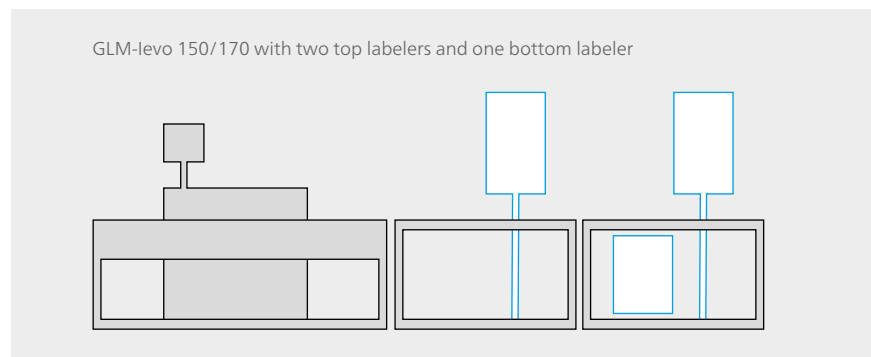


# As much information as you need GLM-Ievo 150/170

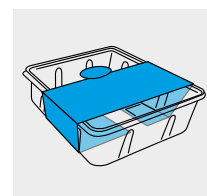
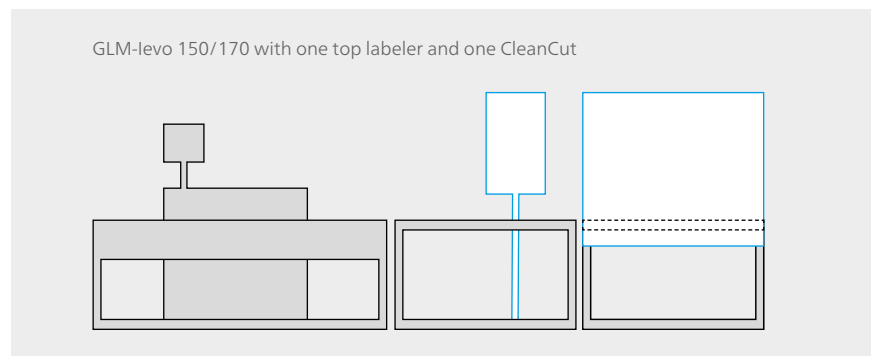
# Provide information over three sides GLM-Ievo C-Wrap



Top & bottom



Two top & bottom



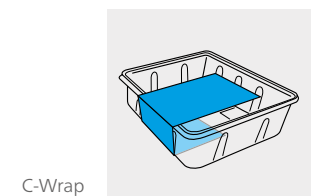
Top & Full-Wrap



Variant GLM-Ievo C-Wrap with one top labeler and one bottom labeler

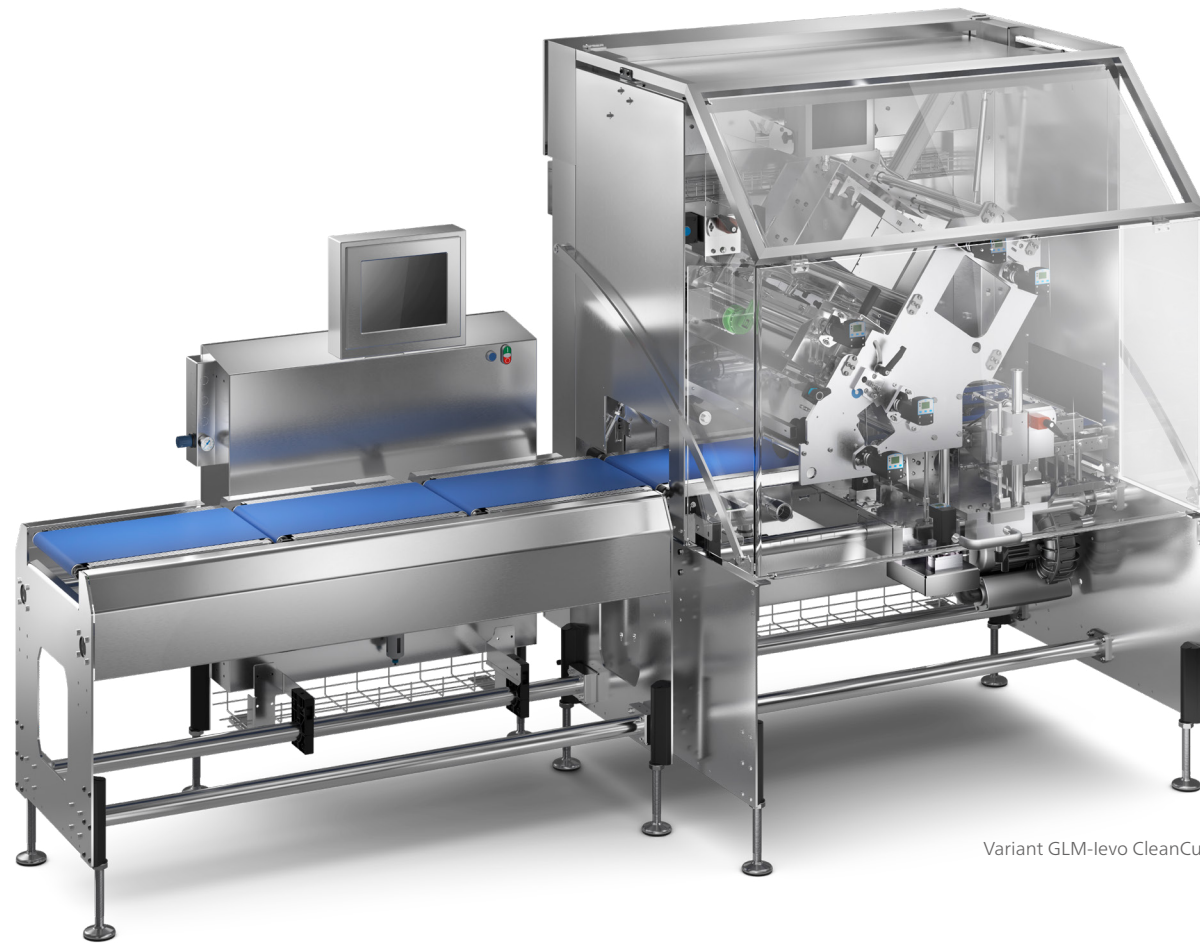
### Highlights

- Label completely printable
- Special label shapes possible
- Combinable with top and/or bottom labeler
- Alternating operation with two labelers



C-Wrap

# Information all-around GLM-levo CleanCut



Variant GLM-levo CleanCut

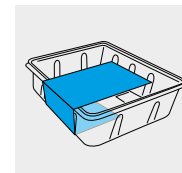
**i** CleanCut® Linerless for a particularly economic production. The applicator cuts in adhesive-free gaps of the labels.  
**Your benefits:**  
+ A clean blade  
+ You save time during cleaning and maintenance

## Highlights

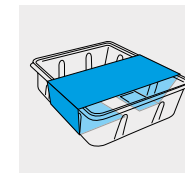
- Processes linerless labels
- Exact label placement at up to 120 ppm
- Two print fields for variable data
- Can be used as C-Wrap and Full-Wrap applicator
- Combinable with top and/or bottom labeler

## Recommended products

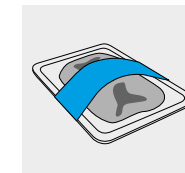
- CleanCut® Linerless
- BRAIN2 Prepack\_Compliance
- General labeling contract



C-Wrap



Full-Wrap



Full-Wrap

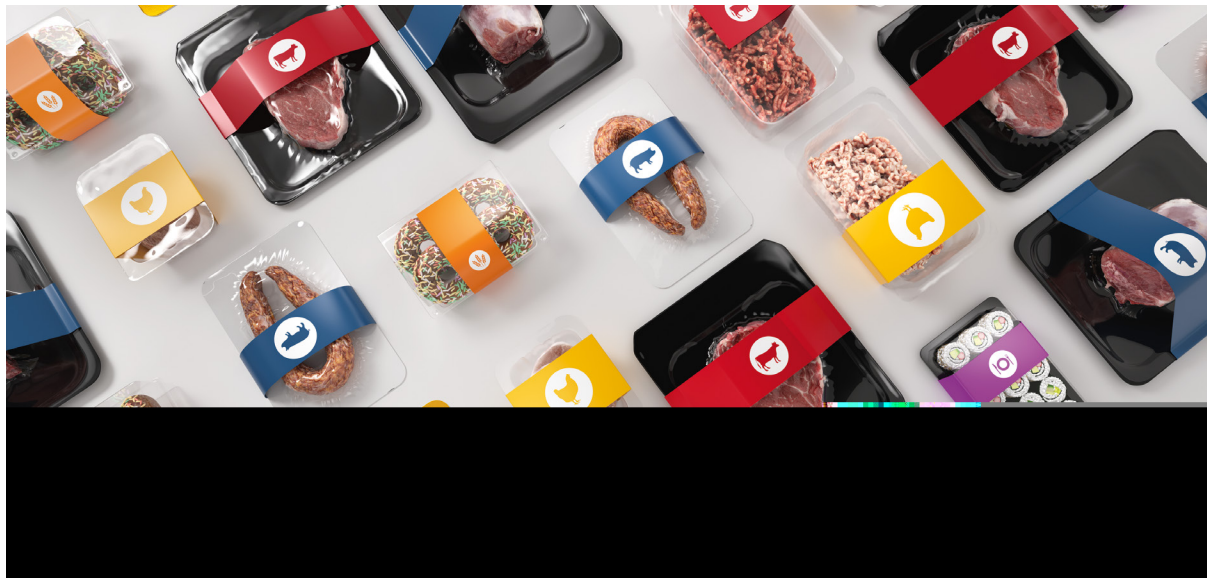
For more about  
CleanCut® Linerless  
please see page 16



# The Game Changer

## CleanCut®

### Linerless Solution



#### No more compromises—labeling to perfection

Benefit from all advantages: The CleanCut® Linerless Solution revolutionizes Full-Wrap and C-Wrap labeling with linerless labels. A complete solution consisting of labels, hardware, software, service and support from a single source for a clear increase in efficiency.

#### CleanCut® Linerless

Saving costs & resources

No more adhesive residues on blades. Our globally unique coating technology saves adhesive on the cutting areas. The blade is almost free from adhesion. In addition, your GLM-Ilevo CleanCut system keeps running much longer. Use every millimeter of a roll with CleanCut® Linerless. The perfect adhesive layer all over the innovative label makes the linerless labels even more economical. Good for your costs. Good for the environment.

#### Optimal hardware

For flawless results

Labeling system GLM-Ilevo CleanCut and CleanCut® Linerless labels perfectly match for best performance. The GLM-Ilevo CleanCut impresses with high precision label positioning and increases productivity due to easy-to-replace wear and tear parts. Minimal setup times for article changes thanks to automatic setting to package size, label position and print area.

#### Perfect teamwork

Quality up, setup times down

Avoid machine downtimes—label and hardware make a perfect team. Match your CleanCut® Linerless Solution exactly to your needs: using Bizerba labeling and weighing technology, labels and software, with our global service and support as well as our financing offers.

#### Increase productivity, efficiency and sustainability of your production

- + **Considerably lowering effort:** Significantly less blade cleaning due to less adhesion of adhesive residues
- + **Fewer roll changes:** Up to 90 % more labels per roll compared to labels with liner
- + **Saving storage space:** Less rolls in stock as CleanCut® Linerless label rolls have more labels
- + **Using linerless rolls up to the core:** Even adhesion application
- + **Minimal setup times for article changes** through automated adjustment
- + **High quality product presentation** in the store shelf even if the label carries a lot of information
- + **Avoiding waste:** No liner, no punching residues, roll use up to the core

CleanCut®

# System expansions

## Inspection solutions

Complete control for flawless products, easy to integrate in your GLM-levo model.



### Vision inspection system LabelSecure—Highlights

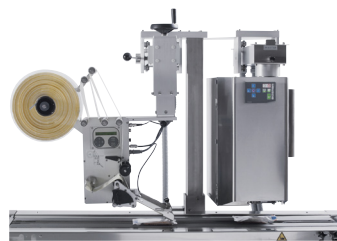
- Checks labels without contact, non-destructive
- Prevents incorrectly labeled packages in retail
- Suitable for packaging lines with automatic product change



### Metal detection coil—Highlights

- Checks for metal-containing foreign objects
- Fulfills current standards: HACCP, IFS and BRC

## Further system expansions



### Label dispenser LDI 160—Highlights

- Safely applies pre-produced self-adhesive labels on variable surfaces
- Can be fully integrated: Just one operating unit for two devices
- Requires less space



### LCE line converger—Highlights

- Feeds packages in a controlled manner
- Up to six upstream product lanes can be converged in one lane



### Unit maker TU 100—Highlights

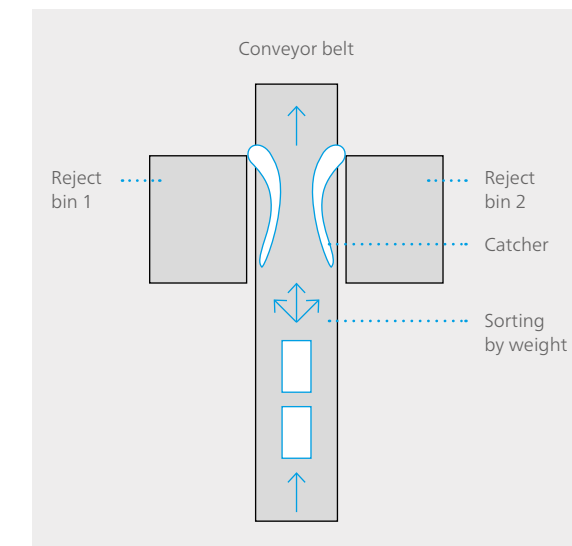
- Creates freely defined units for downstream processes such as packaging

# Individual solutions

## Variant GLM-levo with rejection & sorting station

### Example customer requirements

- Sorting of different products in a confined space



### Solution

- One belt station with two catchers & one package ejector
- Industrial design with small footprint

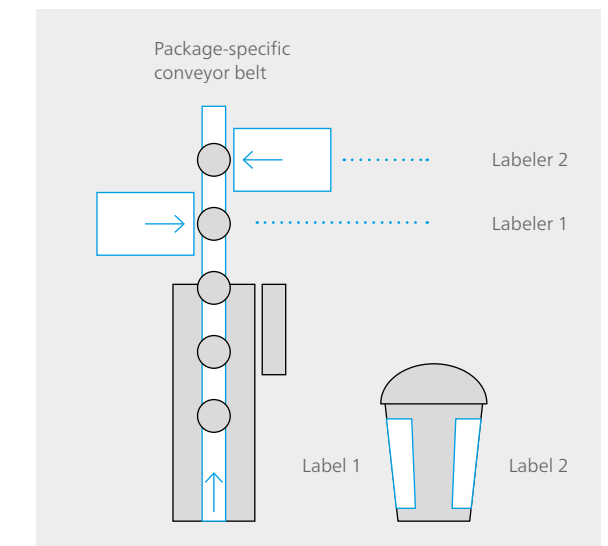
### Result

- Three rejection options: Right, left, straight ahead
- Gentle product sorting

## Variant GLM-levo 2S with two side labelers

### Example customer requirements

- Labeling front and back of narrow cups
- Safe product labeling and handling



### Solution

- Package-specific labeling conveyor
- Two labelers with air-jet applicator

### Result

- Front and back in one labeler
- High labeling and package quality for sensitive products

# All options



GLM-levo 70/100

The solid performer



GLM-levo 150/170

Incredibly fast & precise in 3-shift operation

## Weigh price labeling system

### Variants

### Industries

	GLM-levo 70	GLM-levo 100	GLM-levo 150	GLM-levo 170
Meat and sausage products	✓	✓	✓	✓
Fruit & Vegetables	✓	✓	✓	✓
Dairy products	✓	✓	✓	✓
Convenience	✓	✓	✓	✓

### Packaging types

MAP	✓	✓	✓	✓
Skin packaging	✓	✓	✓	✓
Shrink packaging	✓	✓	✓	✓
Flow wrapping	✓	✓	✓	✓

### Technical data

	GLM-levo 70	GLM-levo 100	GLM-levo 150	GLM-levo 170
Weighing range kg	6, 6/10, 12, 6/15	6, 6/10, 12, 6/15	6, 6/10, 12, 6/15	1, 5, 3
Minimum FPV (prepack regulations) g	150, 500	150, 500	150, 500	25, 50
Throughput max. ppm	<70	<100	<150	<170
Package size min. W x L x H mm	40x40x>1	40x40x>1	40x40x>1	40x40x>1
Package size max. W x L x H mm	400x650x250	400x650x250	300x450x250	300x450x250
Weighing belt dimensions W x L mm	300x400 300x500 300x700 400x500 400x700	300x400 300x500 300x700 400x500 400x700	300x400 300x500 300x700	200x350 300x400 300x500

Applicators	Air-jet, piston, rotary, belt applicator	Air-jet, piston, rotary, belt applicator	Air-jet, piston, rotary, belt applicator	Air-jet, piston, rotary, belt applicator
Labels	Thermal and non-thermal labels	Thermal and non-thermal labels	Thermal and non-thermal labels	Thermal and non-thermal labels
Maximum number of labelers	3	3	6	6

### System expansions

Vision inspection system LabelSecure	Downstream	Downstream	✓	✓
Metal detection coil	✓	✓	✓	✓
Label dispenser LD1 160	-	-	✓	✓
Line converger LCE	✓	✓	✓	✓
Unit maker TU 100	✓	✓	✓	✓

.....

### Key

✓ Standard    (✓) Option    - Not available

# Variants



GLM-levo 100V

Your specialist for round & odd-shaped products



GLM-levo C-Wrap

Provide information over three sides



GLM-levo CleanCut

Information all-around

### Variants

### Industries

	GLM-levo 100	GLM-levo 150/170	GLM-levo 150/170
Meat and sausage products	(✓)	✓	✓
Fruit & Vegetables	✓	✓	✓
Dairy products	-	✓	✓
Convenience	-	✓	✓

### Packaging types

MAP	✓	✓	✓
Skin packaging	✓	✓	✓
Shrink packaging	✓	✓	✓
Flow wrapping	✓	✓	✓

### Technical data

	GLM-levo 100	GLM-levo 150/170	GLM-levo 150/170
Weighing range kg	15.000	3.000	3.000
Minimum FPV (prepack regulations) g	500, 2.500	150, 500	150, 500
Throughput max. ppm	<100	<120	<120
Package size min. W x L x H mm	40x40x>1	50x80x>20	125x160x>10
Package size max. W x L x H mm	400x650x250	300x680x150	300x450x250
Weighing belt dimensions W x L mm	400-500	300x400 300x500 300x700	300x400 300x500 300x700

Applicators	Air-jet, piston, rotary	C-Wrap	Full-Wrap/C-Wrap
Labels	Thermal and non-thermal labels	Thermal and non-thermal labels	CleanCut® Linerless
Maximum number of labelers	1	4	4

### System expansions

Vision inspection system LabelSecure	-	-	✓
Metal detection coil	-	✓	✓
Label dispenser LD1 160	-	✓	✓
Line converger LCE	✓	✓	✓
Unit maker TU 100	✓	✓	✓

# BRAIN2 software

## Intelligent production in 360°

With BRAIN2, your production becomes an intelligently networked business process:

- With one software you digitize all management and device tasks
- You gain a qualified data pool in real time as a decision making tool
- You centrally control, manage, document and analyze all processes
- You gain transparency and dynamics of a fully automatic production
- At any time you are open for 3rd-party hardware or software and
- simply integrate BRAIN2 in your ERP system.

What applies to your Bizerba hardware also holds true for your BRAIN2 software: Create your individual solution with the modular app concept. BRAIN2 grows with your requirements. For our range of apps, please go to [bizerba.com/brain2](https://bizerba.com/brain2)

### Management software

#### Record & evaluate process data

BRAIN2 Capture

#### Record & manage incoming goods

BRAIN2 Stock\_Control

#### Manuel dosing, formulating & batching

BRAIN2 Formulation

#### Individual sample checking

BRAIN2 Sample\_Test

#### Avoid overfilling & underfilling

BRAIN2 Portion\_Control

#### Manual order processing

BRAIN2 Sales\_Order\_Management

#### Complete shipping management

BRAIN2 Global\_Shipping

#### Determine & optimize OEE values

BRAIN2 OEE

#### Visualize production data

BRAIN2 Dashboard

#### Prepare reports for weigh price labelers & checkweighers

BRAIN2 Prepack\_Compliance

#### Edit complete labeling jobs from the ERP system

BRAIN2 Order\_Processing

### Device software

#### Central master data maintenance

BRAIN2 Data\_Maintenance

BRAIN2 Data\_Maintenance\_Basic

#### Back up data

BRAIN2 Safety\_Service

#### Central device user management

BRAIN2 Device\_Access

#### Label layout design

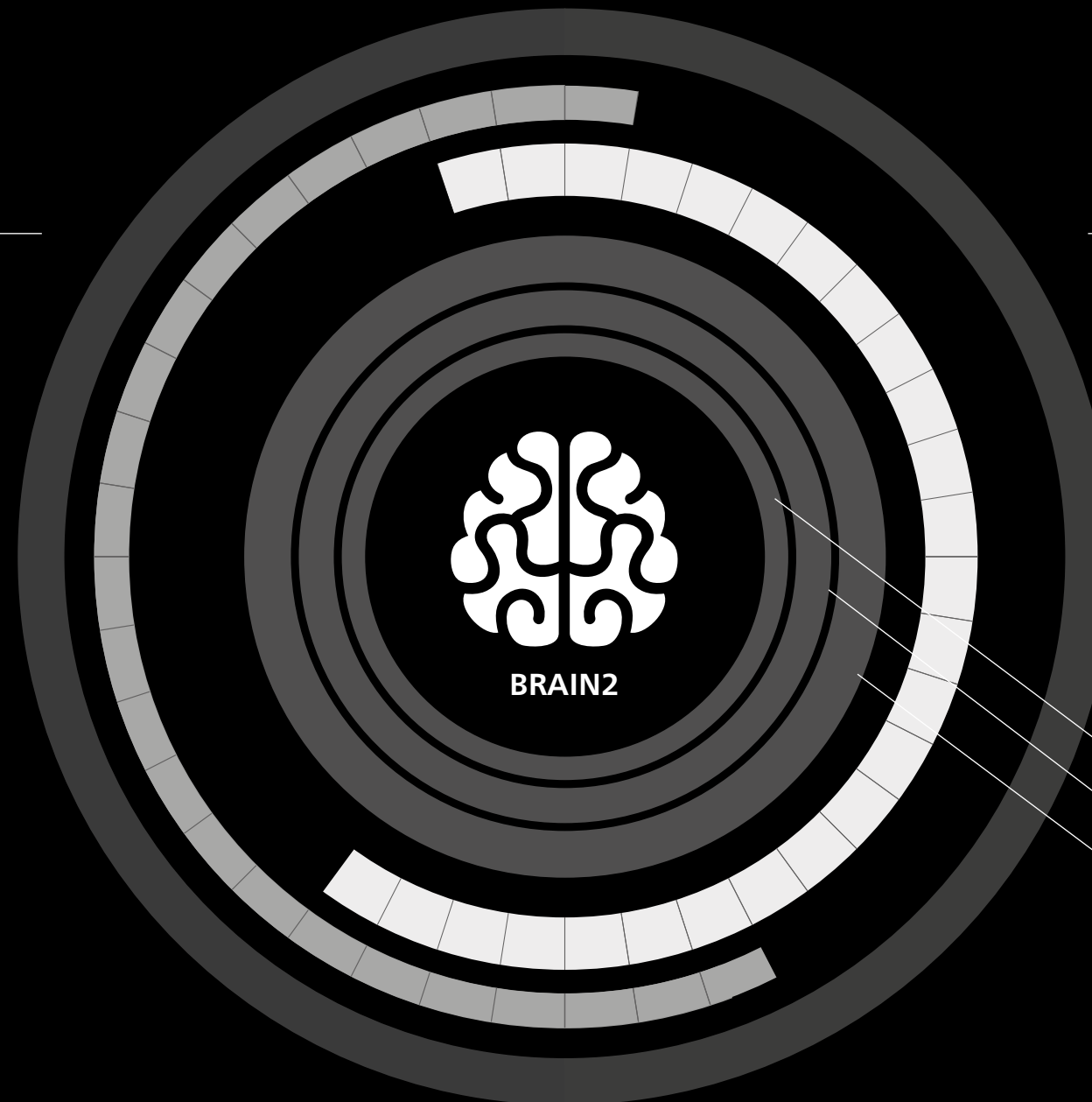
BRAIN2 Label\_Designer

#### BRAIN2 server

BRAIN2 Basic

BRAIN2 Standard

BRAIN2 Enterprise



**i** Only pay for services you exactly need. Simply choose your BRAIN2 server package – Basic, Standard or Enterprise.



# MyBizerba

## As unique as your fingerprint

Your company is unique. So should be your next investment. Create a solution with MyBizerba, which lets you get ahead. Combine hardware, software, labels, services and financing. Individual and matching your industry. Discover your opportunities.

### Hardware

Choose exactly the solution that you need from an unusually broad variety of series and options. Ranging from analog or network-capable and stand-alone models up to the digital production line. Ergonomic design, high quality processing and international standards included.

#### Your selection

- Retail scales
- Checkout systems
- Slicers
- Meat processing
- Industrial scales
- Dynamic checkweighers
- Weigh price labeling systems
- Logistics systems
- Filling systems
- Care products

### Labels

Benefit from our pool of experience, which is reflected in countless possible combinations. Our custom-fit label solutions have something in common: They are impressive due to best properties. We are happy to advise you for your individual solution.

#### Your selection

- Thermal labels
- Special labels
- Decorative labels
- Label management



### Software

Bizerba Software simply makes your processes better. Benefit from an open and modular architecture, which grows with your demands. Create your intelligent tool by means of which you centrally control processes, manage and analyze them. The ideal basis to optimize your processes.

#### Your selection

- Industrial software
- Retail software

### Services

We keep an eye on everything for you. This makes us a solutions provider who supplies you with products and services from a single source. Our service specialists make sure worldwide that everything runs smoothly right from the start. Up to 24/7, fast, efficient and at predictable costs.

#### Your selection

- Consulting
- Installation
- Maintenance
- Stand-by
- Remote support
- User helpdesk
- Contracts

### Financing

Unfold your potential. We create suitable financing models with you so you can stay competitive. With an independent and open view for your industry, your individual needs and sufficient freedom which will allow you flexibility for the long term.

#### Your selection

- Leasing
- Rent
- Hire purchase

# 1 company, 1,000 opportunities

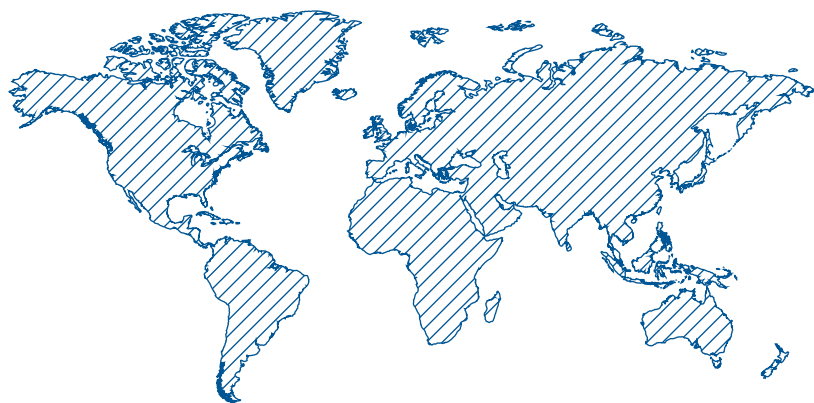
1866

## More than 150 years of experience

For 5 generations, our family-owned company has been closely connected with the world of weighing. Highest quality, innovative solutions and a full-service offering. This is Bizerba—and has been since 1866.

## In 120 countries worldwide

Bizerba is great in almost all Countries of the world with their own subsidiary company represented. Are sales and service partners in many other countries for ours Active customers. Overall are we in over 120 countries worldwide present.



»I am convinced that sustainability is the key to our customers' success. Exactly from this vision arose MyBizerba—a modular solutions portfolio consisting of hardware, software and digital services.«

Andreas W. Kraut, CEO and shareholder,  
Bizerba SE & Co. KG

80  
million m<sup>2</sup>

of labels are manufactured every year at our international locations.

4,100

4,100 employees One family. 150 years of experience. One common aspiration: To be open. For our customers, their passion and their goals. Here in Germany or worldwide. Welcome to the Open World of Bizerba

100%

## family-owned business

For 5 generations the family Kraut has been leading Bizerba into the future. With our innovations, today we are much more than an international market leader. We are your partner you can rely on.

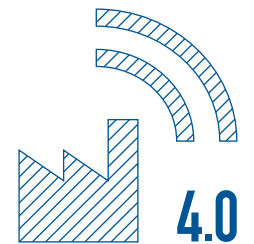
## Over 600 different products & solutions

Bizerba sets standards within the industry and retail sector. We offer solutions for weighing, cashing, labeling, monitoring and checking as well as for food processing, order picking and controlling of distribution and sales on an international level.

> 600

## Ready for 4.0

With our Smart Solutions we actively help design today Retail 4.0 and Industry 4.0. Thereby we support our customers in mastering the challenges of digitalization. We offer efficient cloud solutions, innovative services and business models.



24/7

To make sure that everything runs smoothly we are at your service up to 24/7. We are personally available to you via our service hotline. Your qualified contact person makes sure that one of our local service employees will help you quickly and straightforwardly.





[bizerba.com](http://bizerba.com)

---

**Bizerba SE & Co. KG**  
Wilhelm-Kraut-Straße 65  
72336 Balingen  
Germany

T +49 7433 12-0  
F +49 7433 12-2696

[www.bizerba.com](http://www.bizerba.com)

© 1st edition 092020. Subject to modifications.  
Illustration title: GLM-Ievo 150/170 with two top labelers and one bottom labeler  
Deviations in color, printing errors due to the photographic material or printing,  
or changes in construction and model are reserved.

**BIZERBA**