

iQ-Shuttle

High Speed Low Cost Scale

More Speed for Less

- ◆ More Speed:
Up to 50 fills
per minute using
two weigh buckets
- ◆ Low Cost
compared to existing
multiple lane scales
offering similar rates
- ◆ Less Maintenance
only 2 load cell scale
- ◆ Less Cleaning
only 2 weigh buckets
- ◆ Compact Design
fits in a 4' cube,
offers short product
drop



***Automate with a bagger
or container indexing
conveyor***

Only from...



WEIGH RIGHT
Automatic Scale Co.

800-571-0249
www.weighright.com

3 Models Available

**1 oz. to 5 lbs.
1 lb. to 10 lbs.
5 lbs. to 50 lbs.**

iQ-SHUTTLE

Fully Automate with Bagger or Conveyor



iQ-Shuttle utilizes touch screen interface controls.

HOW IT WORKS:

The iQ-Shuttle vibrates a continuous stream of product into a directional funnel that shuttles between two weigh buckets and ensures no underweights and tight accuracy.

iQ-Shuttle with Indexing Conveyor:

The iQ-Shuttle is ideal to fill nutmeats, coffee, seeds, granules, pellets, and small candies, into cans, jars, trays or tubs.

The iQ-SHUTTLE is available in three models: 1 oz. to 5 lbs., 1 - 10 lbs., and 5 - 50 lbs.

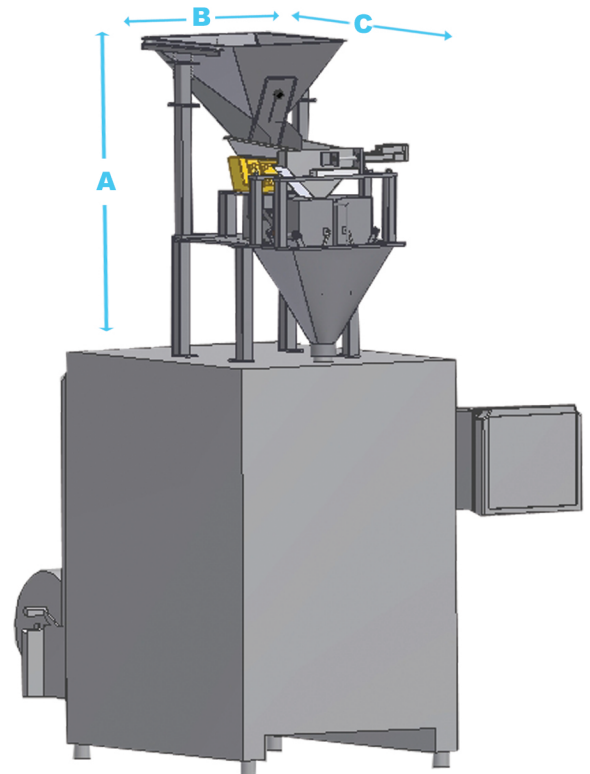
iQ-Shuttle with Bagger:

The iQ-Shuttle can be supported on a split support frame over the transition funnel of your bagger or mounted to the top plate on most vertical baggers. The short stack-up height is minimal compared to multiple lane linear scales and combination scales yet offering moderately high speed filling.

WEIGHTS AND RATES*

1 - 8 oz.	45-50 fills per minute
8 - 16 oz.	40 fills per minute
1.5 - 2 lbs.	30 fills per minute (may require double dump)
2.5 - 3 lbs.	25 fills per minute (may require double dump)
3.5 - 5 lbs.	20 fills per minute (may require double dump)

*Above rates are estimated and final guarantees subject to product samples and testing. Accuracy is subject to product piece size, density and consistent head pressure.



SPECIFICATIONS:	Height (A)	Width (B)	Depth (C)
iQ-Shuttle over bagger:	48 inches	25 inches	43 inches
iQ-Shuttle on stand:	83 inches	49 inches	48 inches



612-A Mills Rd. Joliet, IL 60433
 Ph: 815-726-4626 Fax: 815-726-7638
 800-571-0249 www.weighright.com

Printed in the USA