

1 | 2 | 3 | 4 | 5 | 6 | 7 | 8 | 9 | 10 | 11 | 12 | 13 | 14 | 15 | 16 | 17 | 18 | 19 | 20 |

FILENAME	FILEDATE	TIME	SH	DWGDESC
index	2005-02-15	09:16	0	
notes	2005-02-07	10:02	1	
110 vac distribution	2005-02-07	10:02	10	
110 vac distribution 2	2005-02-07	10:02	11	
120 vac 24 vdc distribution	2005-02-07	10:02	15	
24 vdc power	2005-02-15	09:07	16	
ID Technologies printer	2005-02-15	09:11	17	
discharge conv - standalone - dc & ac	2005-02-07	10:02	20	
film feed servo	2005-02-07	10:02	24	
jaw drive servo	2005-02-07	10:02	25	
dio connector	2005-02-15	09:12	30	
analog io & thermocouple connectors	2005-02-07	10:02	31	
pkgr guard relay	2005-02-07	10:02	40	
special cables	2005-02-07	10:02	51	
bom	2005-02-07	10:02	50	

①

① ADDED SHEET #17 TO PROJECT FOR PRINTER OPTION. / 2-15-05 / DRV

This drawing and all information contained herein is the property of Rennco, Inc. and is confidential and must not be made public or reproduced by any means unless authorized by Rennco, Inc. and is subject to return upon demand.



RENNCO INCORPORATED
 PACKAGING MACHINES AND SYSTEMS
 23721 M60 W. - HOMER, MI 49245 PHONE: (517) 568-4121
 FAX: (517) 568-4799

ENG. BY: DRV	W.D. NO: M8004844	MODEL: E-PAC	TITLE: INDEX	SECTION:	DRAWING NUMBER: C0001378	PAGE NUMBER: 0
DRAWN BY: DRV	VIA	DATE: 9/27/04	E-PAC PACKAGER W/ STD OPTIONS			

1 | 2 | 3 | 4 | 5 | 6 | 7 | 8 | 9 | 10 | 11 | 12 | 13 | 14 | 15 | 16 | 17 | 18 | 19 | 20 |

WIRING NOTES

1. THE TYPICAL PROXIMITY SWITCH WIRING IS:

2. THE DIFFUSED PHOTO SENSOR WIRING IS:

3. THE RETROREFLECTIVE PHOTO. SENSOR WIRING IS:

4. THE OPPOSED PHOTO SENSOR WIRING IS:

5. THE 120 VAC WIRE #5 IS TO BE 14 GA. RED FROM ITS PROTECTIVE FUSE TO ITS TERMINAL STRIP LOCATION. ALL OTHER 120 VAC WIRES ARE TO BE 16 GA. RED UNLESS USED IN A SPECIAL CABLE.

6. THE GROUND WIRE IS TO BE 14 GA. GREEN FROM TRANSFORMER TO GROUND TERMINAL STRIP.

7. THE NEUTRAL WIRE #6 IS TO BE 14 GA WHITE (NEUTRAL) FROM T1 TO ITS TERMINAL STRIP. ALL OTHER #6 WIRES ARE TO BE 16 GA. WHITE UNLESS USED IN A SPECIAL COMPONENT CABLE.

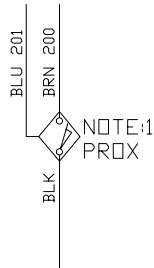
8. ALL DC WIRES ARE TO BE 16 GA. BLUE IN WIREWAYS AND 18 GA. BLUE WITHIN ENCLOSURES EXCEPT IN SPECIAL CABLES FOR COMPONENTS.

9. ALL SPADE WIRE CONNECTORS MUST BE AN "UL RECOGNIZED" LOCKING SPADE STYLE.

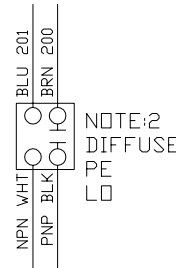
10. LABEL THE DUPLEX OUTLET FOR 120 VAC/ 2 AMP MAXIMUM USE ONLY.

11. ALL FUSES LISTED IN THE FUSE TABLE MUST BE LABELED ON THE PANEL TO INDICATE THEIR EXACT LOCATIONS.

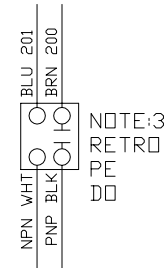
12. ● INDICATES COMPONENT IS LOCATED IN OPERATOR ENCLOSURE



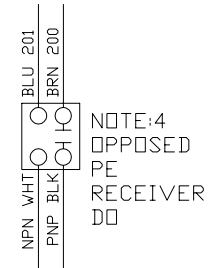
NOTE:1
PROX



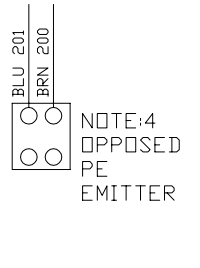
NOTE:2
DIFFUSE
PE
LO



NOTE:3
RETRO
PE
DO



NOTE:4
OPPOSED
PE
RECEIVER
DO



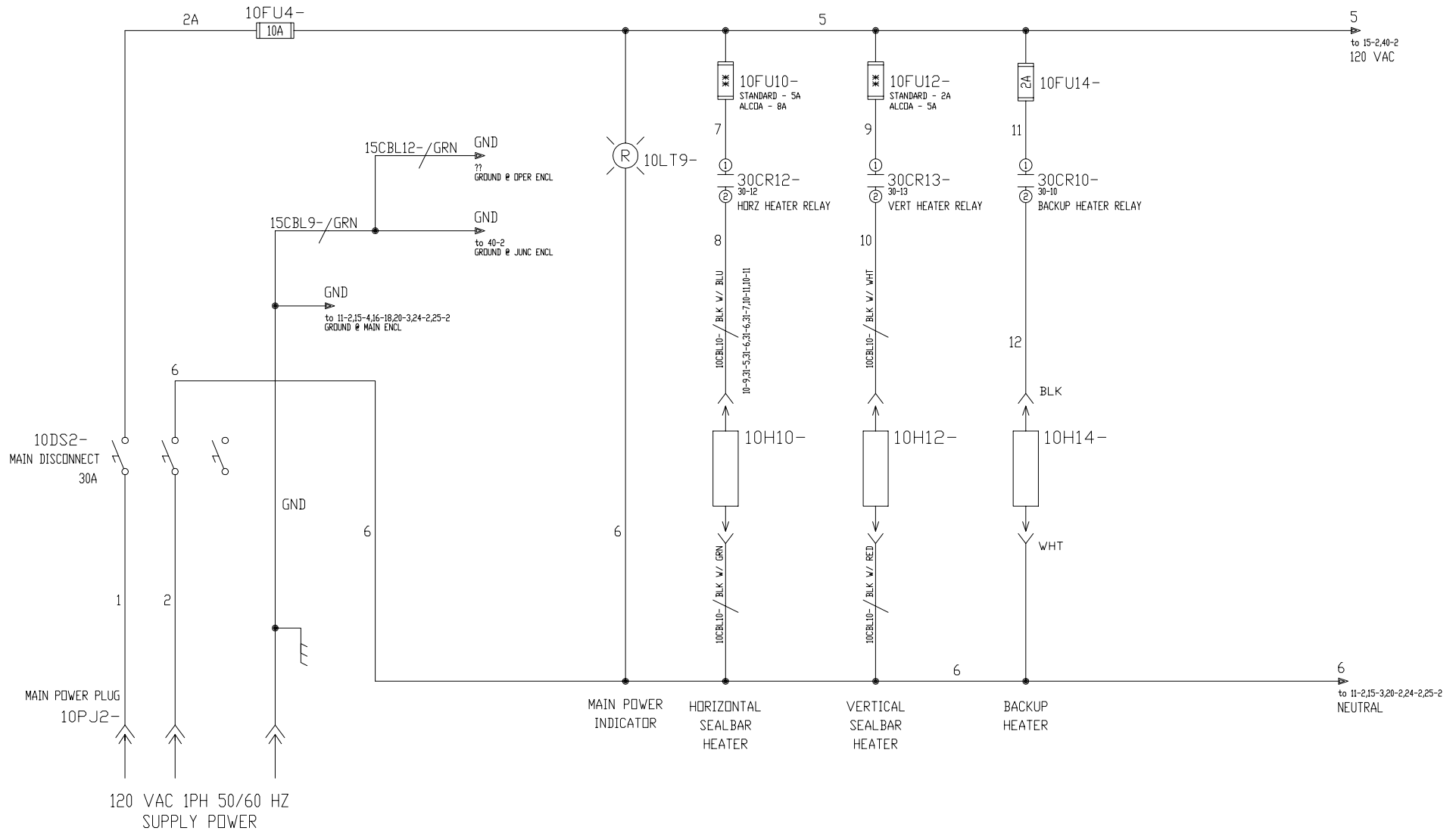
NOTE:4
OPPOSED
PE
EMITTER

This drawing and all information contained herein is the property of Renngo, Inc. and is confidential and must not be made public or reproduced by any means unless authorized by Renngo, Inc. and is subject to return upon demand.


RENNGO INCORPORATED
PACKAGING MACHINES AND SYSTEMS
23721 M60 W. - HOMER, MI 49245
PHONE: (517) 568-4121
FAX: (517) 568-4799

ENG. BY: DRV	W.D. NO.: M8004844	MODEL: E-PAC	TITLE: NOTES	SECTION:	DRAWING NUMBER: C0001378	PAGE NUMBER: 1
DRAWN BY: DRV	VIA	DATE: 9/27/04	E-PAC PACKAGER W/ STD OPTIONS			

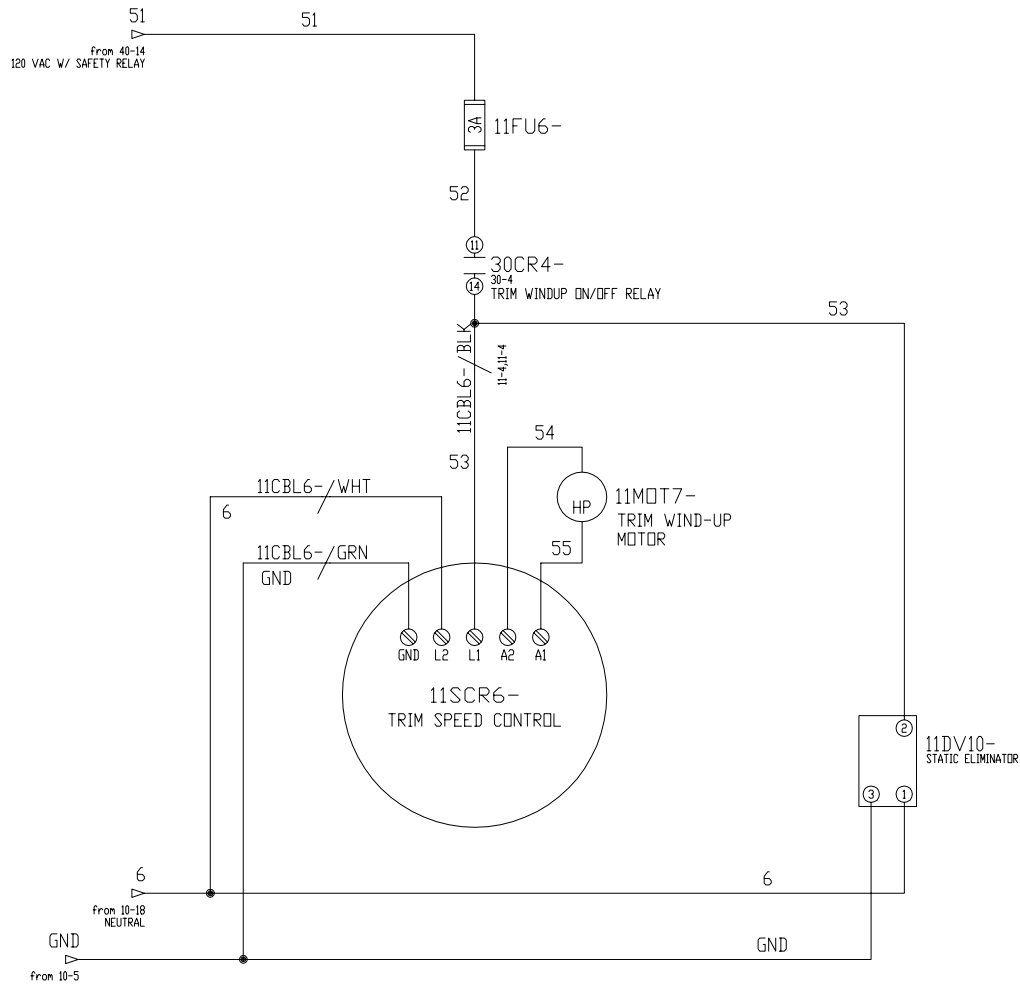
1 | 2 | 3 | 4 | 5 | 6 | 7 | 8 | 9 | 10 | 11 | 12 | 13 | 14 | 15 | 16 | 17 | 18 | 19 | 20 |



This drawing and all information contained herein is the property of Renngo, Inc. and is confidential and must not be made public or reproduced by any means unless authorized by Renngo, Inc. and is subject to return upon demand.

 RENNGO INCORPORATED PACKAGING MACHINES AND SYSTEMS		23721 M60 W. - HOMER, MI 49245 PHONE: (517) 568-4121 FAX: (517) 568-4799	
ENG. BY: DRV M8004844	W.D. NO.: M8004844	MODEL: E-PAC	TITLE: 110 VAC DISTRIBUTION E-PAC PACKAGER W/ STD OPTIONS
DRAWN BY: DRV VIA	DATE: 9/27/04	DRAWING NUMBER: C0001378	PAGE NUMBER: 10

1 | 2 | 3 | 4 | 5 | 6 | 7 | 8 | 9 | 10 | 11 | 12 | 13 | 14 | 15 | 16 | 17 | 18 | 19 | 20 |



This drawing and all information contained herein is the property of Renngo, Inc. and is confidential and must not be made public or reproduced by any means unless authorized by Renngo, Inc. and is subject to return upon demand.

 RENNGO INCORPORATED PACKAGING MACHINES AND SYSTEMS		23721 M60 W. - HOMER, MI 49245 PHONE: (517) 568-4121 FAX: (517) 568-4799	
ENG. BY: DRV W.D. NO.: M8004844 MODEL: E-PAC DATE: 9/27/04	TITLE: 110 VAC DISTRIBUTION 2 E-PAC PACKAGER W/ STD OPTIONS	SECTION: POWER	DRAWING NUMBER: C0001378 PAGE NUMBER: 11

ENG. BY: DRV
 W.D. NO.: M8004844
 MODEL: E-PAC
 DATE: 9/27/04

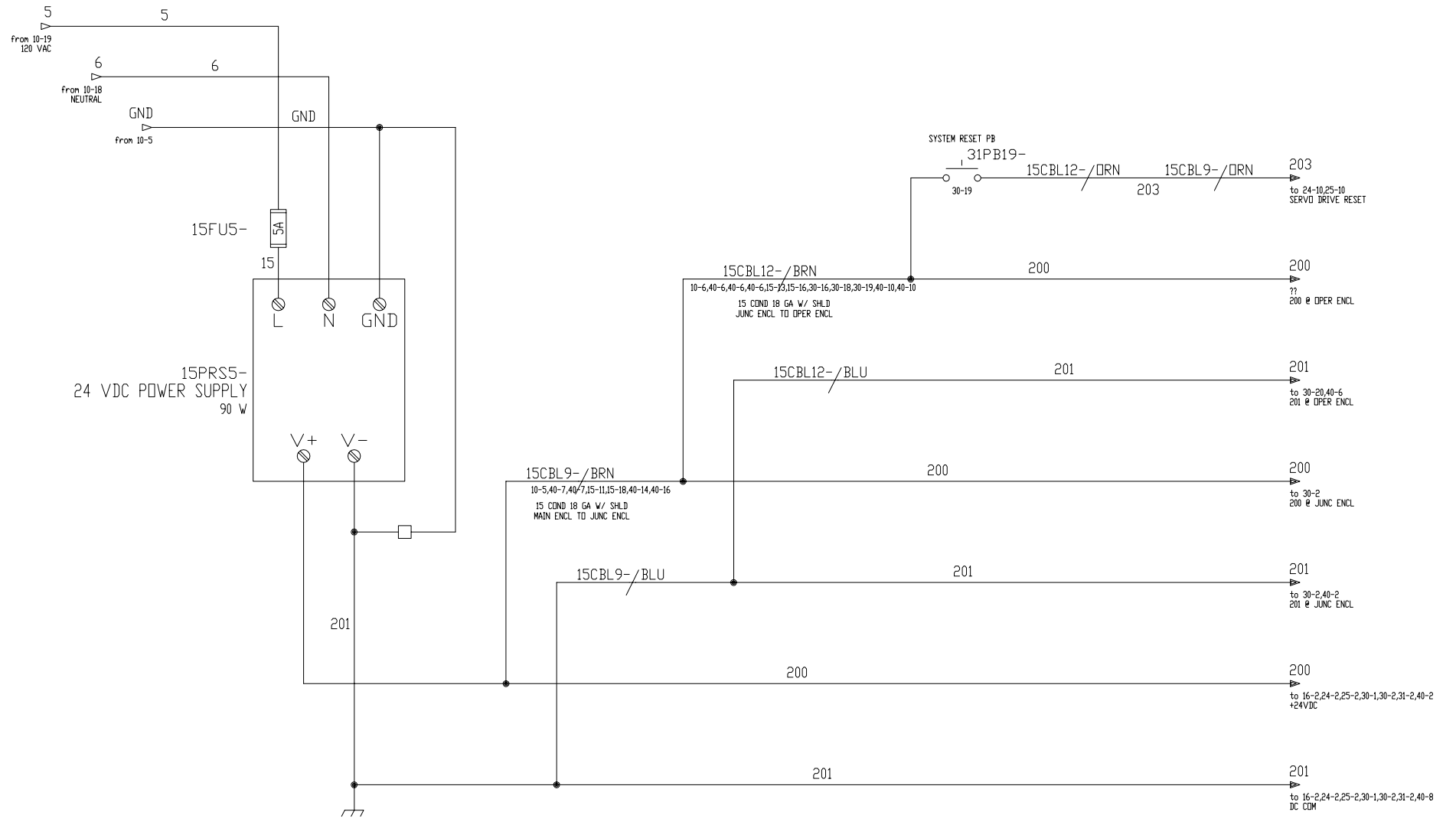
TITLE: 110 VAC DISTRIBUTION 2
 E-PAC PACKAGER W/ STD OPTIONS

SECTION: POWER

DRAWING NUMBER: C0001378

PAGE NUMBER: 11

1 | 2 | 3 | 4 | 5 | 6 | 7 | 8 | 9 | 10 | 11 | 12 | 13 | 14 | 15 | 16 | 17 | 18 | 19 | 20 |

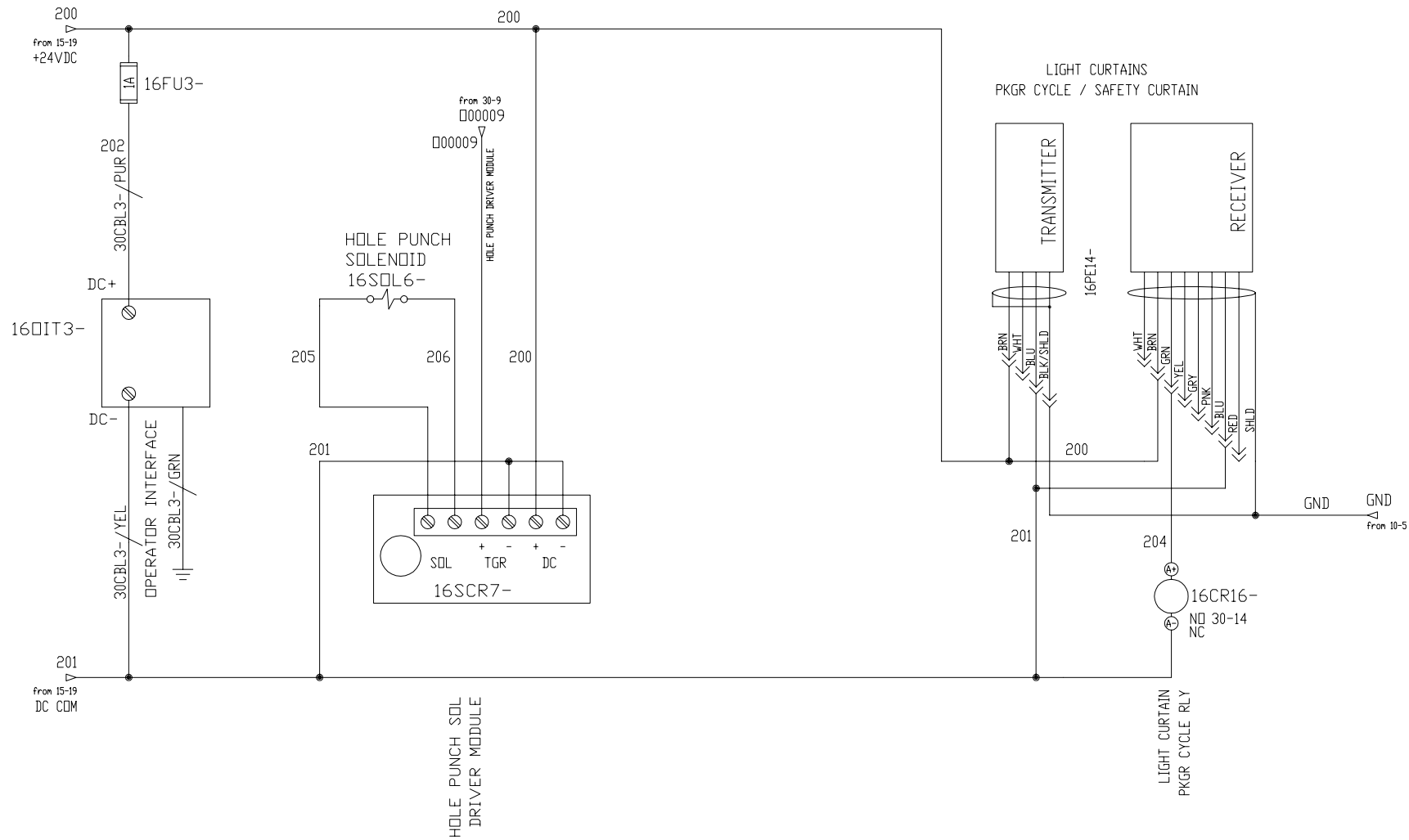


This drawing and all information contained herein is the property of Rennco, Inc. and is confidential and must not be made public or reproduced by any means unless authorized by Rennco, Inc. and is subject to return upon demand.

 RENNCO INCORPORATED PACKAGING MACHINES AND SYSTEMS		23721 M60 W. - HOMER, MI 49245 PHONE: (517) 568-4121 FAX: (517) 568-4799
ENG. BY: DRV DRAWN BY: DRV	W.D. NO.: M8004844 VIA	MODEL: E-PAC DATE: 9/27/04
TITLE: 120 VAC 24 VDC DISTRIBUTION E-PAC PACKAGER W/ STD OPTIONS		
SECTION:	DRAWING NUMBER: C0001378	PAGE NUMBER: 15

ENG. BY: DRV	W.D. NO.: M8004844	MODEL: E-PAC	TITLE: 120 VAC 24 VDC DISTRIBUTION E-PAC PACKAGER W/ STD OPTIONS	SECTION:	DRAWING NUMBER: C0001378	PAGE NUMBER: 15
DRAWN BY: DRV	VIA	DATE: 9/27/04				

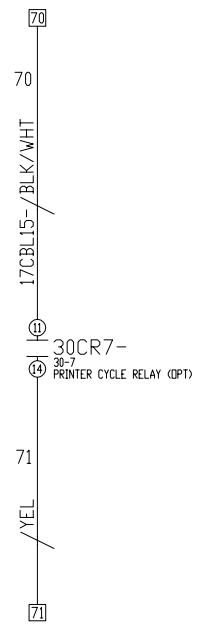
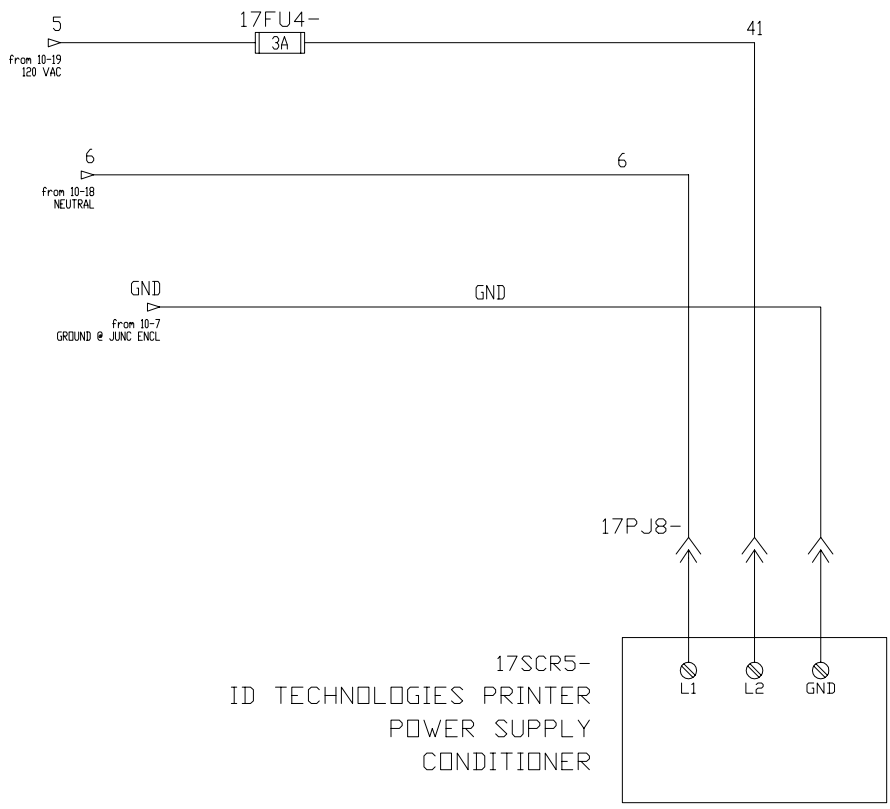
1 | 2 | 3 | 4 | 5 | 6 | 7 | 8 | 9 | 10 | 11 | 12 | 13 | 14 | 15 | 16 | 17 | 18 | 19 | 20 |



This drawing and all information contained herein is the property of Renngo, Inc. and is confidential and must not be made public or reproduced by any means unless authorized by Renngo, Inc. and is subject to return upon demand.

 RENNGO INCORPORATED PACKAGING MACHINES AND SYSTEMS		23721 M60 W. - HOMER, MI 49245 PHONE: (517) 568-4121 FAX: (517) 568-4799	
ENG. BY: DRV DRAWN BY: DRV	W.D. NO.: M8004844 VIA	MODEL: E-PAC DATE: 9/27/04	TITLE: 24 VDC POWER E-PAC PACKAGER W/ STD OPTIONS
		DRAWING NUMBER: C0001378	PAGE NUMBER: 16

ENG. BY: DRV	W.D. NO.: M8004844	MODEL: E-PAC	TITLE: 24 VDC POWER	SECTION:	DRAWING NUMBER: C0001378	PAGE NUMBER: 16
DRAWN BY: DRV	VIA	DATE: 9/27/04	E-PAC PACKAGER W/ STD OPTIONS			



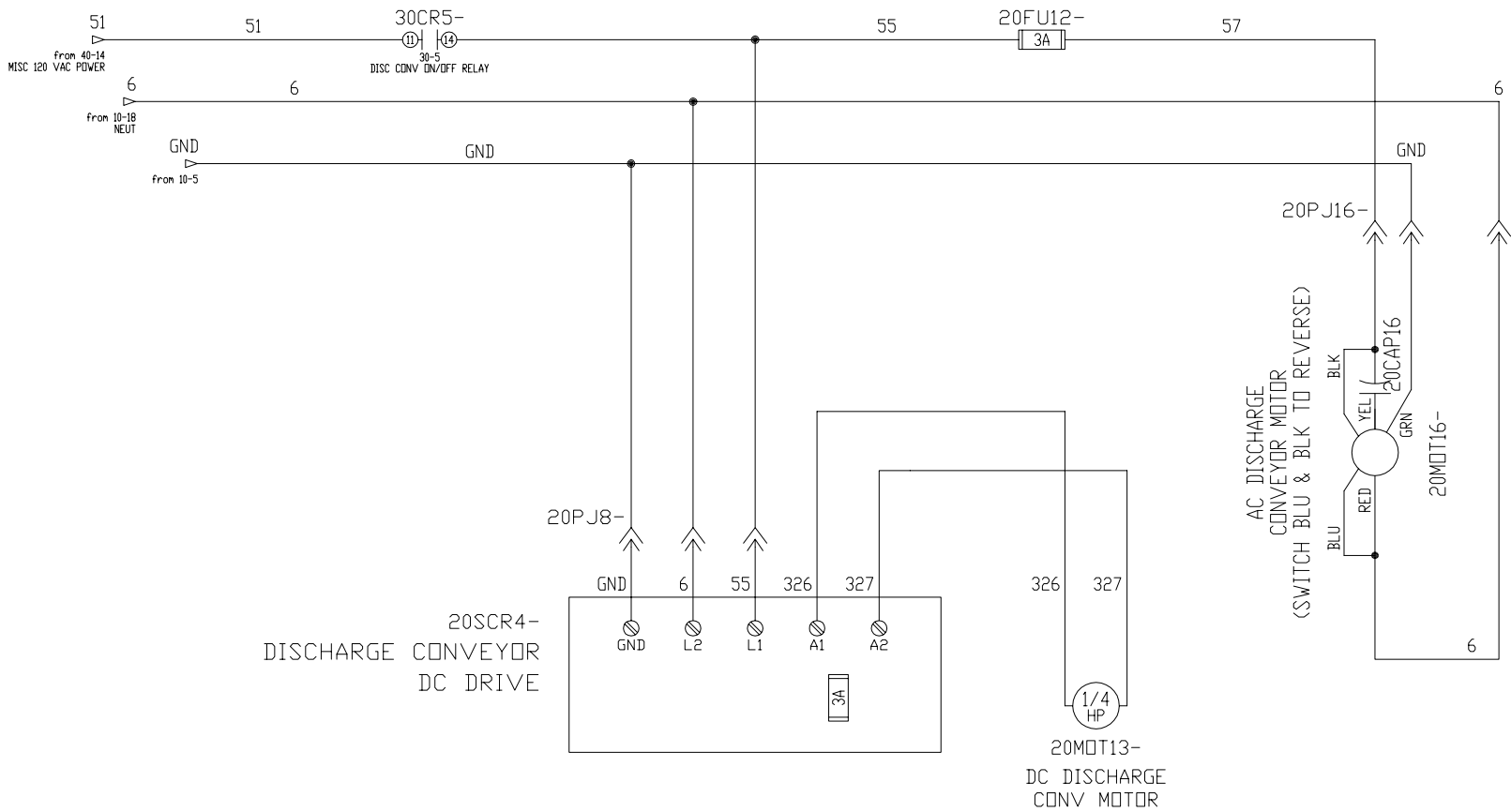
① ADDED SHEET #17 TO PROJECT FOR PRINTER OPTION. / 2-15-05 / DRV

This drawing and all information contained herein is the property of Renngo, Inc. and is confidential and must not be made public or reproduced by any means unless authorized by Renngo, Inc. and is subject to return upon demand.


 RENNGO INCORPORATED PACKAGING MACHINES AND SYSTEMS		23721 M60 W. - HOMER, MI 49245 PHONE: (517) 568-4121 FAX: (517) 568-4799
ENG. BY: DRV DRAWN BY: DRV	W.D. NO.: M8004844 VIA	MODEL: E-PAC DATE: 9/27/04
TITLE: ID TECHNOLOGIES PRINTER E-PAC PACKAGER W/ STD OPTIONS		
SECTION:	DRAWING NUMBER: C0001378	PAGE NUMBER: 17

ENG. BY: DRV	W.D. NO.: M8004844	MODEL: E-PAC	TITLE: ID TECHNOLOGIES PRINTER	SECTION:	DRAWING NUMBER: C0001378	PAGE NUMBER: 17
DRAWN BY: DRV	VIA	DATE: 9/27/04	E-PAC PACKAGER W/ STD OPTIONS			

1 | 2 | 3 | 4 | 5 | 6 | 7 | 8 | 9 | 10 | 11 | 12 | 13 | 14 | 15 | 16 | 17 | 18 | 19 | 20 |

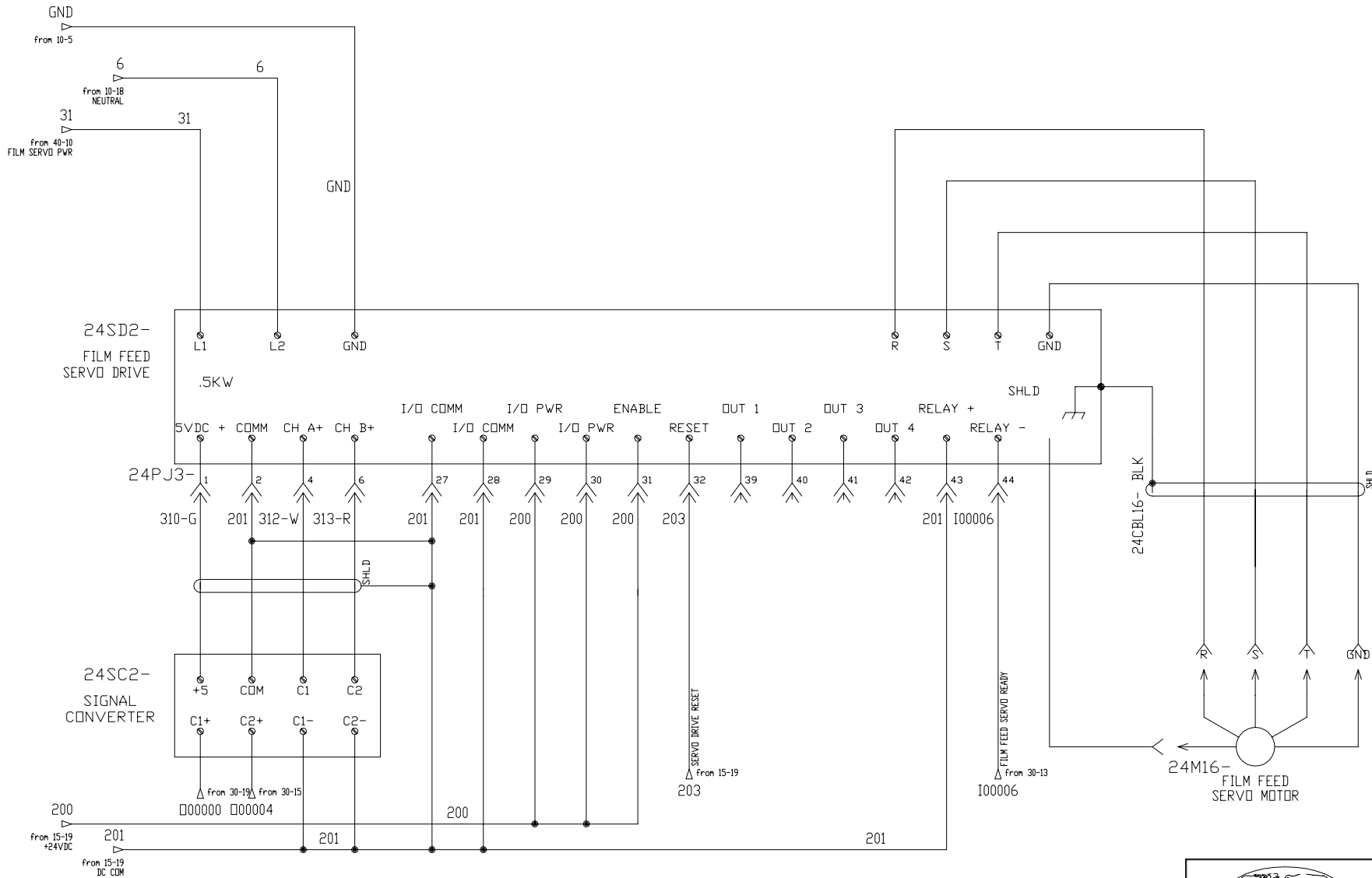


This drawing and all information contained herein is the property of Rennco, Inc. and is confidential and must not be made public or reproduced by any means unless authorized by Rennco, Inc. and is subject to return upon demand.

 RENNCO INCORPORATED PACKAGING MACHINES AND SYSTEMS		PHONE: (517) 568-4121 FAX: (517) 568-4799
23721 M60 W. - HOMER, MI 49245		DRAWING NUMBER: C0001378
DATE: 9/27/04		PAGE NUMBER: 20

ENG. BY: DRV	W.D. NO.: M8004844	MODEL: E-PAC	TITLE: DISCHARGE CONV - STANDALONE - DC & AC E-PAC PACKAGER W/ STD OPTIONS	SECTION:
DRAWN BY: DRV	VIA	DATE: 9/27/04		

1 | 2 | 3 | 4 | 5 | 6 | 7 | 8 | 9 | 10 | 11 | 12 | 13 | 14 | 15 | 16 | 17 | 18 | 19 | 20 |

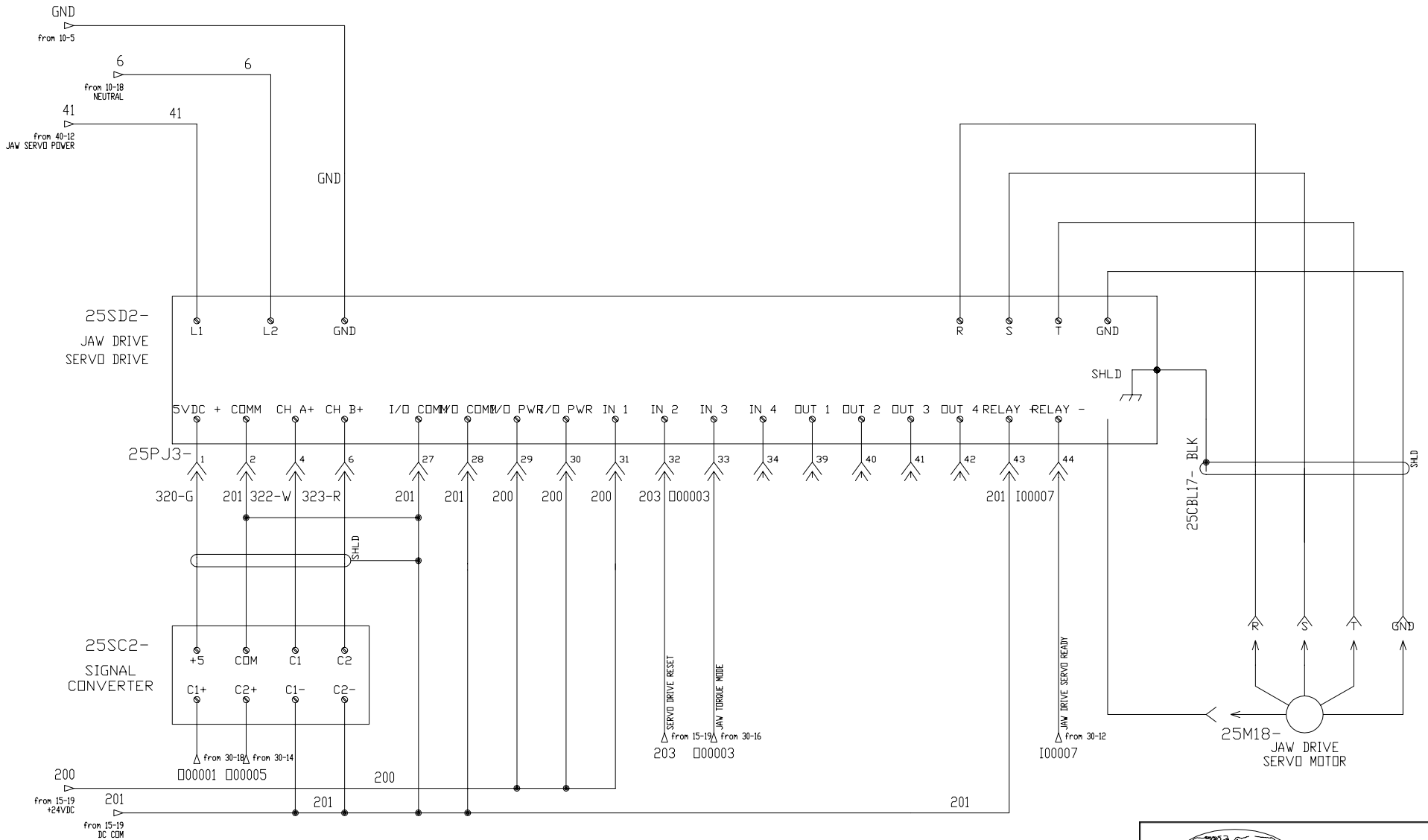


This drawing and all information contained herein is the property of Rennco, Inc. and is confidential and must not be made public or reproduced by any means unless authorized by Rennco, Inc. and is subject to return upon demand.

 RENNCO INCORPORATED PACKAGING MACHINES AND SYSTEMS		PHONE: (517) 568-4121 FAX: (517) 568-4799
23721 M60 W. - HOMER, MI 49245		
DRAWING NUMBER: C0001378	PAGE NUMBER: 24	

ENG. BY: DRV	W.D. NO.: M8004844	MODEL: E-PAC	TITLE: FILM FEED SERVO E-PAC PACKAGER W/ STD OPTIONS	SECTION:
DRAWN BY: DRV	VIA	DATE: 9/27/04		

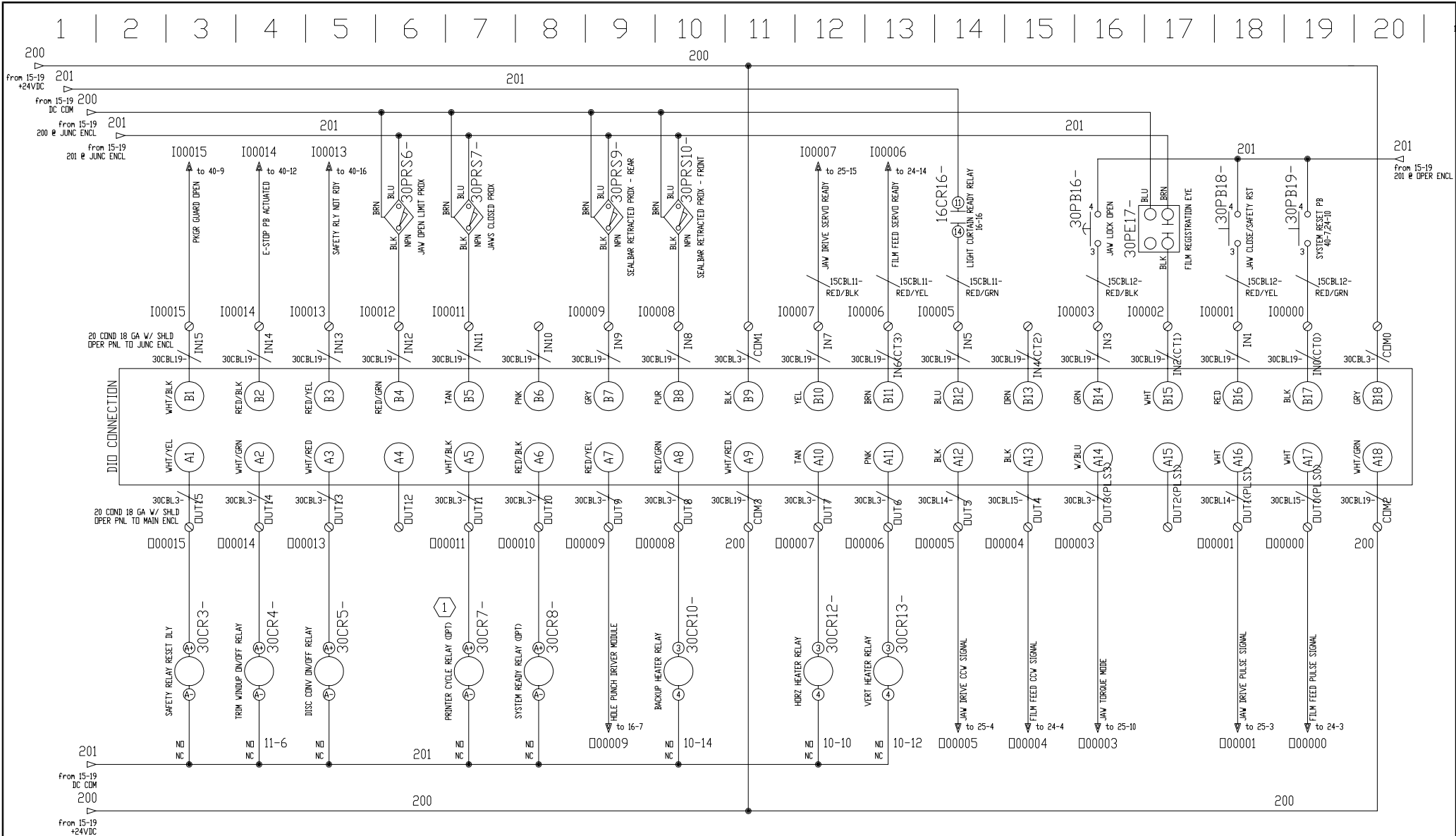
1 | 2 | 3 | 4 | 5 | 6 | 7 | 8 | 9 | 10 | 11 | 12 | 13 | 14 | 15 | 16 | 17 | 18 | 19 | 20 |



This drawing and all information contained herein is the property of Rennco, Inc. and is confidential and must not be made public or reproduced by any means unless authorized by Rennco, Inc. and is subject to return upon demand.

 RENNCO INCORPORATED PACKAGING MACHINES AND SYSTEMS		PHONE: (517) 568-4121 FAX: (517) 568-4799
23721 M60 W. - HOMER, MI 49245		
DRAWING NUMBER: C0001378	PAGE NUMBER: 25	

ENG. BY: DRV	W.D. NO.: M8004844	MODEL: E-PAC	TITLE: JAW DRIVE SERVO E-PAC PACKAGER W/ STD OPTIONS	SECTION:	DRAWING NUMBER: C0001378	PAGE NUMBER: 25
DRAWN BY: DRV VIA	DATE: 9/27/04					



① ADDED PRINTER CYCLE RELAY OPTION. / 2-15-05 / DRV

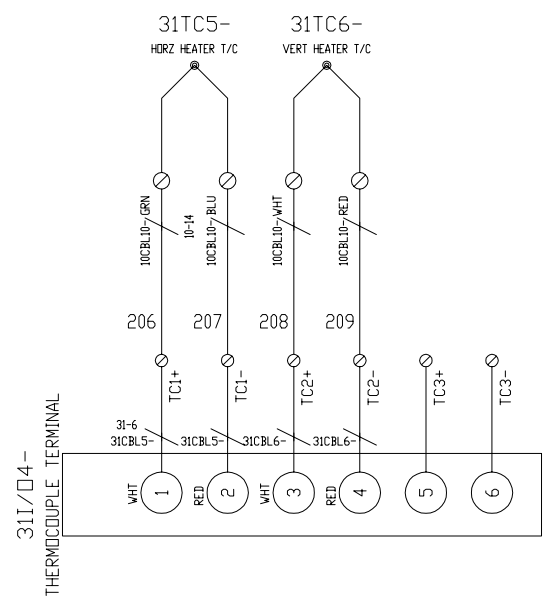
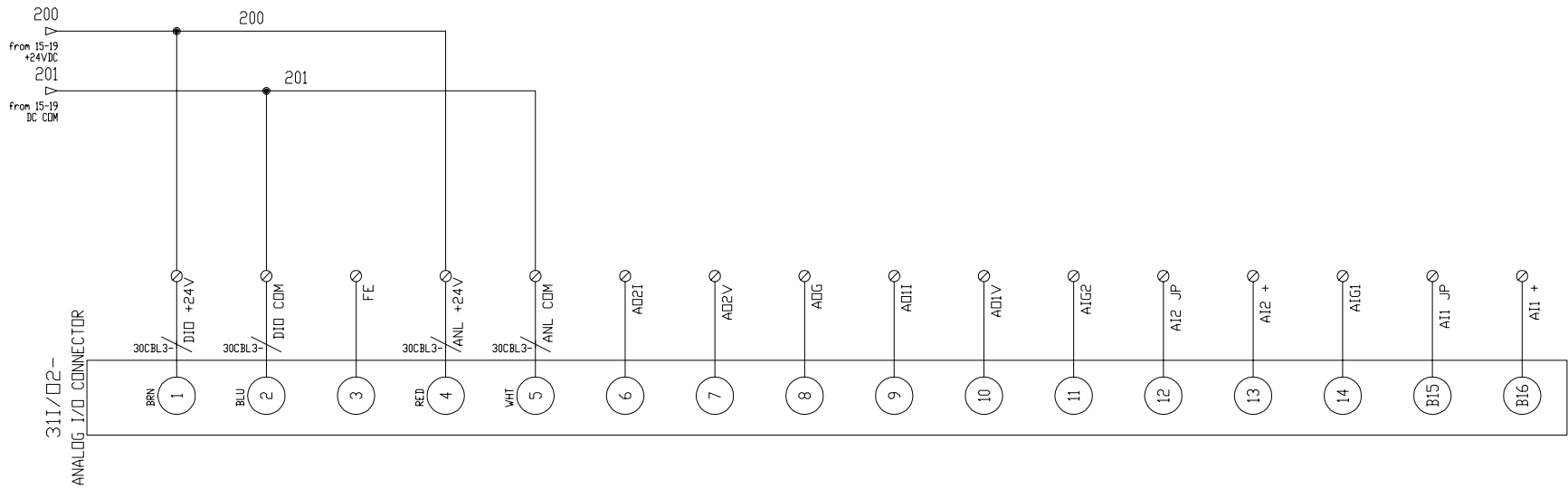
This drawing and all information contained herein is the property of Renngo, Inc. and is confidential and must not be made public or reproduced by any means unless authorized by Renngo, Inc. and is subject to return upon demand.

RENNGO INCORPORATED
PACKAGING MACHINES AND SYSTEMS

23721 M60 W. - HOMER, MI 49245 PHONE: (517) 568-4121
 FAX: (517) 568-4799

ENG. BY: DRV	W.D. NO.: M8004844	MODEL: E-PAC	TITLE: DIO CONNECTOR E-PAC PACKAGER W/ STD OPTIONS	SECTION:	DRAWING NUMBER: C0001378	PAGE NUMBER: 30
DRAWN BY: DRV VIA		DATE: 9/27/04				

1 | 2 | 3 | 4 | 5 | 6 | 7 | 8 | 9 | 10 | 11 | 12 | 13 | 14 | 15 | 16 | 17 | 18 | 19 | 20 |



This drawing and all information contained herein is the property of Rennco, Inc. and is confidential and must not be made public or reproduced by any means unless authorized by Rennco, Inc. and is subject to return upon demand.



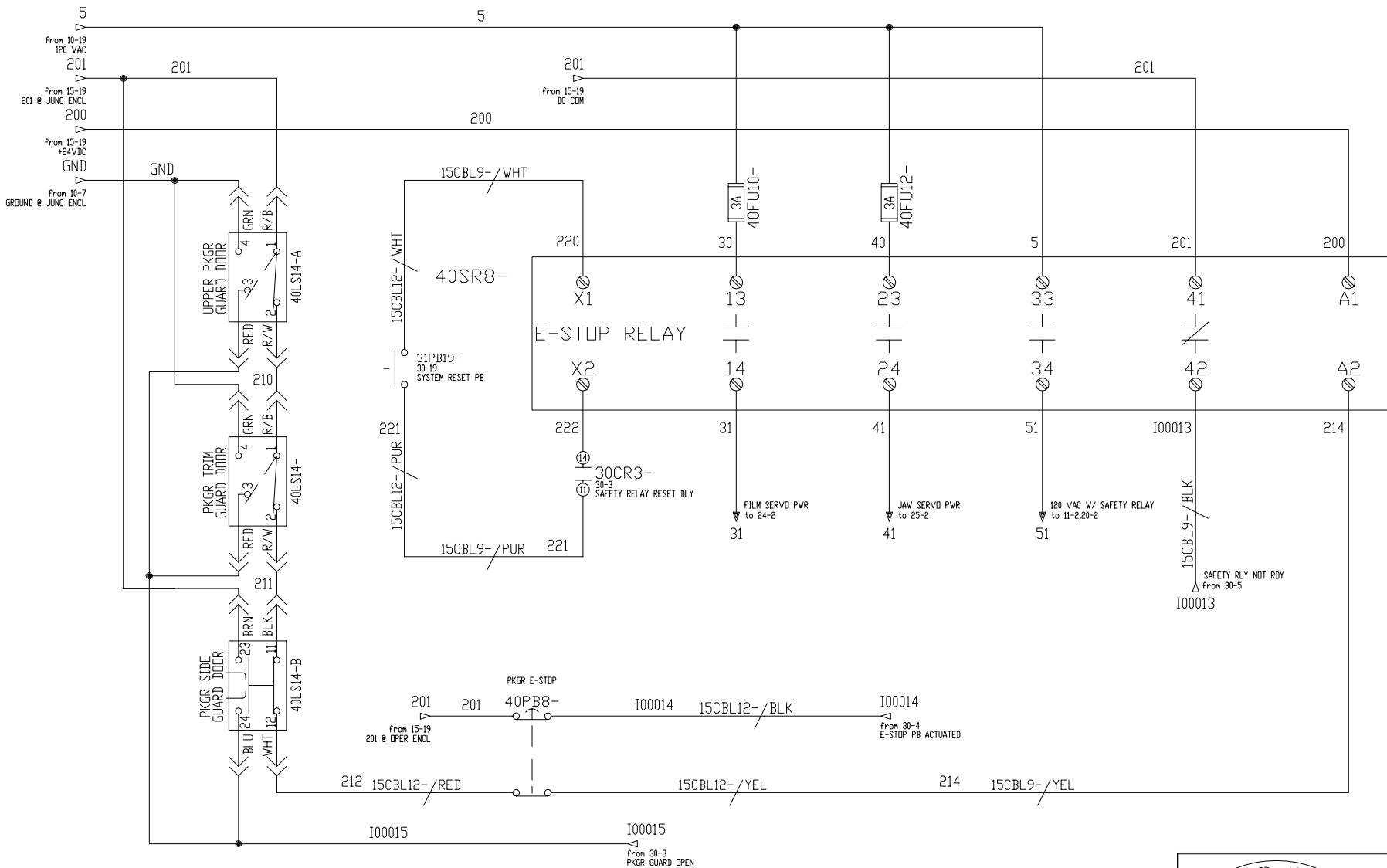
RENNCO INCORPORATED
PACKAGING MACHINES AND SYSTEMS

23721 M60 W. - HOMER, MI 49245 PHONE: (517) 568-4121
FAX: (517) 568-4799

DRAWING NUMBER: C0001378	PAGE NUMBER: 31
------------------------------------	---------------------------

ENG. BY: DRV	W.D. NO.: M8004844	MODEL: E-PAC	TITLE: ANALOG I/O & THERMOCOUPLE CONNECTORS E-PAC PACKAGER W/ STD OPTIONS	SECTION:	DRAWING NUMBER: C0001378	PAGE NUMBER: 31
DRAWN BY: DRV	VIA	DATE: 9/27/04				

1 | 2 | 3 | 4 | 5 | 6 | 7 | 8 | 9 | 10 | 11 | 12 | 13 | 14 | 15 | 16 | 17 | 18 | 19 | 20 |



This drawing and all information contained herein is the property of Renngo, Inc. and is confidential and must not be made public or reproduced by any means unless authorized by Renngo, Inc. and is subject to return upon demand.

 RENNGO INCORPORATED PACKAGING MACHINES AND SYSTEMS		PHONE: (517) 568-4121 FAX: (517) 568-4799
23721 M60 W. - HOMER, MI 49245		DRAWING NUMBER: C0001378
ENG. BY: DRV M8004844 DRAWN BY: DRV VIA		PAGE NUMBER: 40

ENG. BY: DRV M8004844 DRAWN BY: DRV VIA	W.D. NO.: M8004844 DATE: 9/27/04	MODEL: E-PAC TITLE: PKGR GUARD RELAY E-PAC PACKAGER W/ STD OPTIONS	SECTION:
--	-------------------------------------	--	----------

This drawing and all information contained herein is the property of Rennco, Inc. and is confidential and must not be made public or reproduced by any means unless authorized by Rennco, Inc. and is subject to return upon demand.

 **RENNCO** INCORPORATED
PACKAGING MACHINES AND SYSTEMS
23721 M60 W. - HOMER, MI 49245 PHONE: (517) 568-4121
FAX: (517) 568-4799

ENG. BY: DRV	W.D. NO. M8004844	MODEL: E-PAC	TITLE: BOM	SECTION:	DRAWING NUMBER: C0001378	PAGE NUMBER: 50
DRAWN BY: DRV	VIA	DATE: 9/27/04	E-PAC PACKAGER W/ STD OPTIONS			

20 COND DC WIRE -
MAIN ENCLOSURE TO
OPERATOR PANEL
CABLE #30CBL3

200 - BRN
200 - RED
200 - GRY
200 - BLK
SPARE - DRN
201 - BLU
201 - WHT
201 - YEL
202 - PUR
000006 - PNK
000007 - TAN
000008 - RED/GRN
000009 - RED/YEL
000010 - RED/BLK
000011 - WHT/BLK
000013 - WHT/RED
000014 - WHT/GRN
000015 - WHT/YEL
000003 - WHT/BLU
GND - GRN

20 COND DC WIRE -
OPERATOR PANEL TO
JUNCTION ENCLOSURE
CABLE #30CBL19

I00000 - BLK
I00001 - RED
I00002 - WHT
I00003 - GRN
I00004 - DRN
I00005 - BLU
I00006 - BRN
I00007 - YEL
I00008 - PUR
I00009 - GRY
I00010 - PNK
I00011 - TAN
I00012 - RED/GRN
I00013 - RED/YEL
I00014 - RED/BLK
I00015 - WHT/BLK
200 - WHT/RED
200 - WHT/GRN
SPARE - WHT/YEL
SPARE - WHT/BLU

15 COND DC WIRE -
MAIN ENCLOSURE TO
JUNCTION ENCLOSURE
CABLE #15CBL9

200 - BRN
201 - BLU
203 - DRN
SPARE - RED
214 - YEL
220 - WHT
221 - PUR
SPARE - GRY
SPARE - PNK
SPARE - TAN
I00005 - RED/GRN
I00006 - RED/YEL
I00007 - RED/BLK
I00013 - BLK
GND - GRN

15 COND DC WIRE -
OPER ENCLOSURE TO
JUNCTION ENCLOSURE
CABLE #15CBL12

200 - BRN
201 - BLU
203 - DRN
212 - RED
214 - YEL
220 - WHT
221 - PUR
SPARE - GRY
SPARE - PNK
SPARE - TAN
I00000 - RED/GRN
I00001 - RED/YEL
I00003 - RED/BLK
I00014 - BLK
GND - GRN

3 COND SJO WIRE -
MAIN ENCLOSURE
TO TRIM WIND-UP
CABLE #11CBL6

53 - BLK
6 - WHT
GROUND - GRN

4 COND WIRE -
OPERATOR PANEL TO
FILM SERVO DRIVE
CABLE #30CBL15

000000 - WHT
000004 - BLK

2 COND WIRE -
OPERATOR PANEL TO
JAW SERVO DRIVE
CABLE #30CBL14

000001 - WHT
000005 - BLK

2 COND HORZ HEATER
THERMOCOUPLE WIRE -
OPERATOR PANEL TO
MAIN ENCLOSURE
CABLE #31CBL5

206 - WHT
207 - RED
GND - SHLD

2 COND VERT HEATER
THERMOCOUPLE WIRE -
OPERATOR PANEL TO
MAIN ENCLOSURE
CABLE #31CBL6

208 - WHT
209 - RED
GND - SHLD

8 COND (4 TWISTED PAIR)
HEATER CONTROL WIRE -
MAIN ENCLOSURE TO
HEATER JUNC ENCLOSURE
CABLE #10CBL10

6 - BLK W/ GRN
8 - BLK W/ BLU
6 - BLK W/ WHT
10 - BLK W/ RED
206 - GRN
207 - BLU
208 - WHT
209 - RED
GND - SHLD

CBL	SH	MFG	CAT	DESC1	DESC2
10CBL10-	10	BELDON	9157	8 COND 18 GA (4 TWISTED PAIR)	MAIN ENCL TO HTR ENCL
11CBL6-	11	CARDL	SJO 16-3	3 COND 16 GA SJO	MAIN ENCL TO TRIM
15CBL12-	15	ALPHA	5170/15C	15 COND 18 GA W/ SHLD	JUNC ENCL TO OPER ENCL
15CBL9-	15	ALPHA	5170/15C	15 COND 18 GA W/ SHLD	MAIN ENCL TO JUNC ENCL
24CBL16-	24	A-B	2090-UXNPAMP-16S01	FILM SERVO	MOTOR CABLE
25CBL16-	25	A-B	2090-UXNPAMP-16S01	JAW DRIVE SERVO	MOTOR CABLE
30CBL14-	30	CARDL	C2514	2 COND 22 GA W/ SHLD	OPER PNL TO MAIN ENCL
30CBL15-	30	CARDL	C2514	2 COND 22 GA W/ SHLD	OPER PNL TO MAIN ENCL
30CBL19-	30	ALPHA	5170/20C	20 COND 18 GA W/ SHLD	OPER PNL TO JUNC ENCL
30CBL3-	30	ALPHA	5170/20C	20 COND 18 GA W/ SHLD	OPER PNL TO MAIN ENCL
31CBL5-	31	T/C WIRE	5711/2001	TYPE J T/C WIRE W/ SHLD	OPER PNL TO MAIN ENCL
31CBL6-	31	T/C WIRE	5711/2001	TYPE J T/C WIRE W/ SHLD	OPER PNL TO MAIN ENCL

This drawing and all information contained herein is the property of Renngo, Inc. and is confidential and must not be made public or reproduced by any means unless authorized by Renngo, Inc. and is subject to return upon demand.



RENNGO INCORPORATED
PACKAGING MACHINES AND SYSTEMS

23721 M60 W. - HOMER, MI 49245 PHONE: (517) 568-4121
FAX: (517) 568-4799

DRAWING NUMBER: C0001378	PAGE NUMBER: 51
------------------------------------	---------------------------

ENG. BY: DRV	W.D. NO.: M8004844	MODEL: E-PAC	TITLE: SPECIAL CABLES	SECTION:
DRAWN BY: DRV	VIA	DATE: 9/27/04	E-PAC PACKAGER W/ STD OPTIONS	